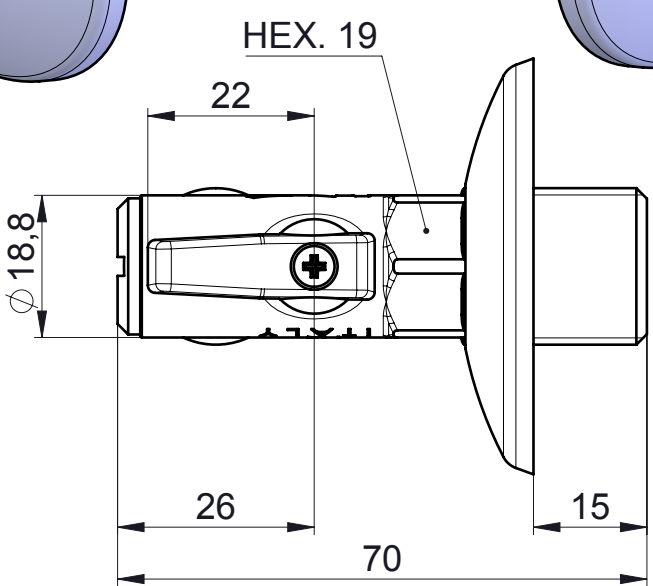
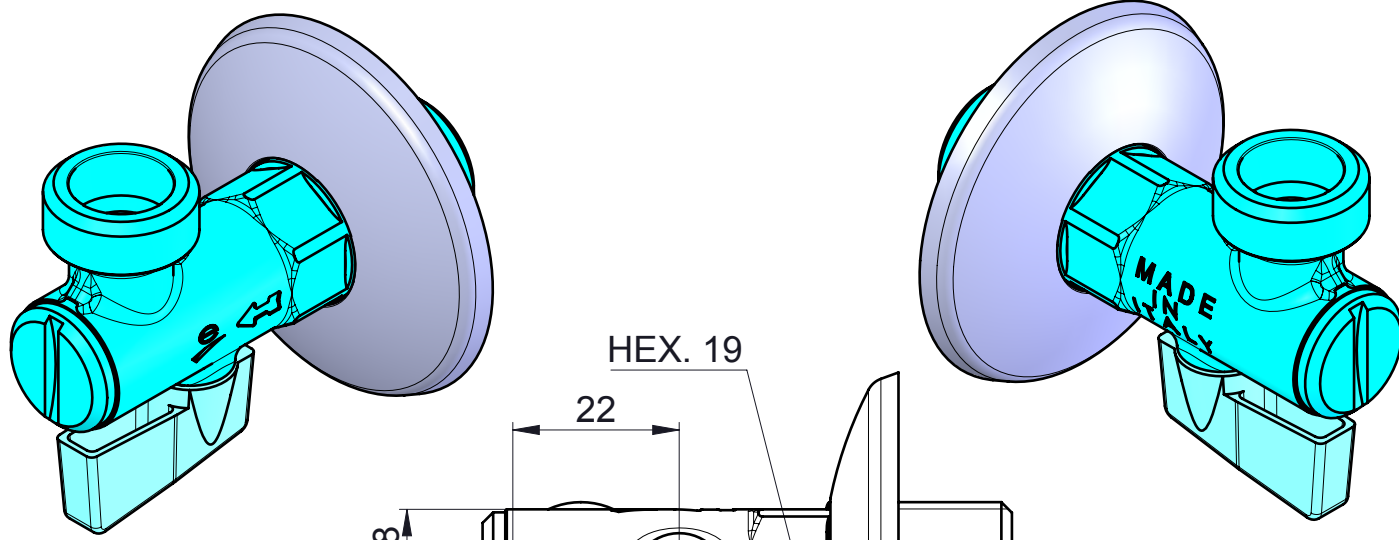


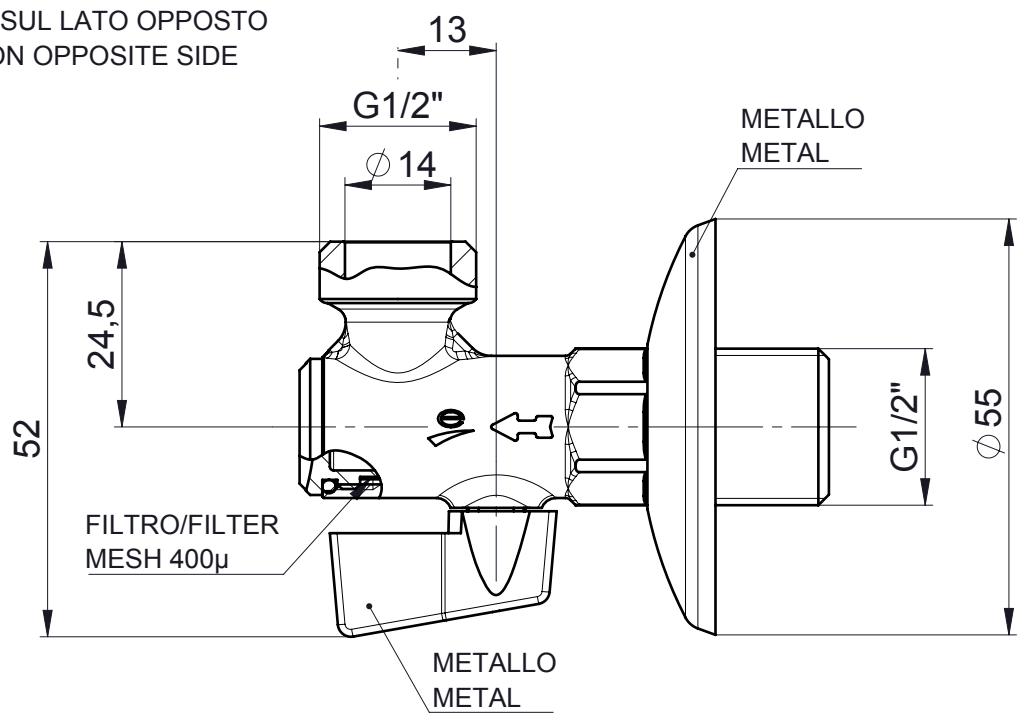
The exclusive ownership of this drawing is of Eurotermo Srl and in no case does the recipient acquire any rights relating to it. The recipient of the drawing undertakes to maintain maximum confidentiality on the same and not to make any use of it, in whole or in part, that is not previously authorized in writing by Eurotermo Srl. The recipient also undertakes to impose and guarantee compliance with the aforementioned obligations to its employees and / or collaborators, including external ones, by responding to Eurotermo Srl of any violations on their part.

<b>Normative / Stds reference</b> UNI EN 13828:2004	<b>Condizioni di utilizzo / Terms of Use</b>		
<b>Compatibilità / Compatibility</b> UBA list	Acqua Pressione massima 10bar Temperatura massima in continuo 70°C Temperatura di picco 90°C Temperatura minima -10°C No SHOCK termico Funzionalità garantita solo a valvola aperta o chiusa, non parzialmente aperta o chiusa	Water Maximum pressure 10bar Maximum temperature in continuous 70°C Peak temperature 90°C Minimum temperature -10°C No thermal SHOCK Functionality is guaranteed only with open or closed valve, not partially open or closed	
<b>Certificazioni / Homologations</b> -			



**MADE IN ITALY**

MARCATURA SUL LATO OPPOSTO  
MARKING ON OPPOSITE SIDE



Per confezionamento vedere specifica imballo / For packaging please refer to packaging instruction:

	DISEGNATO/DRAWN S. Murari	DATA/DATE 28/01/2020	APPROVATO/CHECKED M.S.	DATA/DATE 28/01/2020	SCALA/SCALE 1:1	FORMAT A4 Datasheet
	MATERIALE BASE/BASE MATERIAL UNI EN 12165 CW617N-DW	ASPETTO / APPEARANCE CROMATO / CHROME PLATED				
TENUTA SFERA/SPHERE SEAL NBR 70Sha O-ring			TENUTA ASTA/SPINDLE SEAL NBR 70Sha O-ring			
NUM.DIS/DRAW.-NR. <b>50000023-DS</b>		DESCRIZIONE/DESCRIPTION <b>VALVOLA A SFERA SOTTOLAVABO DN8 G1/2"M x G1/2"M CON ROSONE UNDERSINK BALL VALVE DN8 G1/2"M x G1/2"M WITH ROUNDING</b>				