

REMER

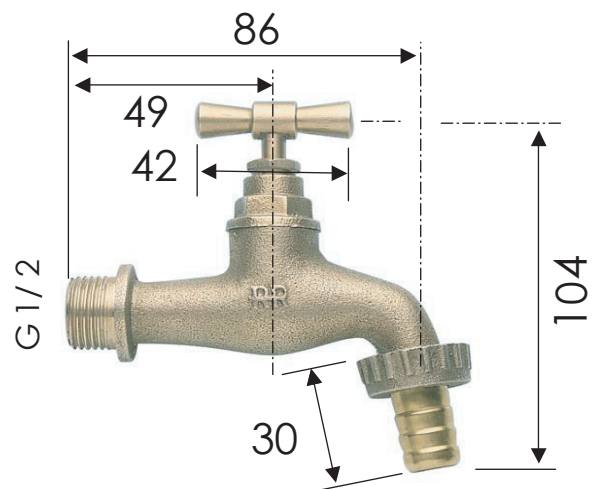
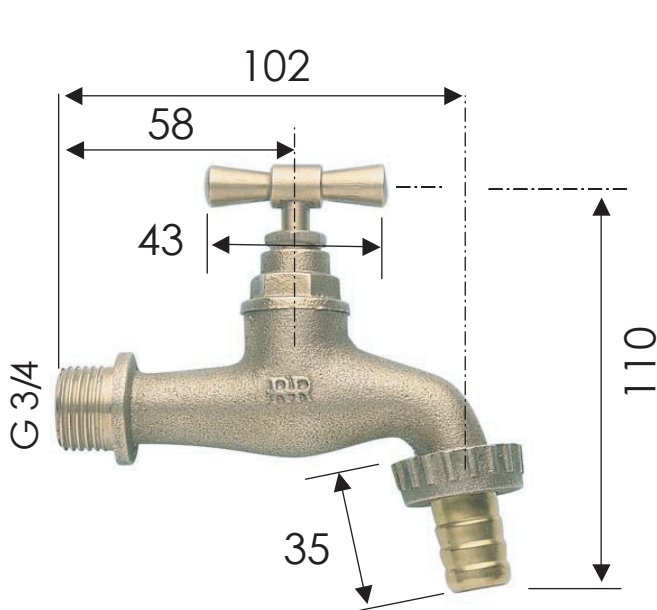
RUBINETTERIE

SCHEDA TECNICA

TECHNICAL FEATURES

ART. COD.

200 3/4 1/2

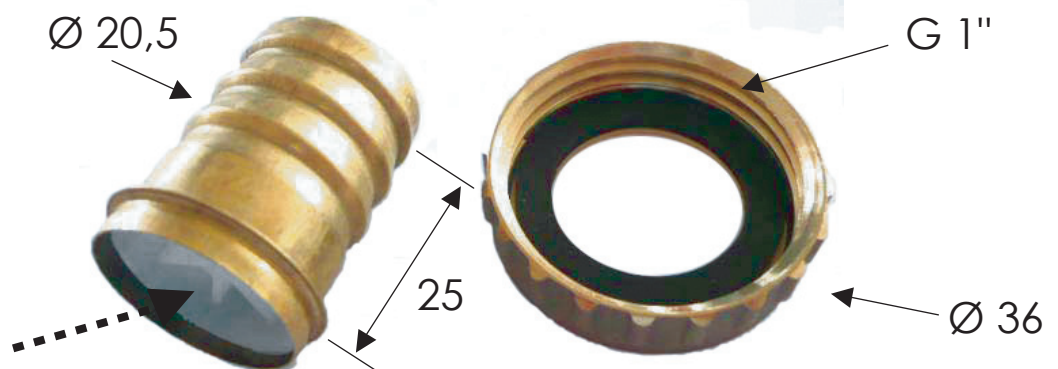


MATERIALI / MATERIALS

OTTONE / BRASS NBR

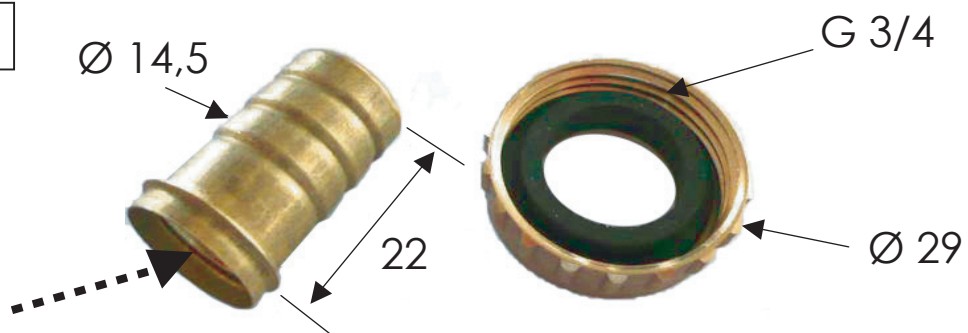
209 34

ROMPIGETTO
INTERNO
INSIDE
FLOW
STRAIGHTENER



209 12

ROMPIGETTO
INTERNO
INSIDE
FLOW
STRAIGHTENER



Via Leonardo da Vinci 83 - 20062 Cassano d'Adda (MI) Italy - Tel. +39-0363 364211

info@remer.eu

www.remer.eu