

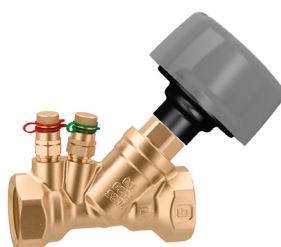
Balancing valves



01251/20 EN

replaces dp 01251/17 GB

130 series



Function

Balancing valves are hydraulic devices used for accurately regulating the flow rate of the thermal medium supplying the terminal emitters of a system.

Correct balancing of the hydraulic circuits is essential to guarantee system operation according to design specifications, high thermal comfort and low energy consumption.

On 130 series threaded valves, the flow rate is measured with a Venturi device, housed inside the valve body. This device guarantees balancing accuracy and is extremely practical to use during setting.



For threaded versions only

Product range

130 series Balancing valve with Venturi device Threaded version _____ sizes DN 15 (1/2"), DN 20 (3/4"), DN 25 (1"), DN 32 (1 1/4"), DN 40 (1 1/2"), DN 50 (2")
 130 series Balancing valve. Flanged version _____ sizes DN 65, DN 80, DN 100, DN 125, DN 150, DN 200, DN 250, DN 300

130 series Shell insulation for threaded balancing valves with Venturi device

Technical specifications

series 130	threaded	130 flanged
Materials Body: Cover: Control stem: Obturator: Seal seat: Hydraulic seals: Obturator seal: Knob: Pressure test ports:	dezincification-resistant alloy CR EN 12165 CW602N dezincification-resistant alloy CR EN 12165 CW511L dezincification-resistant alloy CR EN 12164 CW724R stainless steel (AISI 303) dezincification-resistant alloy CR EN 12165 CW602N EPDM PTFE PA6G30 brass body with EPDM seal elements	cast iron EN-GJL-250 cast iron EN-GJL-250 DN 250 - DN 300: ductile cast iron EN GJS 500-7 brass EN 12164 CW614N PPS cast iron EN-GJL-250 EPDM EPDM - DN 65-80-100-250-300: PA DN 125 - DN 150 - DN 200: stamped steel brass body with EPDM seal elements
Performance Medium: Max. percentage of glycol: Max. working pressure: Working temperature range: Accuracy: Number of adjustment turns:	water, non-hazardous glycol solutions excluded from the guidelines of directive 67/548/EC 50 % 16 bar -20–120 °C ±10 % 5	water, non-hazardous glycol solutions excluded from the guidelines of directive 67/548/EC 50 % 16 bar -10–140 °C -10–120 °C (DN 250 - DN 300) ±10 % DN 65, DN 80 E DN 100: 6 ; DN 125: 11 ; DN 150: 14 DN 200: 12 ; DN 250 and DN 300: 10
Connections - main: - valve body pressure test ports:	1/2" – 2" F (ISO 228-1) 1/4" F (ISO 228-1)	DN 65, 80, 100, 125, 150, 200, 250, 300; PN 16 - EN 1092-2 1/4" F (ISO 228-1)

Technical specifications of insulation

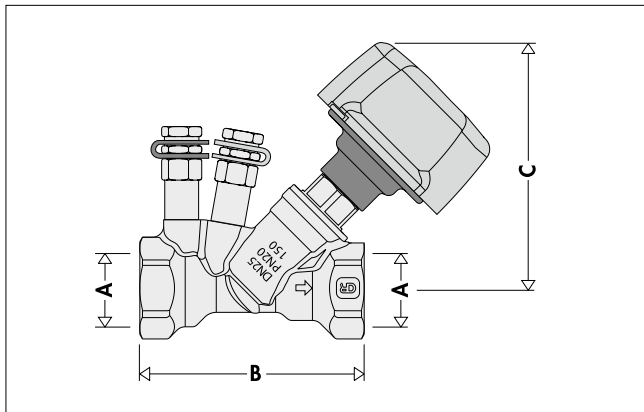
Material

Material: closed cell expanded PE-X
 Thickness: 15 mm
 Density: - inner part: 30 kg/m³
 - outer part: 80 kg/m³

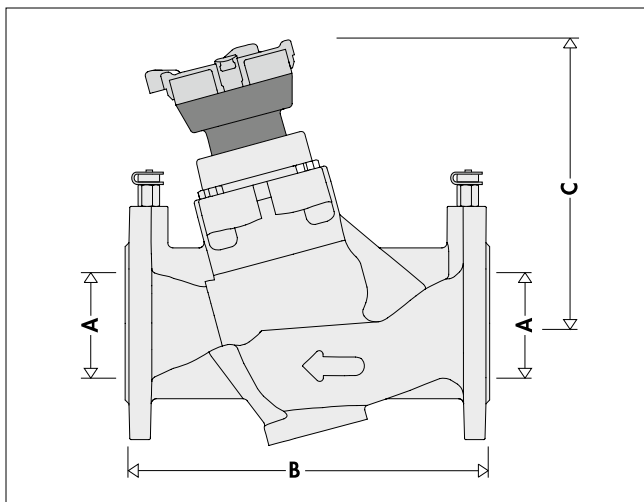
Thermal conductivity (ISO 2581):
 - at 0 °C: 0,038 W/(m·K)
 - at 40 °C: 0,045 W/(m·K)

Coefficient of resistance to water vapour diffusion (DIN 52615): >1.300
 Working temperature range: 0–100 °C
 Reaction to fire (DIN 4102): class B2

Dimensions



Code	DN	A	B	C	Mass (kg)
130400	15	1/2"	77	104	0,57
130500	20	3/4"	82	104	0,61
130600	25	1"	97	107	0,75
130700	32	1 1/4"	115	114	1,05
130800	40	1 1/2"	129	120	1,27
130900	50	2"	152	132	1,85

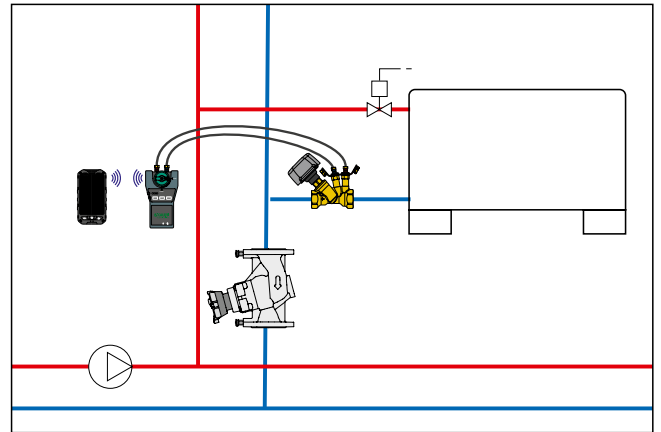


Code	A	B	C	Mass (kg)
130062	DN 60	290	230	17,7
130082	DN 80	310	242	19,9
130102	DN 100	350	280	26
130122	DN 125	400	390	36
130152	DN 150	480	415	64,9
130202	DN 200	600	500	84
130250	DN 250	730	525	159
130300	DN 300	850	535	210,5

Advantages of balanced circuits

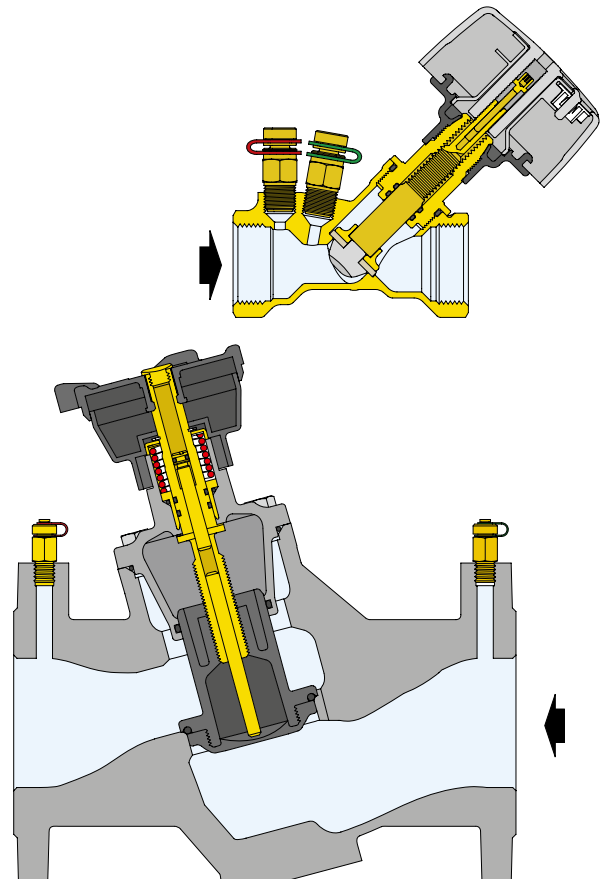
Balanced circuits have the following principal benefits:

1. The terminals of the system operate correctly in heating, cooling and dehumidification without wastage and provide better comfort.
2. The motor pumps run in their highest efficiency zone, thereby reducing the risk of overheating and premature wear.
3. Excessive medium flow speeds, which can result in noise and abrasion, are avoided.
4. The differential pressures acting on the regulation valves are limited, thereby preventing uneven operation.



Operating principle

The balancing valve is a hydraulic device that regulates the flow rate of the medium passing through it. Regulation is performed using a knob that governs the movement of an obturator, to regulate the flow of the medium. The flow rate is controlled according to the Δp value, which is measured with two piezometric connections suitably positioned on the valve.

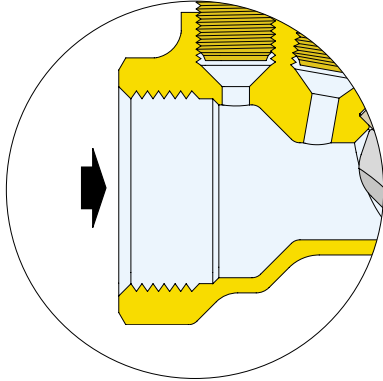


130 series threaded connections

Construction details

Venturi device for flow rate measurement

The 130 series valves of size from 1/2" to 2" are equipped with a flow rate measuring device based on the Venturi principle. It is housed in the valve body and is located upstream of the valve's obturator, as shown in the figure below.



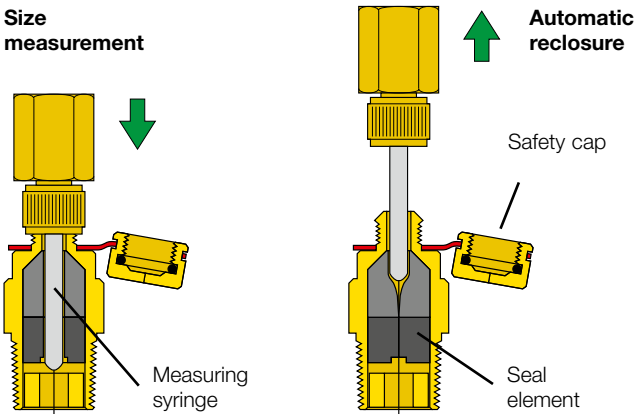
This system provides the following benefits:

1. Provides stable measurement during flow rate regulation. Balancing valves normally have their pressure test ports upstream and downstream of the valve obturator. This means that when the valve is closed to less than 50 % of its full opening, the turbulence created downstream of the obturator causes instability in the pressure signal, causing significant measurement errors.
2. The valves can be installed without leaving excessively long straight sections of pipe downstream.
3. The Venturi system makes for a faster process of measurement and manual circuit balancing. The flow rate is now only a function of the Δp measured upstream and downstream from the fixed orifice of the Venturi meter, upstream from the obturator, and no longer through the entire valve. In practical terms, the only data required for measuring the flow rate in the valves is now Δp , and no longer Δp and the knob position.
4. It makes the flow rate pass through the valve quieter. This is a considerable benefit when we consider the fact that the threaded balancing valve is frequently used in terminals such as fan coil units, installed directly in dwellings.

Quick-fit pressure test ports

The valves are equipped with quick-fit pressure test ports. Measurement is fast and precise with this type of port, using Caleffi 100 series syringe fittings. When removing the measuring syringe, the port closes automatically, preventing water leakage.

Size measurement

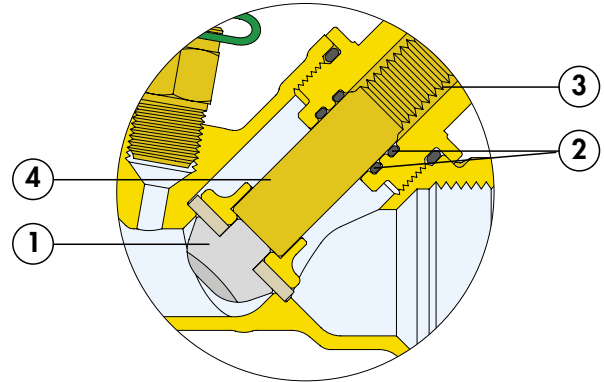


Corrosion-proof materials

130 series balancing valves are made using dezincification resistant alloy, a material that is highly resistant to corrosion and ensures the best performance over time.

Stainless steel obturator

The valve obturator (1) is made of stainless steel. This material offers high resistance to corrosion and deterioration due to friction caused by the continuous flow of water.

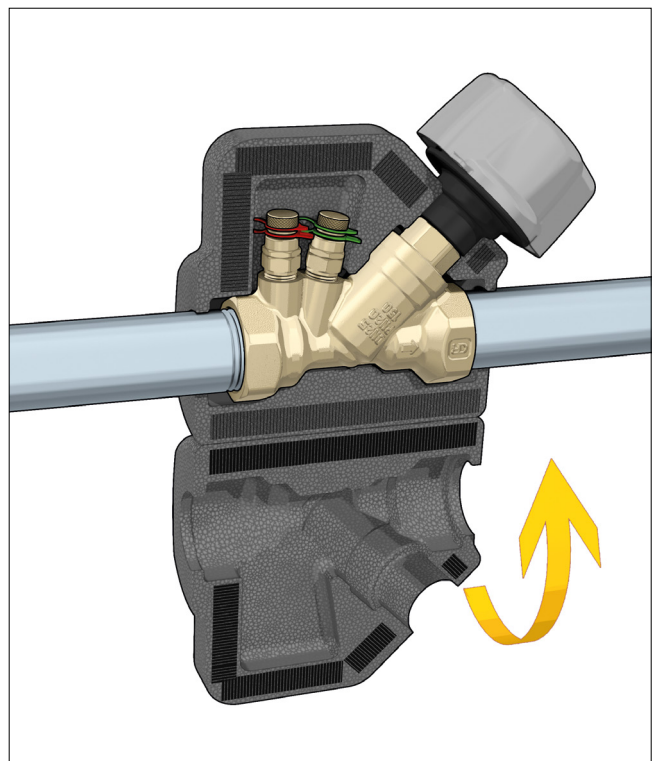


Double internal O-Ring

The double O-Ring hydraulic seal (2) prevents the water from coming into contact with the screw thread (3). This mechanism allows the stem (4) to slide linearly in order to accurately adjust the setting of the obturator (1). Keeping the sliding between the valve stem and body hydraulically insulated keeps the flow rate regulation action and the operation of the knob intact over time.

Insulation

For the threaded balancing valve there is also, available as an accessory, hot pre-formed shell insulation, with Velcro closing. It ensures perfect thermal insulation and tightness against water vapour getting inside from the ambient when using chilled water.



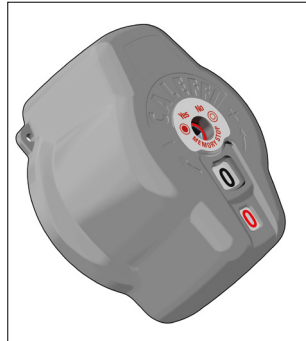
Adjustment knob

The shape of the adjustment knob is the outcome of research into ergonomics to ensure the greatest operator comfort and accurate adjustment.

- The adjustment range with 5 complete turns permits great accuracy when balancing hydraulic circuits.
- The micrometric scale graduations are large and clear, making it easy to refine the flow rate adjustment.
- The knob is made of high-resistance, corrosion-proof, reinforced polymer.

Reference scale for adjustment

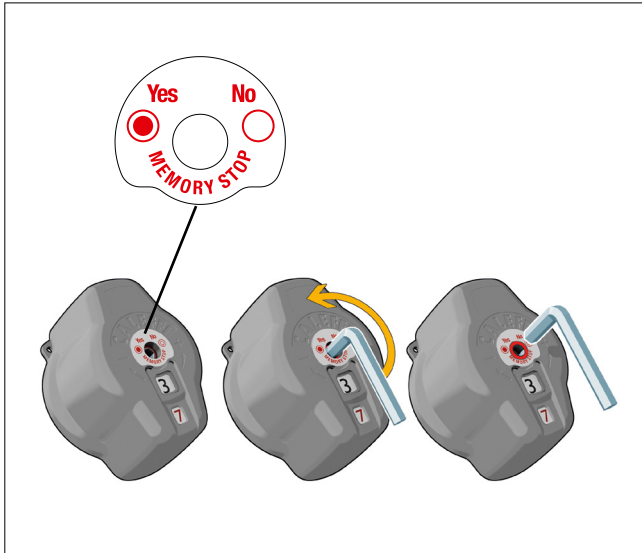
Each 360° clockwise turn of the knob moves the red indicator by one step, from position 0 (valve closed) to position 6 (valve fully open). In addition, the decimal graduations of the black micrometric scale enable further refining of the adjustment.



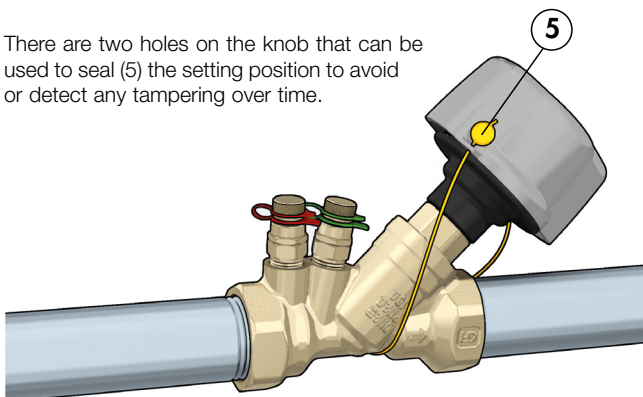
Memory stop/Sealing locking

The valves are equipped with an adjustment position memory system that, after full closure which can be necessary for various reasons, allows easy re-opening at the initial position.

Insert a 2,5 mm hexagonal spanner in the hole, turn counter-clockwise until the red indicator, initially not visible, is aligned with the top edge of the knob, without forcing it.



There are two holes on the knob that can be used to seal (5) the setting position to avoid or detect any tampering over time.



USING AND SETTING THE BALANCING VALVE

The balancing valve is used considering the fluid dynamic characteristics produced by the relationship between the head loss, flow rate and adjustment position of the obturator control knob.

Pre-adjustment

Knowing the value of the pressure drop Δp that needs to be created by the valve with a certain flow rate G , you can obtain the adjustment position number for the knob (PRESETTING). To make this choice you can use the characteristic diagram for each valve size. Or, analytically, you can calculate the corresponding K_v by applying the formula:

$$K_v = \frac{G}{\sqrt{\Delta p}} \quad (1,1)$$

where: G = flow rate in m^3/h

Δp = pressure drop in bar
(1 bar = 100 kPa, 10.000 mm w.g.)

K_v = flow rate in m^3/h through the valve, which corresponds to a pressure drop of 1 bar

and you compare the value obtained with the typical values for each valve size.

It is recommended to choose the valve size so it is pre-set on a medium opening position in order to have room for both opening and closing.

Flow rate measurement

Connect a differential pressure measuring station to the valve's Venturi device pressure test ports. Reading the Δp on the measuring device, you can refer to the characteristic Venturi diagram for the valve being used to obtain the flow rate G .

Or, analytically, you can calculate the flow rate by applying the equation:

$$G = K_{V_{Venturi}} \times \sqrt{\Delta p_{Venturi}} \quad (1.2)$$

Note: The diagram used in this phase is not the one used for pre-adjustment as it refers to the characteristics of $\Delta p_{Venturi}$ -Flow rate of the Venturi device located upstream from the valve, and not those of the entire valve (including the obturator), which instead are indicated in the diagrams used for pre-adjustment.

Manual flow rate adjustment

To manually set the flow rate through the valve, adjust the position of the knob until the differential pressure, indicated by the measurement device, corresponds to the desired flow rate on the characteristic Venturi diagram of the valve that you are using.

Or analytically calculate the head loss of the Venturi device by applying the equation:

$$\Delta p_{Venturi} = \frac{G^2}{K_{V_{Venturi}}^2} \quad (1.3)$$

Then turn the adjustment knob to reach the value of Δp calculated theoretically with the formula (1.3) indicated above.

Note: The diagram used in this phase is not the one used for pre-adjustment as it refers to the characteristics of $\Delta p_{Venturi}$ - Flow rate of the Venturi device inserted in the valve, and not those of the entire valve (including the obturator), which instead are indicated in the diagrams used for pre-adjustment.

Correction for liquids with different densities

The following notes apply to liquids with viscosity $\leq 3^{\circ}E$ (water and glycol mixtures, for example).

If using liquids with densities other than that of water at 20 °C ($\rho = 1 \text{ kg/dm}^3$), the measured pressure drop Δp may be corrected using the formula:

$$\Delta p' = \Delta p / \rho'$$

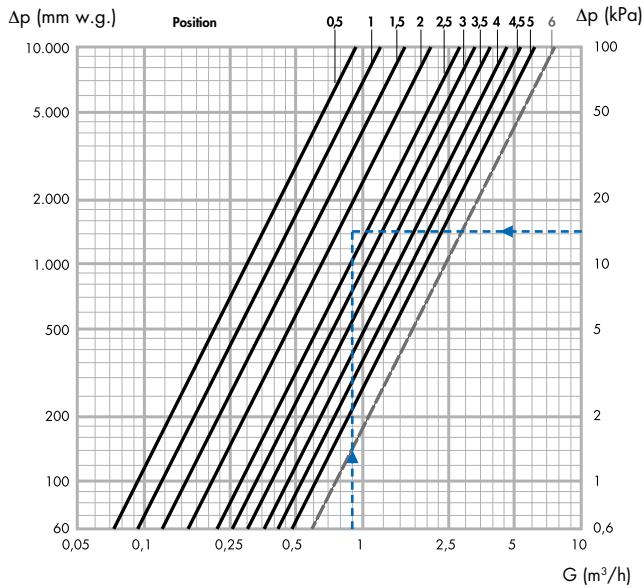
where: $\Delta p'$ = reference pressure drop

Δp = measured pressure drop

ρ' = liquid density in kg/dm^3

The value $\Delta p'$ is used when pre-adjusting or measuring the flow rate using the diagrams or the formulas.

Code 130600 1"



DN 25	Position										Kvs
Size 1"	0,5	1	1,5	2	2,5	3	3,5	4	4,5	5	6
Kv (m³/h)	0,93	1,19	1,52	2,07	2,60	3,30	3,88	4,61	5,29	6,10	7,63

Example of pre-adjustment

A flow rate $G = 900$ l/h must create a head loss $\Delta p = 14$ kPa.

Choosing the diagram of the valve code 130600 size 1" gives an adjustment position $\approx 2,3$ (blue line).

Or, analytically, applying the formula (1.1) gives the value $K_v = 0,9 / \sqrt{0,14} = 2,40$.

From the table for the valve code 130600 1", choose a corresponding adjustment position $\approx 2,3$ (value that matches or is nearest the required one).

Example of correction for liquid with different density

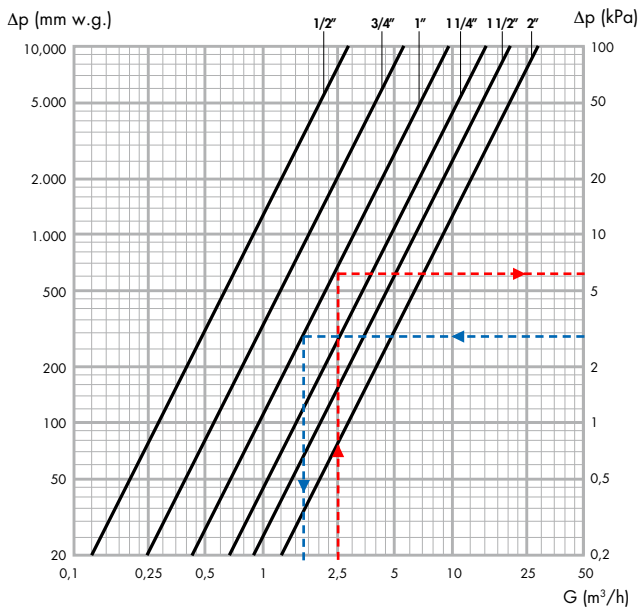
Liquid density $\rho' = 1,1$ Kg/dm³

Measured (or desired) pressure drop $\Delta p = 14$ kPa.

Reference pressure drop $\Delta p' = 14/1,1 = 12,72$ kPa

With this value, use the graph or the formula (1.1) to obtain the adjustment position for the flow rate G (new position $\approx 2,5$).

Venturi



DN	15	20	25	32	40	50
Size	1/2"	3/4"	1"	1 1/4"	1 1/2"	2"
Kv Venturi (m³/h)	2,80	5,50	9,64	15,20	20,50	28,20

Example of flow rate measurement

Reading a $\Delta p_{\text{Venturi}}$ of 3 kPa on a 1" valve, using the characteristic Venturi diagram for the valve concerned, on the x-axis we read a flow rate value equal to $\approx 1,7$ m³/h (blue line).

Whereas, if we want to proceed analytically, using the equation (1.2), the measurement of a $\Delta p_{\text{Venturi}}$ equal to 3 kPa, considering that $K_{v_{\text{Venturi}}}$ for the 1" valve 130600 is equal to 9,64, leads to calculating a flow rate $G = 9,64 \times \sqrt{0,03} = 1,67$ m³/h.

Example of correction for liquid with different density

Liquid density $\rho' = 1,1$ Kg/dm³

Measured pressure drop $\Delta p_{\text{Venturi}} = 3$ kPa

Reference pressure drop $\Delta p' = 3/1,1 = 2,72$ kPa

With this value use the Venturi diagram for the valve or the formula (1.2) to obtain the corresponding flow rate $G (= 1,59$ m³/h).

Example of manual flow rate adjustment

Considering a 1" valve, we would like to adjust the flow rate on a value of 2500 l/h.

Turn the valve knob to the fully open position, then gradually close the valve while monitoring the $\Delta p_{\text{Venturi}}$ reading on the measuring device. As shown in the diagram alongside, on reaching the differential value of $\approx 6,7$ kPa (red line), the flow rate of the medium flowing through the valve will be 2500 l/h as desired.

Using the analytical method with a flow rate $G = 2500$ l/h and with $K_{v_{\text{Venturi}}} = 9,64$ for the 1" valve 130600 concerned, using the formula (1.3) gives $\Delta p_{\text{Venturi}} = 2,5^2/9,64^2 = 6,72$ kPa. Adjust the valve accordingly to reach the calculated $\Delta p_{\text{Venturi}}$.

Example of correction for liquid with different density

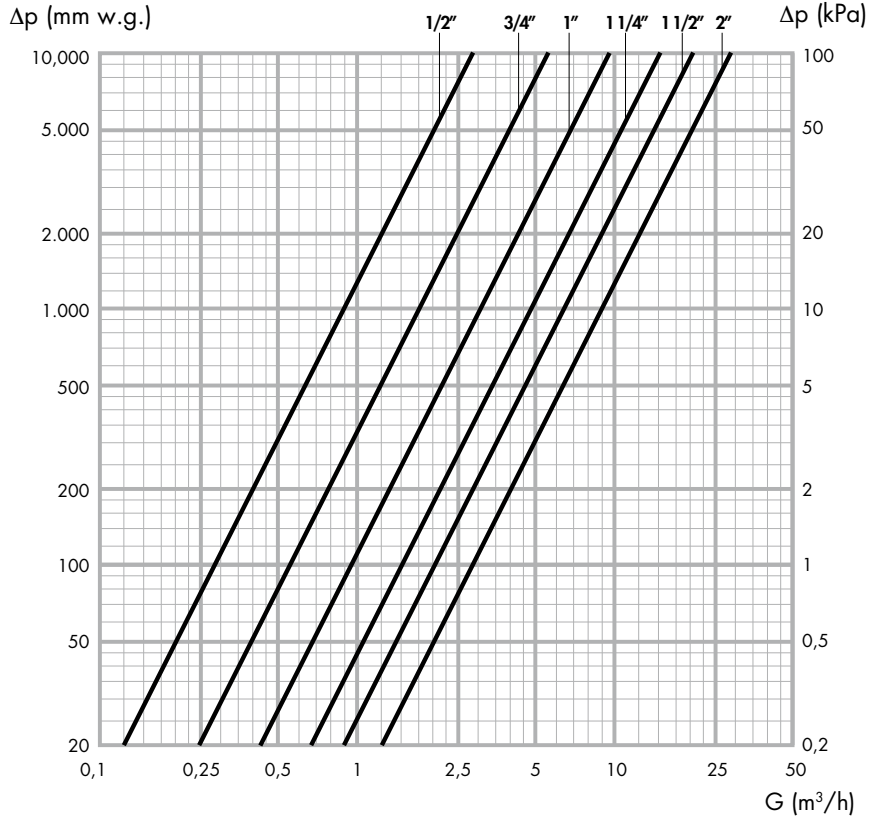
Desired liquid flow rate $G = 2.500$ l/h.

With the formula (1.3) or the Venturi graph, we obtain the reference pressure drop $\Delta p' = 2,5^2/9,64^2 = 6,72$ kPa.

If the density of the liquid used is $\rho' = 1,1$ kg/dm³ the pressure drop $\Delta p_{\text{Venturi}}$ that we must read on the measuring device for the desired flow rate will be given by the equation:

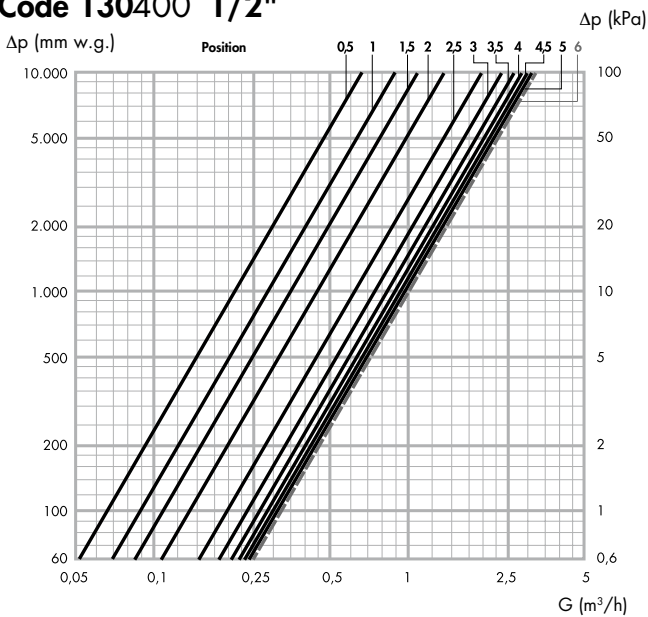
$$\Delta p_{\text{Venturi}} = \rho' \times \Delta p' = 1,1 \times 6,72 = 7,39 \text{ kPa.}$$

Venturi



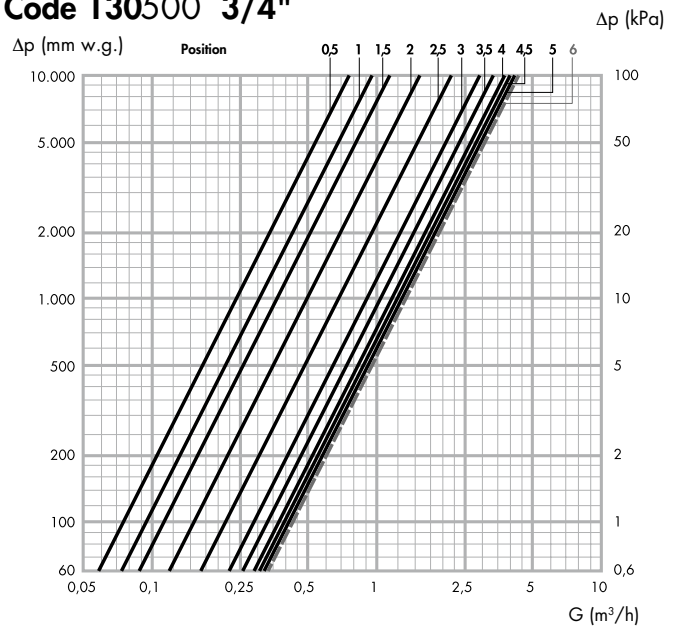
DN	15	20	25	32	40	50
Size	1/2"	3/4"	1"	1 1/4"	1 1/2"	2"
Kv Venturi(m³/h)	2,80	5,50	9,64	15,20	20,50	28,20

Code 130400 1/2"



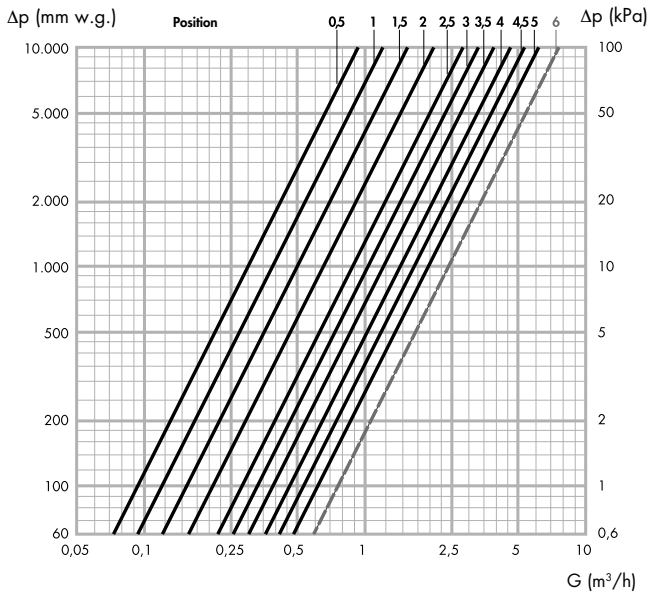
DN 15	Position										Kvs
Size 1/2"	0,5	1	1,5	2	2,5	3	3,5	4	4,5	5	6
Kv (m³/h)	0,66	0,89	1,07	1,37	1,96	2,33	2,60	2,79	2,95	3,06	3,17

Code 130500 3/4"



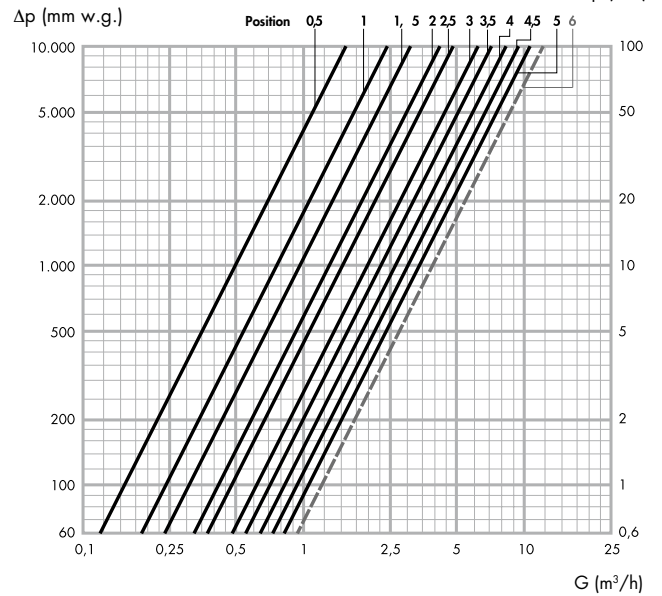
DN 20	Position										Kvs
Size 3/4"	0,5	1	1,5	2	2,5	3	3,5	4	4,5	5	6
Kv (m³/h)	0,73	0,95	1,14	1,57	2,18	2,78	3,31	3,73	3,95	4,15	4,46

Code 130600 1"



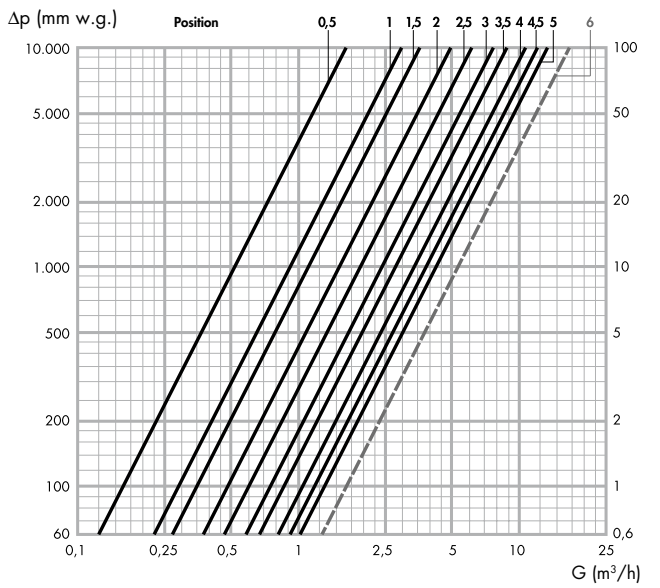
DN 25	Position										Kvs
Size 1"	0,5	1	1,5	2	2,5	3	3,5	4	4,5	5	6
Kv (m³/h)	0,93	1,19	1,52	2,07	2,60	3,30	3,88	4,61	5,29	6,10	7,63

Code 130700 1 1/4"



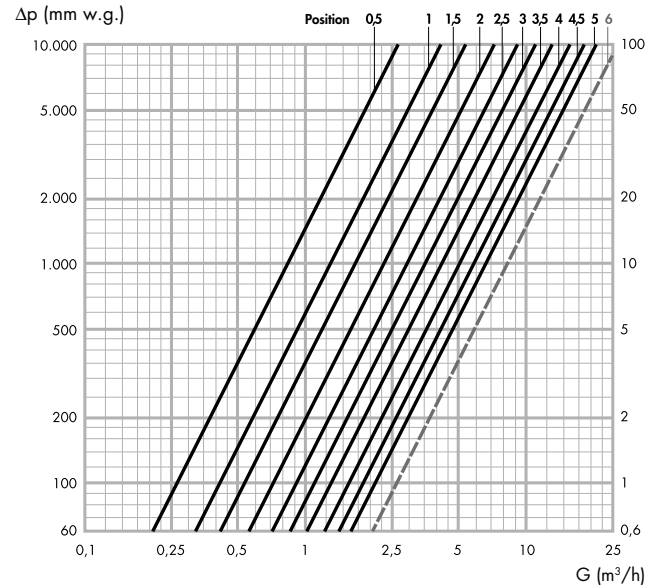
DN 32	Position										Kvs
Size 1 1/4"	0,5	1	1,5	2	2,5	3	3,5	4	4,5	5	6
Kv (m³/h)	1,52	2,47	3,18	4,22	4,91	6,23	7,15	8,28	9,16	10,37	12,10

Code 130800 1 1/2"



DN 40	Position										Kvs
Size 1 1/2"	0,5	1	1,5	2	2,5	3	3,5	4	4,5	5	6
Kv (m³/h)	1,63	2,79	3,50	4,95	5,97	7,50	8,58	10,58	11,77	13,78	17,00

Code 130900 2"



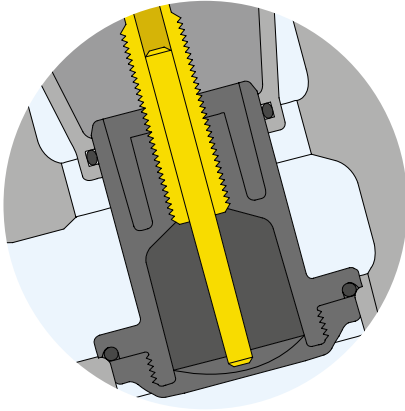
DN 50	Position										Kvs
Size 2"	0,5	1	1,5	2	2,5	3	3,5	4	4,5	5	6
Kv (m³/h)	2,66	4,18	5,32	7,28	9,20	11,30	13,20	15,90	18,20	21,10	26,30

130 series flanged connections

Construction details

Obturator made of engineering plastic

The obturator for this series of valves is made of engineering plastic. This material is particularly resistant to abrasion due to the flow of water.



Adjustment knob

The shape of the adjustment knob is the outcome of research into ergonomics to ensure the greatest operator comfort and accurate adjustment.

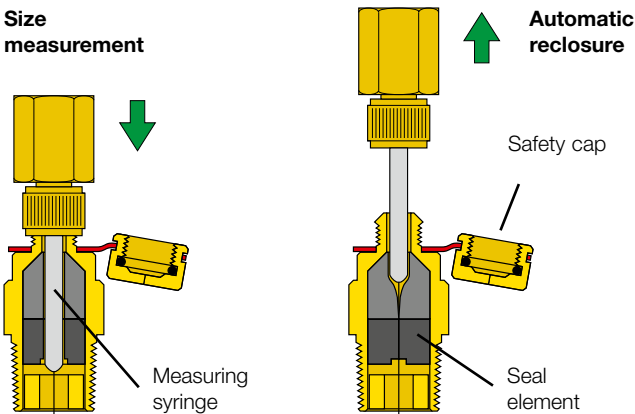
- The adjustment range with several complete turns permits great accuracy when balancing hydraulic circuits.
- The micrometric scale graduations are large and clear, making it easy to refine the flow rate adjustment.
- The knob is made of corrosion-proof technopolymer for sizes DN 65 – DN 100, DN 250 and DN 300; it is a stamped steel handwheel for sizes DN 125, DN 150 and DN 200 for easier adjustment of medium/large sized devices.



Quick-fit pressure test ports

The valves are equipped with quick-fit pressure test ports. Measurement is fast and precise with this type of port, using Caleffi 100 series syringe fittings. When removing the measuring syringe, the port closes automatically, preventing water leakage.

Size measurement

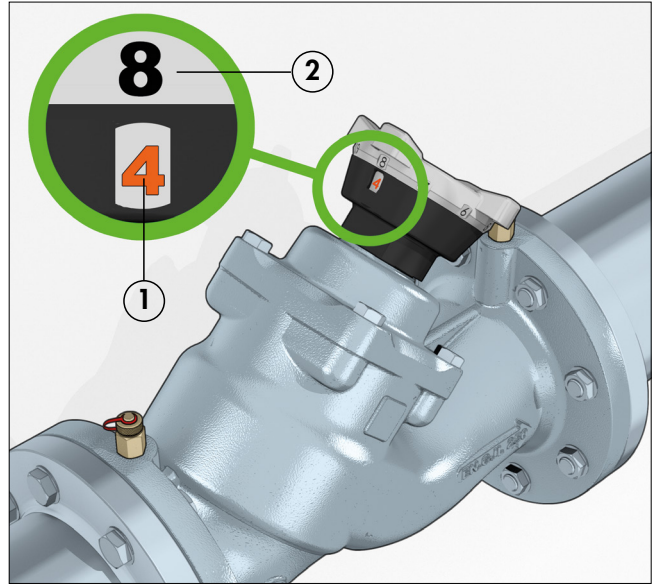


Reference scale for adjustment

The opening position is indicated by two numbered indicators:

- The turn indicator (1) shows an adjustment scale from 0 (closed) to maximum adjustment (7, 12, 15, 13 and 11 depending on the size of the valve) in red. Turning the knob manually through 360° causes the indicator to click by one unit.
- The micrometric adjustment indicator (2) shows numbers in black from 0 to 9.

Each change in the numerical position represents 1/10 of an opening/closing turn of the valve with respect to the turn indicator (1).

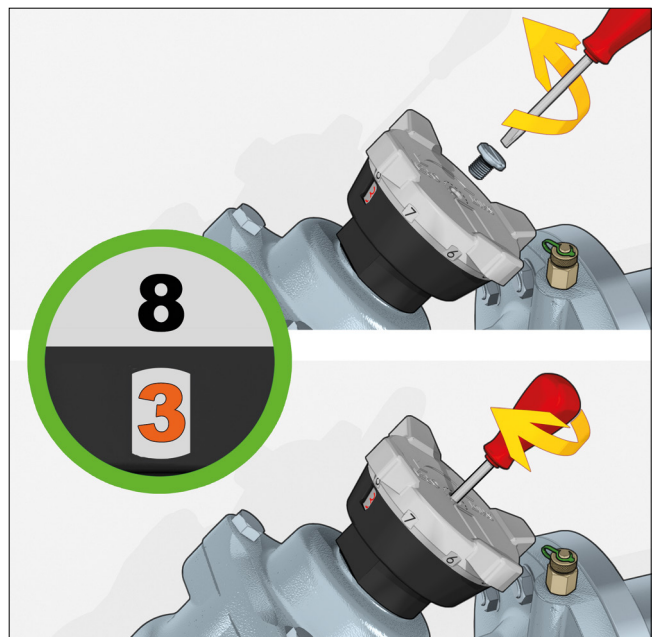


Memory stop

The valves are equipped with an adjustment position memory system that, after full closure, which may be necessary for various reasons, allows easy re-opening at the initial position.

Locking the position to be saved needs no special tools and is protected, to avoid improper use.

Unscrew the threaded protective cap with a screwdriver, then insert the screwdriver in the knob and fully turn the internal screw clockwise



For sizes DN 250–DN 300, the internal screw has a hexagonal socket head (6 mm) of the "memory stop" is located under the central protective cap.

USING AND SETTING THE BALANCING VALVE

The balancing valve is used considering the fluid dynamic characteristic produced by the relationship between the head loss measured at the piezometric connections, the flow rate and the obturator adjustment position.

Pre-adjustment

Knowing the value of the pressure drop Δp that needs to be created by the valve with a certain flow rate G , you can obtain the adjustment position number for the knob (PRESETTING).

To make this choice you can use the characteristic diagram for each valve size.

Or, analytically, you can calculate the corresponding K_v by applying the formula:

$$K_v = \frac{G}{\sqrt{\Delta p}} \quad (1.1) \quad \text{where: } G = \text{flow rate in m}^3/\text{h}$$

$$\Delta p = \text{pressure drop in bar}$$

(1 bar = 100 kPa = 10.000 mm w.g.)

K_v = flow rate in m^3/h for a pressure drop of 1 bar

and you compare the value obtained with the typical values for each valve size.

It is recommended to choose the valve size so it is pre-set on a medium opening position in order to have room for both opening and closing.

Flow rate measurement

By measuring Δp on the valve for a given adjustment position you can obtain the flow rate G flowing through the valve. You can use the diagram or, analytically, you can calculate the flow rate by applying the equation:

$$G = K_v \cdot \sqrt{\Delta p} \quad (1.2)$$

Correction for liquids of different density

The following notes apply to liquids with viscosity $\leq 3^\circ\text{E}$ (water and glycol mixtures, for example).

If using liquids with densities other than that of water at 20°C ($\rho = 1 \text{ kg/dm}^3$), the measured pressure drop Δp may be corrected using the formula:

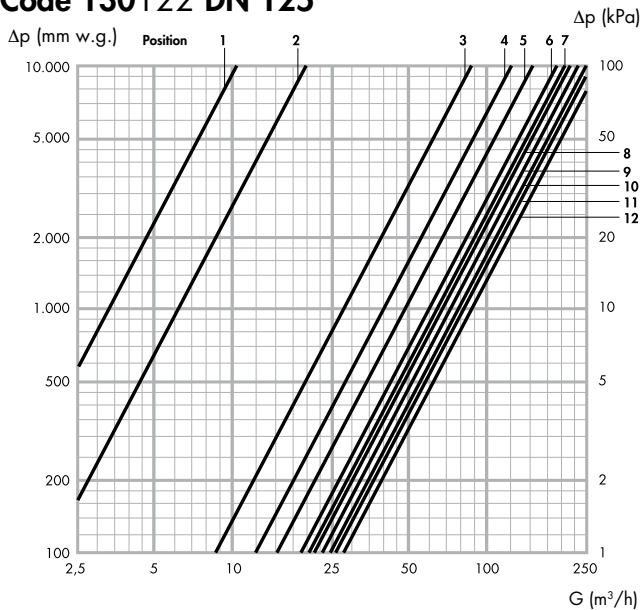
$$\Delta p' = \frac{\Delta p}{\rho'} \quad \text{where: } \Delta p' = \text{reference pressure drop}$$

$$\Delta p = \text{measured pressure drop}$$

$$\rho' = \text{liquid density in kg/dm}^3$$

The value $\Delta p'$ is used when pre-adjusting or measuring the flow rate using the diagrams or the formulas.

Code 130122 DN 125



	Position											Kvs
DN 125	1	2	3	4	5	6	7	8	9	10	11	12
Kv (m³/h)	10,3	19,4	86,8	126	158,7	185,8	202	217,8	231,9	248,2	259	268,4

Example of pre-adjustment

A flow rate $G = 40 \text{ m}^3/\text{h}$ must create a pressure drop $\Delta p = 8 \text{ kPa}$.

Choosing the diagram for the valve code 135122 DN 125 gives an adjustment position $\approx 4,5$ (blue line).

Or, analytically, applying the formula (1.1) gives the value $K_v = 40 / \sqrt{0,08} = 141,84$.

From the table for the valve code 130122 DN 125, choose a corresponding adjustment position ≈ 4.5 (value nearest the one required)

Example of correction for liquid with different density

Liquid density $\rho' = 1,1 \text{ Kg/dm}^3$

Measured (or desired) pressure drop $\Delta p = 8 \text{ kPa}$.

Reference pressure drop $\Delta p' = 8/1,1 = 7,27 \text{ kPa}$

With this value, use the diagram or the formula (1.1) to obtain the corresponding adjustment position for the flow rate G (new position ≈ 5).

Example of flow rate measurement

You have the valve code 130122 DN 125 with the adjustment knob positioned on 3 (corresponding to $K_v = 86.8$ in the table) and you measure a head loss $\Delta p = 15 \text{ kPa}$.

Using the diagram, you obtain a flow rate value of G of approximately $33 \text{ m}^3/\text{h}$ (red line).

$$G = 86,8 \times \sqrt{0,15} \approx 33,6 \text{ m}^3/\text{h}$$

Example of correction for liquid with different density

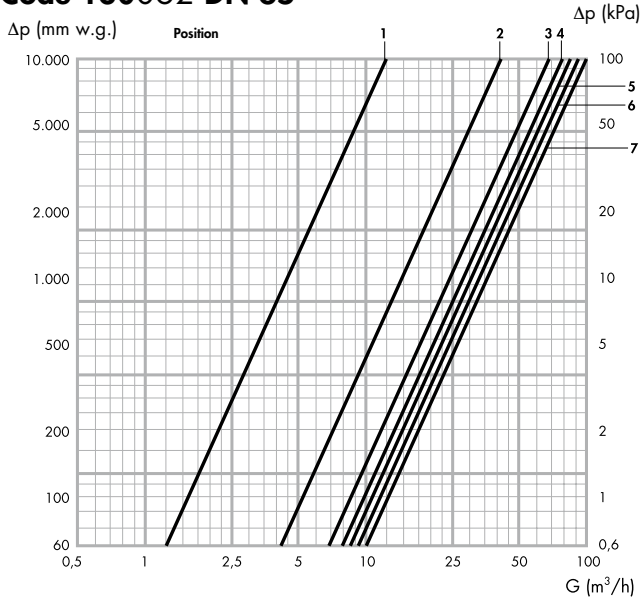
Liquid density $\rho' = 1,1 \text{ Kg/dm}^3$

Measured pressure drop $\Delta p = 15 \text{ kPa}$

Reference pressure drop $\Delta p' = 15/1,1 = 13,63 \text{ kPa}$

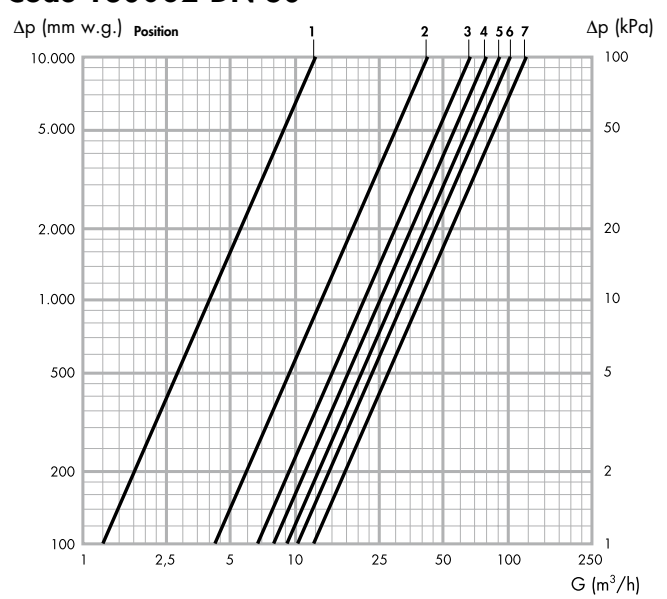
With this value, use the diagram for the valve or the formula (1.2) to obtain the corresponding flow rate G ($\approx 32 \text{ m}^3/\text{h}$).

Code 130062 DN 65



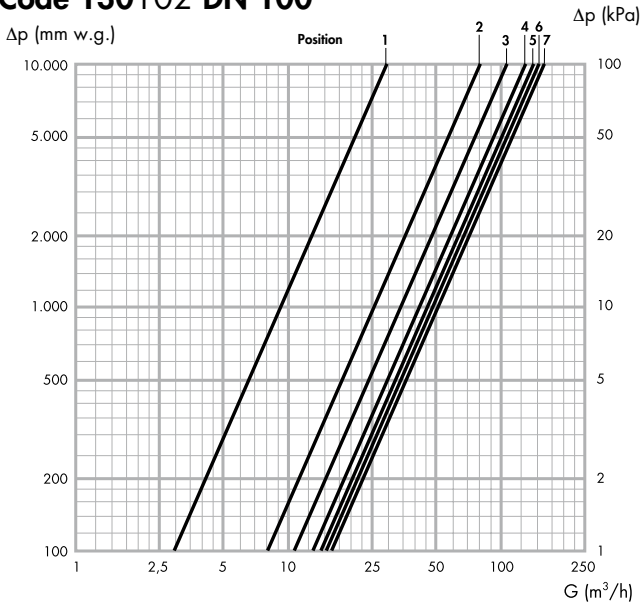
DN 65	Position						Kvs
	1	2	3	4	5	6	
Kv (m³/h)	12,6	42,5	69	80	85,5	94,9	100

Code 130082 DN 80



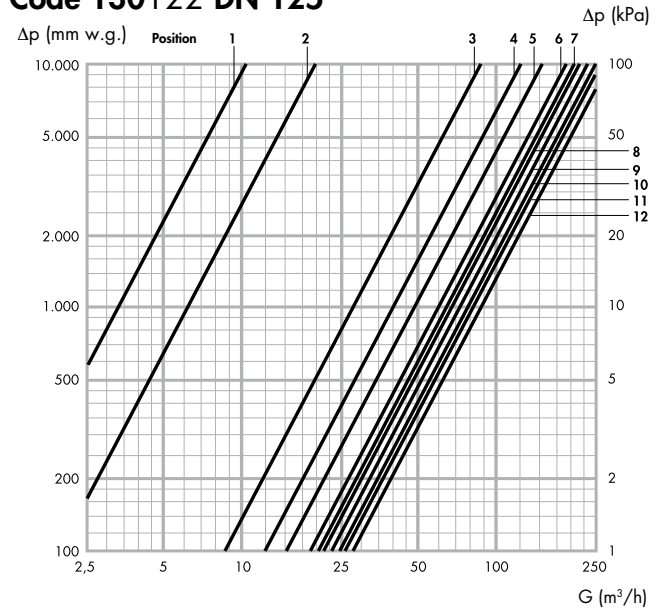
DN 80	Position						Kvs
	1	2	3	4	5	6	
Kv (m³/h)	12,5	43,2	69,3	80,1	92,9	101,9	111,9

Code 130102 DN 100



DN 100	Position						Kvs
	1	2	3	4	5	6	
Kv (m³/h)	29,5	80,3	115,2	131,5	140,1	148,1	155

Code 130122 DN 125



DN 125	Position											Kvs
	1	2	3	4	5	6	7	8	9	10	11	
Kv (m³/h)	10,3	19,4	86,8	126	158,7	185,8	202	217,8	231,9	248,2	259	268,4

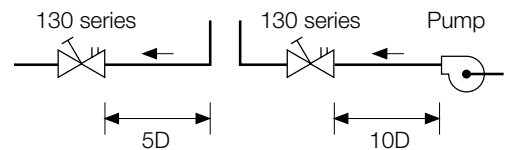
Installation

The balancing valves must be installed in such a way as to ensure free access to the pressure test ports, drain cocks and the adjustment knob. The valves can be fitted on either horizontal or vertical pipes. We recommend keeping the upstream and downstream sections of pipe straight, as shown in the illustrations below, to ensure accurate flow measurement. It is necessary to respect the flow direction shown on the valve body.

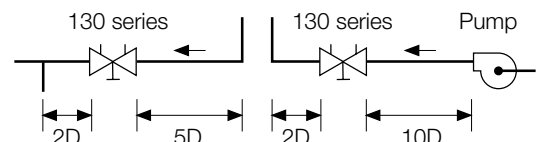
Circuit sizing with balancing valves

To obtain more detailed information on sizing a circuit with balancing valves, please refer to the 2nd volume of the Caleffi Handbooks. It gives numerical examples and notes on the application of the devices in circuits.

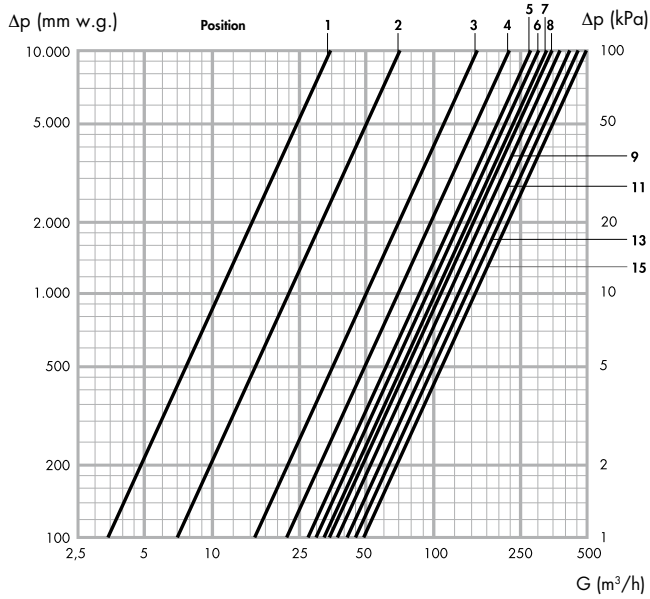
Threaded versions



Flanged versions

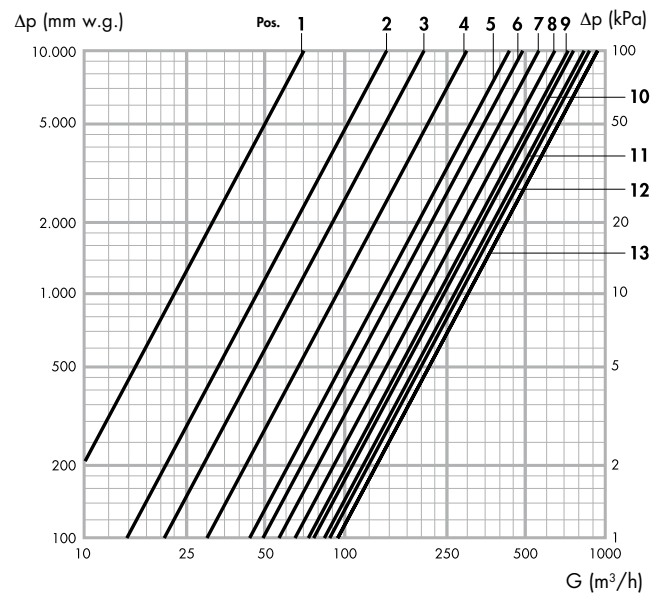


Code 130152 DN 150



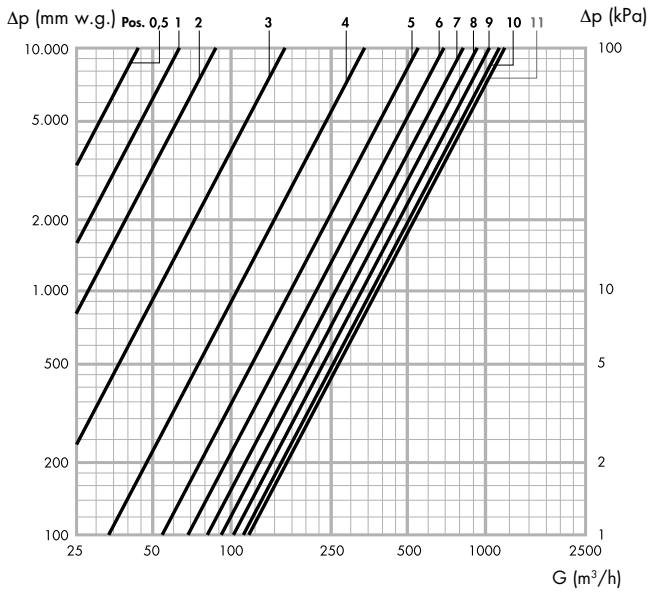
	Position														Kvs
DN 150	1	2	3	4	5	6	7	8	9	10	11	12	13	14	15
Kv (m³/h)	34	70	158	220	277	303	327	346	371	389	416	432	456	471	486

Code 130202 DN 200



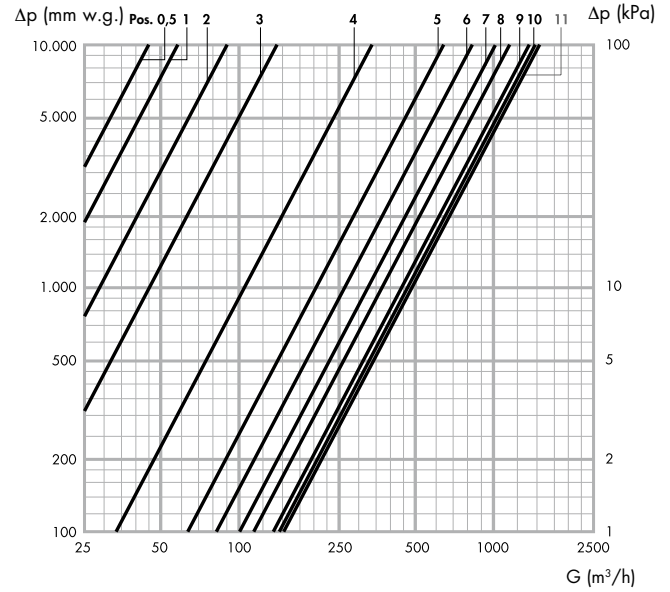
	Position												Kvs
DN 200	1	2	3	4	5	6	7	8	9	10	11	12	13
Kv (m³/h)	72	145	213	294	389	487	562	640	711	776	819	884	927

Code 130250 DN 250



	Position										Kvs	
DN 250	0,5	1	2	3	4	5	6	7	8	9	10	11
Kv (m³/h)	44	62	87	164	345	543	694	824	925	1022	1110	1188

Code 130300 DN 300



	Position										Kvs	
DN 300	0,5	1	2	3	4	5	6	7	8	9	10	11
Kv (m³/h)	45	57	90	141	332	634	825	1018	1170	1285	1394	1504

Accessories



100010

tech. broch. 01041

Pair of fittings with fast-plug syringe for connecting pressure test ports to measurement instruments.
 Female 1/4" threaded connection.
 Maximum working pressure: 10 bar.
 Maximum working temperature: 110 °C.

Accessories



Electronic flow rate and differential pressure measuring station 130 series

The electronic measuring station makes it possible to measure the water flow rate in air-conditioning systems.

The system is composed of a Δp measuring sensor and a remote control unit (terminal) including the Caleffi Balance programming software. The terminal can be supplied already in the package or you can use your own Android® device by downloading the special app. The sensor measures the differential pressure and communicates with the terminal via Bluetooth®.

May be used for flow rate measurement of 130, 131, 135 series balancing valves and of 683 series flow rate metering device.

Can be used for measuring Δp on automatic flow rate regulators.

The software also contains the data of most of the commercially available balancing valves.



Product range

Code 130006 Electronic flow rate and differential pressure measuring station complete with remote control unit

Code 130005 Electronic flow rate and differential pressure measuring station without remote control unit, with Android® app

Technical specifications

Range of measurement

Differential pressure:	0–1000 kPa
Static pressure:	< 1000 kPa
System temperature:	-30–120 °C

Measurement accuracy

Differential pressure:	< 0,1 % of full scale
------------------------	-----------------------

Sensor

Battery capacity:	6600 mAh
Operating time:	35 hours of continuous operation
Charging time:	6 hours
IP class:	IP 65

Ambient temperature of the instrument

During operation and charging:	0–40 °C
During storage:	-20–60 °C
Ambient humidity:	maximum 90 % relative humidity

Sensor weight:	540 g
Full case:	2.8 kg

Characteristic components

- Measuring sensor
- 2 measuring pipes
- 2 measuring needles
- Touchscreen terminal with active licence and accessories
- Sensor battery charger
- Terminal battery charger
- Communication cable between terminal and PC
- Instructions with licence to download the Android® app (for code 130005)
- Instruction manual
- CD containing the instruction manual, measurement and balancing software, valves database and the report viewing tool.
- Calibration protocol. The sensor is supplied with a specific calibration protocol drawn up by a certified laboratory

Operating principle

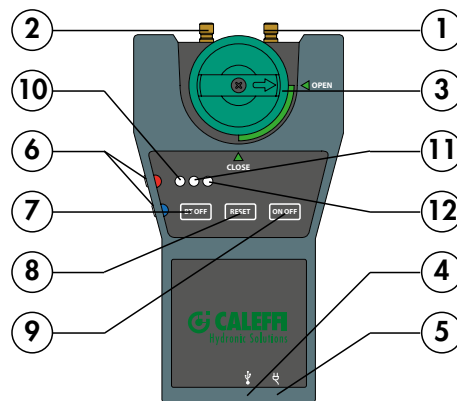
The operator chooses the balancing valve from the list on the terminal (manufacturer, model, size and position with the corresponding Kv). The valve and the measured Δp are the basis for calculating the flow rate that is displayed on the terminal screen. If the valve on which you are making the measurement is not available in the database, it is still possible to enter the Kv value manually.

Methods of measurement

The complete device allows to choose 3 methods of measurement:

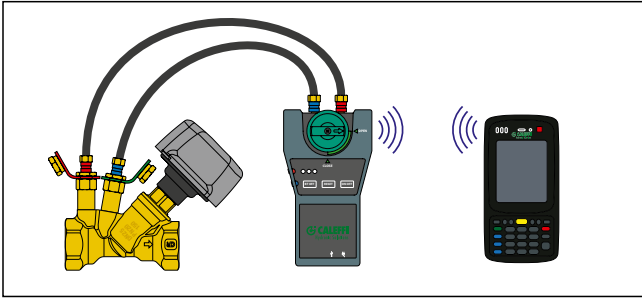
- 1) Measurement with set position. The display shows the flow rate calculated by the device in relation to the chosen valve and assigned position.
- 2) Measurement with set flow rate. The position is calculated to assign to the valve in order to obtain the desired flow rate.
- 3) Simple Δp measurement. The screen shows the differential pressure value measured by the sensor.

Characteristic components of the Δp meter



- | | |
|---|--------------------------------|
| 1. Upstream pressure test port | 7. Bluetooth OFF |
| 2. Downstream pressure test port | 8. Reset button |
| 3. Setting by-pass knob | 9. ON/OFF button |
| 4. Mini USB port | 10. Bluetooth ON indicator |
| 5. Socket for charging | 11. Battery charging indicator |
| 6. Ports for temperature probes
(optional) | 12. ON/OFF indicator |

Transmission via Bluetooth to the terminal with Windows Mobile

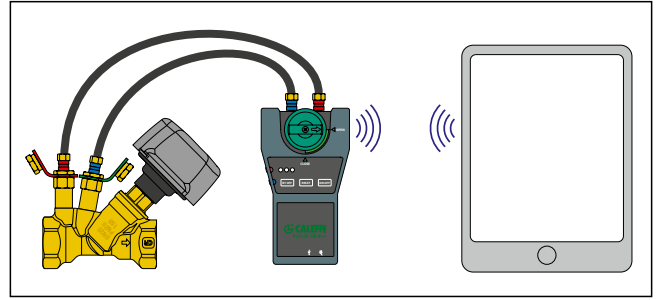


The terminal provided in the package is already equipped with the Caleffi Balance software which is loaded with all the data relating to Caleffi balancing valves and the main commercially available balancing valves.

The device allows you to make measurements using the methods described above, view the results and save them.



Transmission via Bluetooth to Smartphone/Tablet with Android® app



Following the procedure described in the package you can download the Caleffi Balance app to your terminal running the Android® operating system (Smartphone or Tablet).

It includes all the data relating to Caleffi balancing valves and the main balancing valves that are commercially available.

The device allows you to make measurements using the methods described above, view the results and save them.

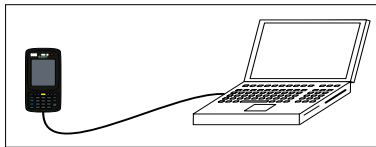
It enables a graphic display of the results.



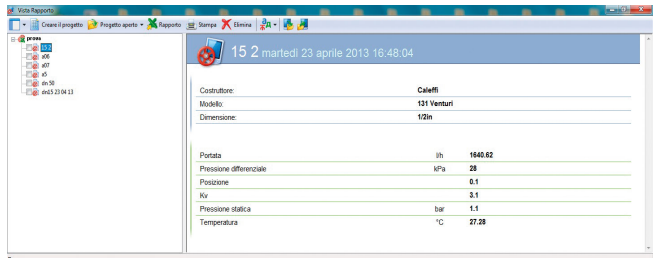
PC connection

The values obtained with the measurements, and the corresponding valve data, can be saved and viewed directly on the terminal screen or sent to a PC for later processing.

The Report Viewer software supplied on the CD-ROM in the package can be installed on a PC. It enables collecting the measured data and drafting a report. In addition, this software lets you load the project before making any measurements and export the data on the terminal to help save the measurements in an orderly fashion.



The CD-ROM also contains the Valve Browser software which provides a simulation of the measurement in order to estimate the behaviour of the various valves during the design phase.



Valore di	Identificazione	Objetto	Nome oggetto	Identificazione	Modello	Dimensione	PD	Portata	Pos	Kv	Portata	Pos	Kv	Terminale	Manuale
15.2	131 Venturi	50in		15.2	131 Venturi	50in	28	1640.62	l/h	0.1	3.1				
11	a05	131 Venturi	1in	11.5	a05	131 Venturi	1in	3.06	m³/h	0.8	9.05				
12	a07	131 Venturi	1in	6.2	a07	131 Venturi	1in	2.25	m³/h	0.8	9.05				
13	a5	131 Venturi	1in	11.6	a5	131 Venturi	1in	3.08	m³/h	0.8	9.05				pump 20 m
14	dn 50	131 Venturi	2in	2.1	dn 50	131 Venturi	2in	4511.32	l/h	1	31.95				
15	dn 15/23/34/13	131 Venturi	1/2in	17.2	dn 15/23/34/13	131 Venturi	1/2in	1255.86	l/h	0.1	3.1				

SPECIFICATION SUMMARY

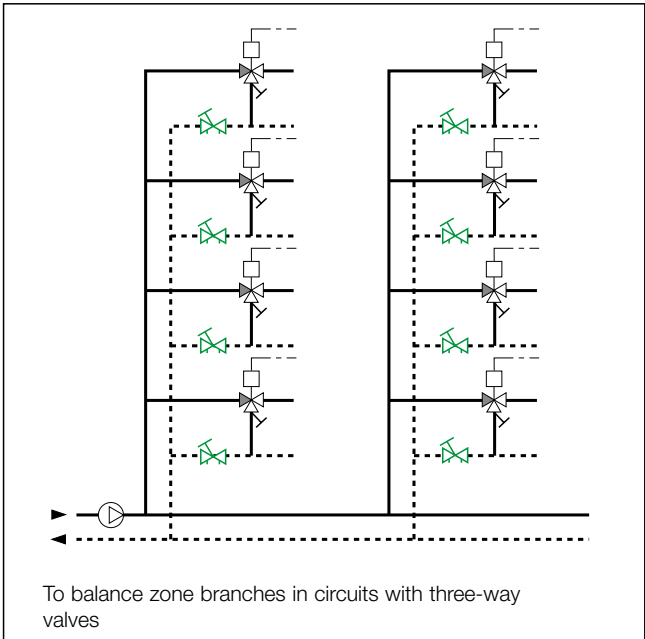
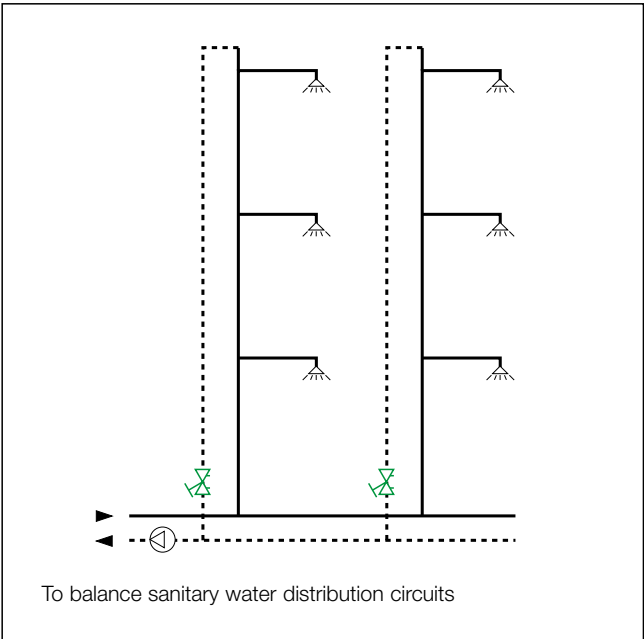
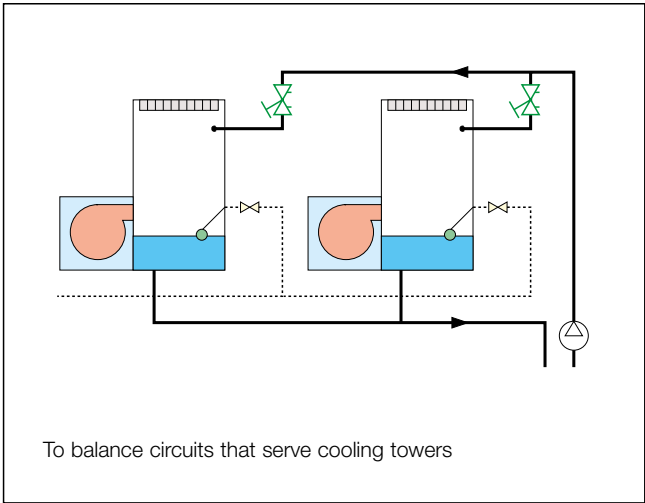
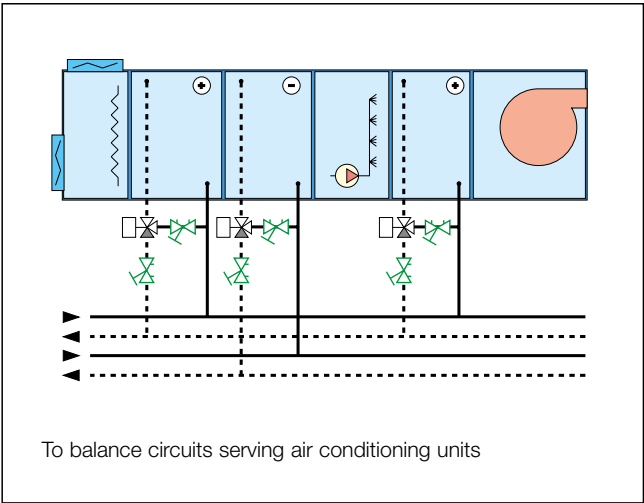
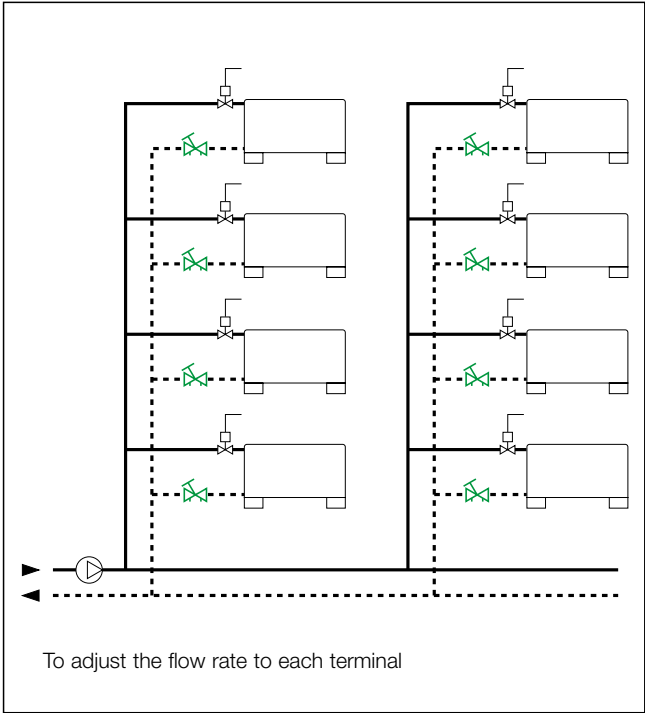
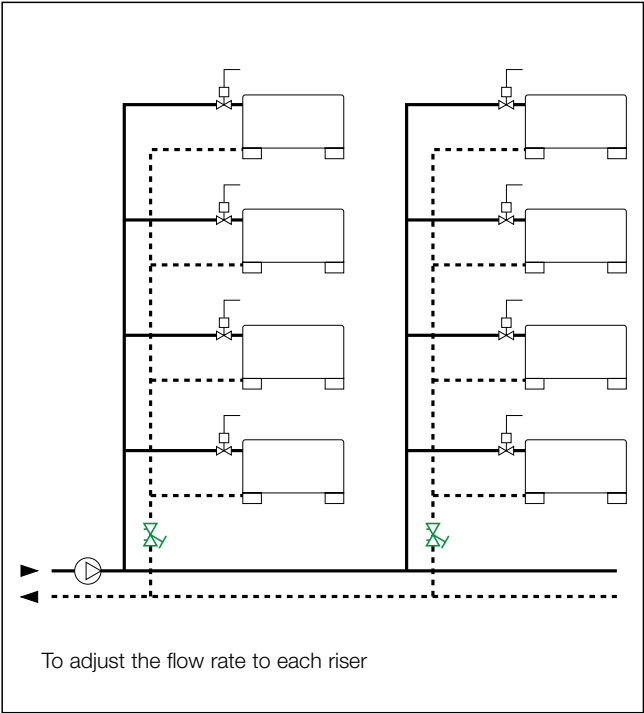
Code 130006

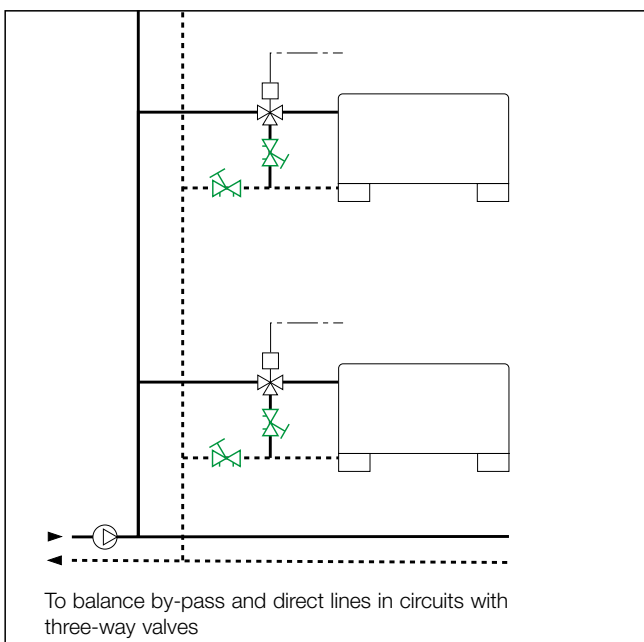
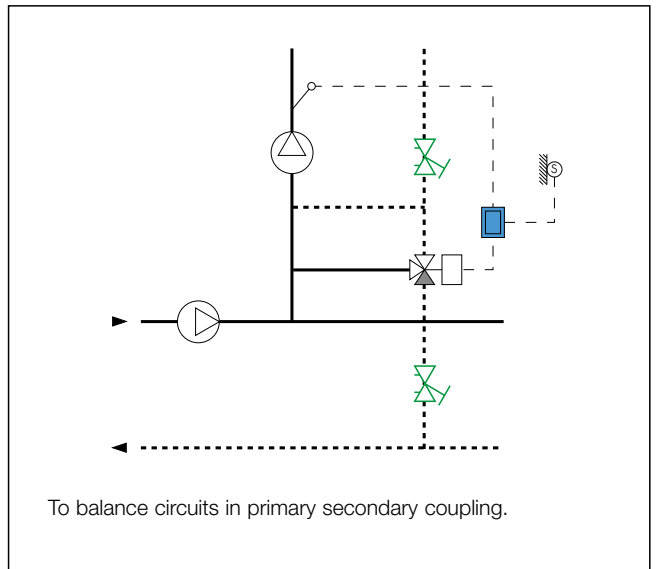
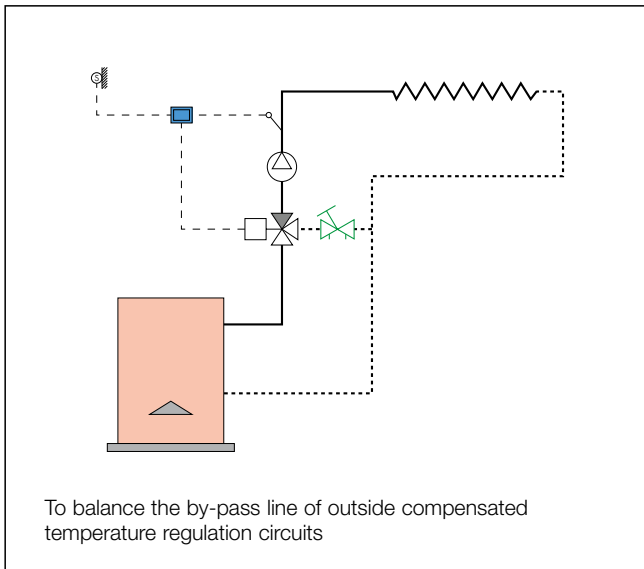
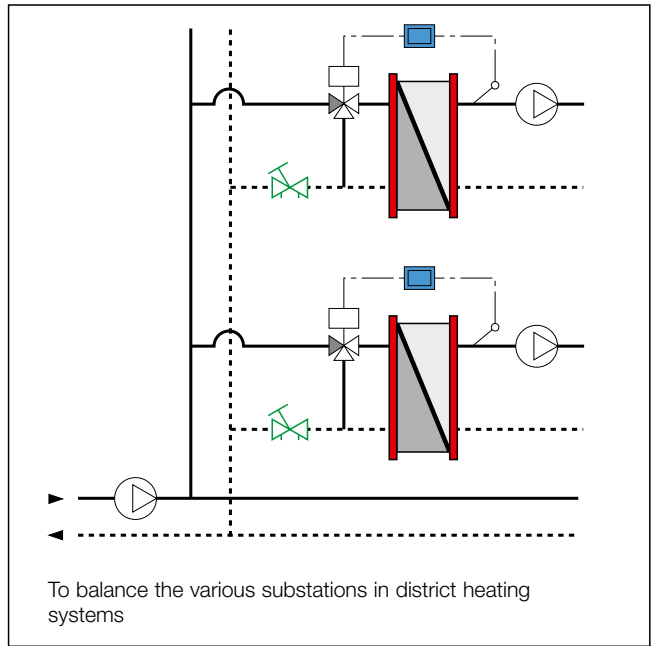
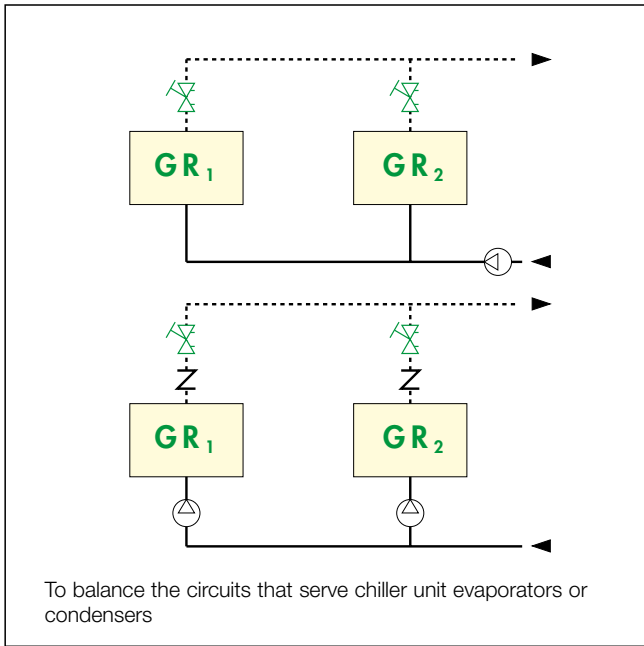
Electronic flow rate and differential pressure meter with remote control unit and Bluetooth® transmission. Supplied with shut-off valves and connection fittings. Differential pressure 0–1000 kPa. Static pressure: < 1000 kPa. System temperature: -30–120 °C.

Code 130005

Electronic flow rate and differential pressure meter without remote control unit, with Android® app. Supplied with shut-off valves and connection fittings. Differential pressure 0–1000 kPa. Static pressure: < 1000 kPa. System temperature: -30–120 °C.

Application diagrams





SPECIFICATION SUMMARY

130 series threaded version

Balancing valve with Venturi device, threaded version. Size DN 15 (from DN 15 to DN 50). Main connections 1/2" (from 1/2" to 2") F (ISO 228-1). Quick-fit pressure test port connections, valve body 1/4" F (ISO 228-1). Body, control stem and seal seat made of dezincification resistant alloy, stainless steel obturator. EPDM hydraulic seals. PA6G30 control knob. Medium water and glycol solutions; maximum percentage of glycol 50 %. Maximum working pressure 16 bar. Working temperature range -20–120 °C. Accuracy ± 10 %. Knob with micrometric indicator. Number of adjustment turns 5. Locking/sealing and saving the adjustment position. Complete with quick-fit pressure test ports made of brass with EPDM seal elements.

130 series flanged version

Balancing valve, flanged version. Size DN 65 (from DN 65 to DN 300). Quick-fit pressure test ports, valve body 1/4" F (ISO 228-1). Body and cover made of grey cast iron. Brass control stem, PPS obturator. EPDM hydraulic seals. PA knob for size DN 65 (DN 80, 100, 200, 250 and 300), stamped steel for size DN 125, DN 150 and DN 200. Medium water and glycol solutions; maximum percentage of glycol 50 %. Maximum working pressure 16 bar. Working temperature range -10–140 °C (-10–120 °C for DN 250 and 300) Accuracy ± 10 %. Knob with micrometric indicator. Number of adjustment turns is 6 for sizes DN 65, DN 80 and 100; (11 for DN 125; 14 for DN 150; 12 for DN 200; 10 for DN 250 and 300). Saving of the adjustment position. Complete with quick-fit pressure test ports made of brass with EPDM seal elements.

130 Series insulation

Hot pre-formed shell insulation for balancing valves with threaded connections, 130 series. For heating and air-conditioning. Material closed cell expanded PE-X . Thickness: 15 mm. Density: inner part 30 kg/m³, outer part 80 kg/ m³; thermal conductivity (ISO 2581): at 0 °C 0,038 W/(m·K), at 40 °C 0,045 W/(m·K). Coefficient of resistance to water vapour diffusion (DIN 52615): >1.300. Working temperature range: 0–100 °C. Reaction to fire (DIN 4102): class B2.

We reserve the right to make changes and improvements to our products and the related technical data in this publication, at any time and without prior notice.