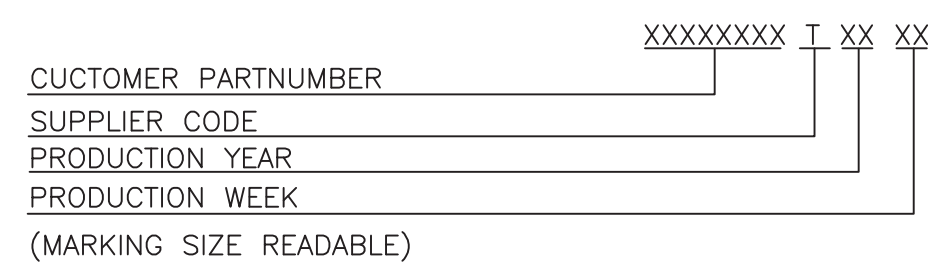


THIS DRAWING IS UNPUBLISHED. RELEASED FOR PUBLICATION
 © COPYRIGHT - By - ALL RIGHTS RESERVED.

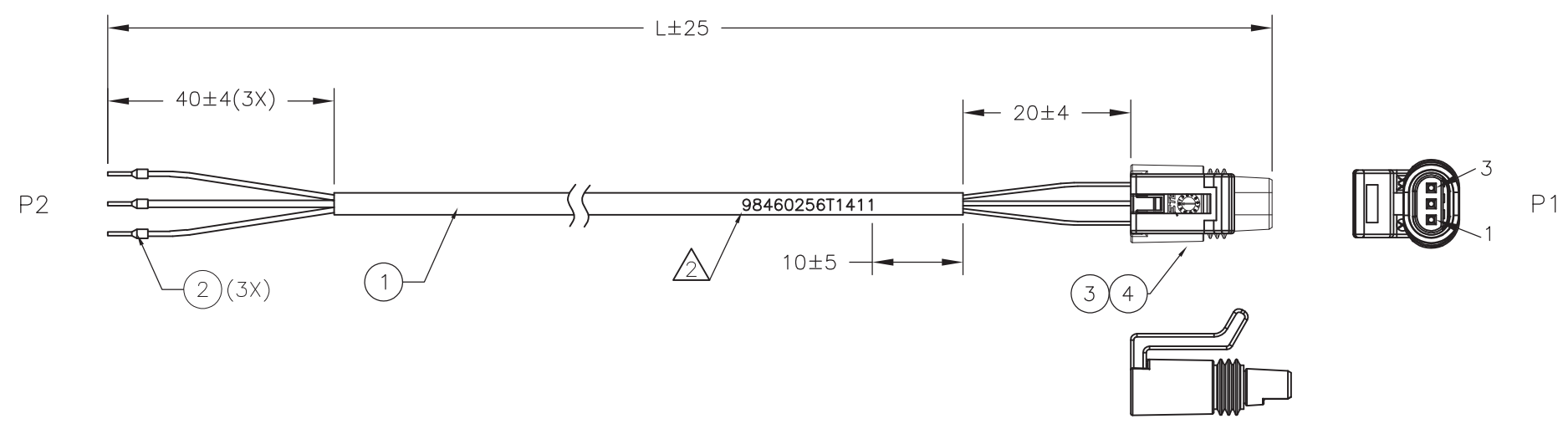
LOC	DIST	REVISIONS					
		P	LTR	DESCRIPTION	DATE	DWN	APVD
			D	INITIAL RELEASE	06OCT2014	TB	MVD
			D1	ECR-14-015513	15OCT2014	TB	MVD
				2265037-2	98460256		1000
				2265037-1	98347385		2000
				TE P/N	CUSTOMER P/N		L

- NOTES:
- 100% OPEN SHORT&MISSPLACEMENT TEST.
 HIP-POT:300VDC
 INSULATION RESISTANCE:50MΩMIN.
 CONDUCTOR RESISTANCE:1.0ΩMAX

PRINT ON THE CABLE JACKET WITH WHITE COLOR:



WIRING DIAGRAM		
P1	COLOR	P2
1	BROWN	1
2	BLUE	2
3	BLACK	3



3	PC	TERMINAL, GOLD PLATED	4
1	PC	MINI SUPERSEAL HOUSING 3P	3
3	PC	TUBULAR TERMINAL	2
AR	MR	CABLE 3XAWG24, UL2517, BLACK	1
QTY	U/M	DESCRIPTION	ITEM

THIS DRAWING IS A CONTROLLED DOCUMENT.		DWN		NAME Cable assy-CPL Signal UPM3	
DIMENSIONS: mm		TOLERANCES UNLESS OTHERWISE SPECIFIED:			
		0 PLC ± - 1 PLC ± - 2 PLC ± - 3 PLC ± - 4 PLC ± - ANGLES ± -			
MATERIAL		FINISH			
-		-		APVD	
		PRODUCT SPEC		SIZE	
		APPLICATION SPEC		CAGE CODE	
		WEIGHT		DRAWING NO	
		CUSTOMER DRAWING		RESTRICTED TO	
		SCALE NTS		SHEET 1 OF 1	
				REV D1	