

## BALL VALVES

0594EN September 2017

VALVE FOR WATER FOR HEATING/COOLING SYSTEMS  
AND NOT DANGEROUS GAS  
STANDARD PORT - R254D SERIES

**GIACOMINI**  
WATER E-MOTION



### Description

Ball valve, with female-male threaded connections.  
Standard port.

### Versions and product codes

Product code	Connections	Finishing	Handle type	Handle color
R254X001	1/4"F (ISO 228) x 1/4"M (R, EN 10226)	Chrome plated brass	T-handle	Red
R254X002	3/8"F (ISO 228) x 3/8"M (R, EN 10226)	Chrome plated brass	T-handle	Red
R254X003	1/2"F (ISO 228) x 1/2"M (R, EN 10226)	Chrome plated brass	T-handle	Red
R254X004	3/4"F (ISO 228) x 3/4"M (R, EN 10226)	Chrome plated brass	T-handle	Red
R254X005	1"F (ISO 228) x 1"M (R, EN 10226)	Chrome plated brass	T-handle	Red
R254X006	1 1/4"F (ISO 228) x 1 1/4"M (R, EN 10226)	Chrome plated brass	T-handle	Red
R254ZX002	3/8"F (Rc, EN 10226 "BSP") x 3/8"M (R, EN 10226)	Chrome plated brass	T-handle	Red
R254ZX003	1/2"F (Rc, EN 10226 "BSP") x 1/2"M (R, EN 10226)	Chrome plated brass	T-handle	Red
R254ZX004	3/4"F (Rc, EN 10226 "BSP") x 3/4"M (R, EN 10226)	Chrome plated brass	T-handle	Red
R254ZX005	1"F (Rc, EN 10226 "BSP") x 1"M (R, EN 10226)	Chrome plated brass	T-handle	Red
R254ZX006	1 1/4"F (Rc, EN 10226 "BSP") x 1 1/4"M (R, EN 10226)	Chrome plated brass	T-handle	Red

### Technical data

#### Main features and materials

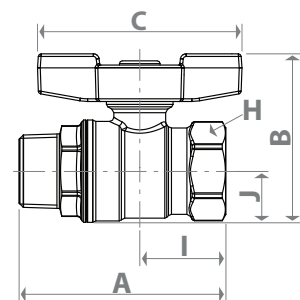
- Suitable for water for heating/cooling systems and not dangerous gas
- Standard port
- Valve made of UNI EN 12165 CW617N chrome plated brass
- Stem with double O-Ring
- Nut with anti-corrosion coating, with guarantee seal and hologram
- Aluminium T-handle, red painted

#### Field of applications

- Min. working temperature: -20 °C with 50 % glycol solutions
- Max. working temperature with dry saturated steam: 185 °C with 1,05 MPa (10,5 bar)
- Max. working pressure at 20 °C with water and not dangerous gas: 4,2 MPa (42 bar) for 1/4" - 3/8" - 1/2" - 3/4" 3,5 MPa (35 bar) for 1" - 1 1/4"

### Dimensions and Kv

Product code	DN	A [mm]	I [mm]	B [mm]	J [mm]	C [mm]	H [mm]	Kv
R254X001	8	51	21	35	10	40	17	6,6
R254X002	10	55	22	46	14	63	21	6,7
R254X003	14	64	27	51	15	63	25	10,2
R254X004	18	76	31	60	18	73	32	18,5
R254X005	22	89	38	69	23	73	39	36,3
R254X006	28	100	42	78	28	73	48	73,5
R254ZX002	10	55	22	46	14	63	21	6,7
R254ZX003	14	64	27	51	15	63	25	10,2
R254ZX004	18	76	31	60	18	73	32	18,5
R254ZX005	22	89	38	69	23	73	39	36,3
R254ZX006	28	100	42	78	28	73	48	73,5



### Product specifications

#### R254D - Red T-handle

Ball valve, with female-male threaded connections. Suitable for water for heating/cooling systems and not dangerous gas. Valve made of UNI EN 12165 CW617N chrome plated brass. Standard port. Aluminium T-handle, red painted. Stem with double O-Ring. Nut with anti-corrosion coating, with guarantee seal and hologram. Min. working temperature: -20 °C with 50 % glycol solutions. Max. working temperature with dry saturated steam: 185 °C with 1,05 MPa (10,5 bar). Max. working pressure at 20 °C with water and not dangerous gas: 4,2 MPa (42 bar) for 1/4" - 3/8" - 1/2" - 3/4"; 3,5 MPa (35 bar) for 1" - 1 1/4".