

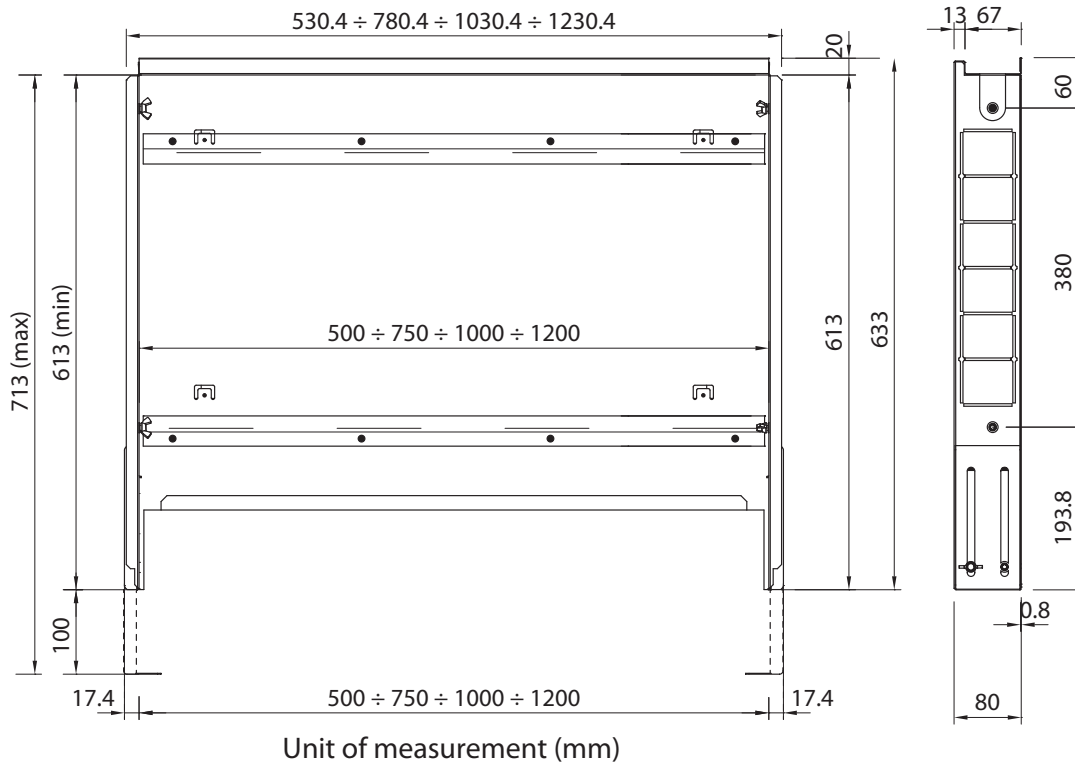
1 DESCRIPTION



Basic cabinet made of zinc-plated sheet metal, depth 8 cm, with adjustable feet, a net on the back, dead holes for side entrances, slide guides for a pair of brackets, a protective cover for plaster. It includes flat frame and door made of precovered metal sheet and screw-driver lockset.

Model	Code
BASIC 50	1600550
BASIC 75	1600575
BASIC 100	1600599
BASIC 120	1600600

2 DIMENSIONS OF THE CABINET



3.1 OVERALL SIZE WITH PIPEWORK ON THE RIGHT OR ON THE LEFT

BASIC MANIFOLD MADE OF STAINLESS STEEL

Number of outlets		3+3	4+4	5+5	6+6	7+7	8+8	9+9	10+10	11+11	12+12	13+13
Manifold only	cm	23,5	28,5	34,5	40	45	50	55	60	66,5	71,5	76,5
Manifold + ball valves	cm	33,5	38,5	44,5	50	55	60	65	70	76,5	81,5	86,5
Manifold + zone valves	cm	37	42	48	53,5	58,5	63,5	68,5	73,5	80	85	90
Manifold + ball valves + zone valves	cm	41,5	46,5	52,5	58	63	68	73	78	84,5	89,5	94,5

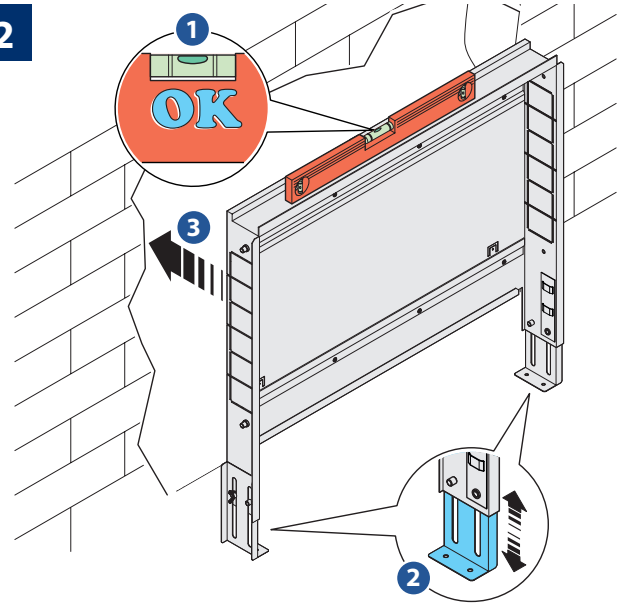
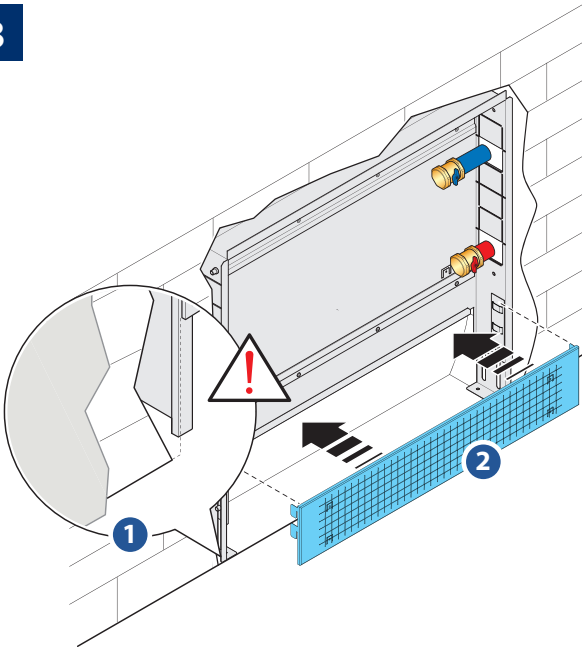
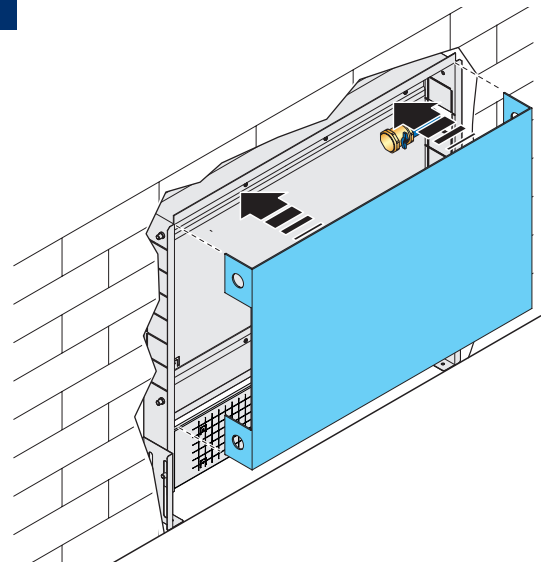
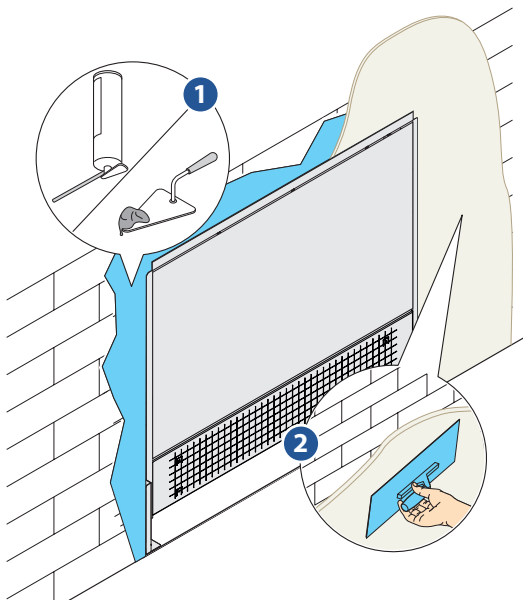
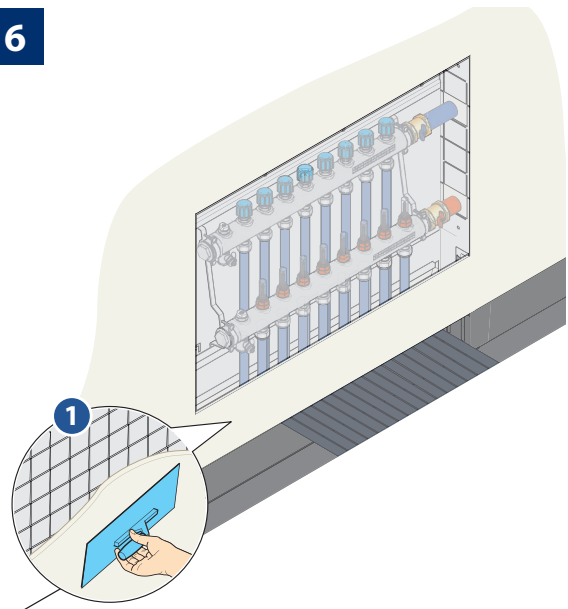
BASIC 50
BASIC 75
BASIC 100

3.2 OVERALL SIZE WITH PIPEWORK ON THE BOTTOM

BASIC MANIFOLD MADE OF STAINLESS STEEL

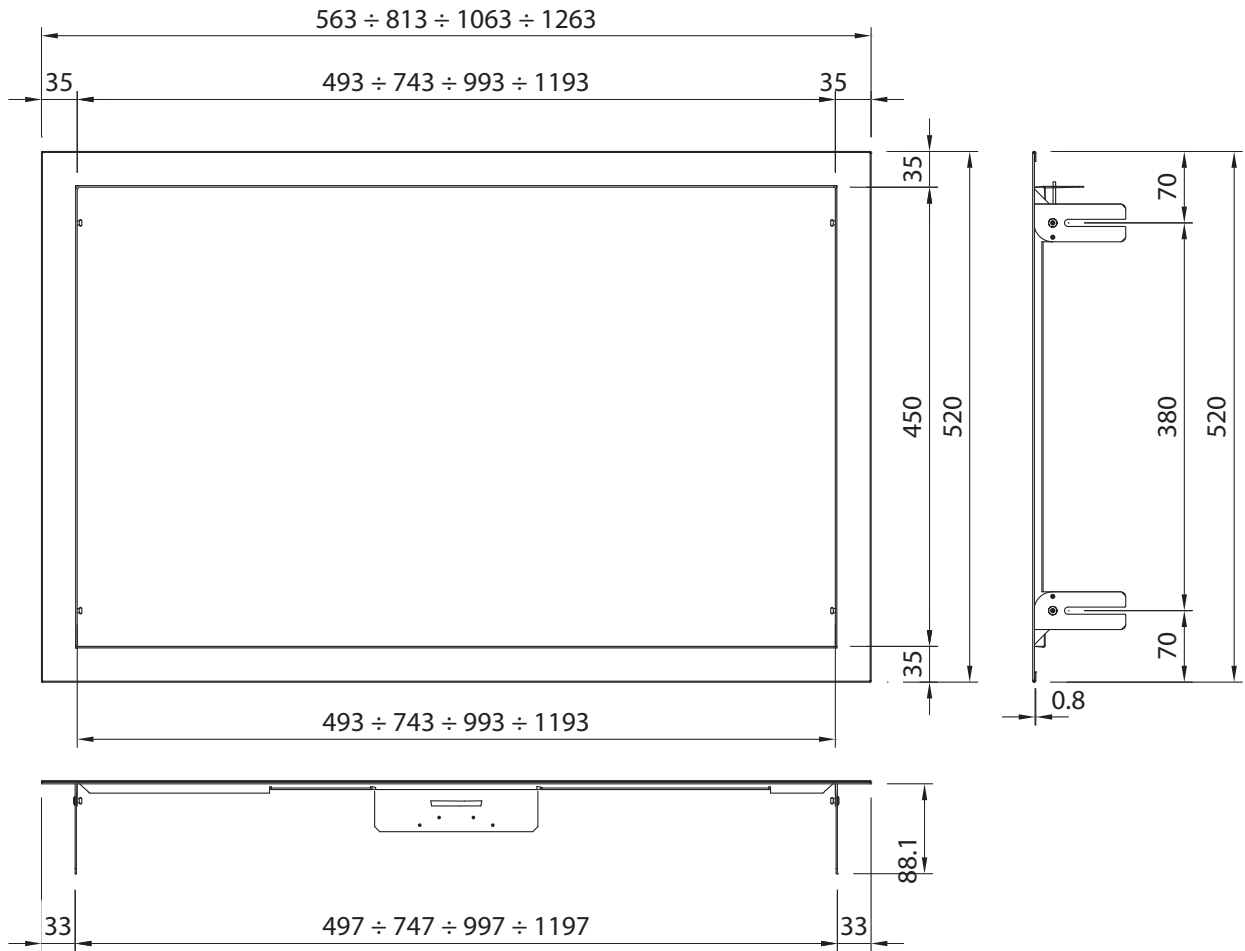
Number of outlets		3+3	4+4	5+5	6+6	7+7	8+8	9+9	10+10	11+11	12+12	13+13
Manifold only	cm	23,5	28,5	34,5	40	45	50	55	60	66,5	71,5	76,5
Manifold + ball valves	cm	33,5	38,5	44,5	50	55	60	65	70	76,5	81,5	86,5
Manifold + zone valves	cm	37	42	48	53,5	58,5	63,5	68,5	73,5	80	85	90
Manifold + ball valves + zone valves	cm	41,5	46,5	52,5	58	63	68	73	78	84,5	89,5	94,5

BASIC 50
BASIC 75
BASIC 100

4 INSTALLATION OF THE CABINET BODY**1****2****3****4****5****6**

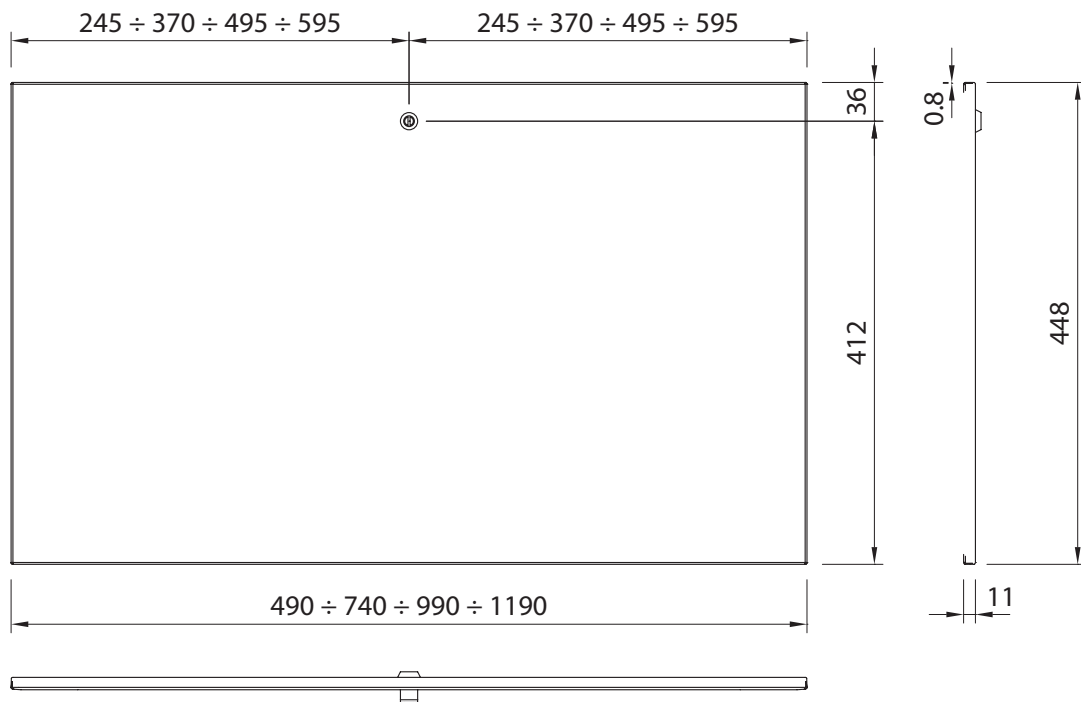
5 DIMENSIONS OF CABINET FRAME AND DOOR

CABINET FRAME



Unit of measurement (mm)

CABINET DOOR



Unit of measurement (mm)

6 INSTALLATION OF CABINET FRAME AND DOOR

