

**Product:** KLUDI control unit for single lever mixer Ø 35 mm

**Ref.:** 7560500-00

**Product description**

control unit for single lever mixer  
 ceramic cartridge with adjustable hot water  
 safety device  
 diameter 35 mm  
 in accordance to DN EN 817  
 LGA QualiTest type tested

Finishes:  
 00

**Product picture**

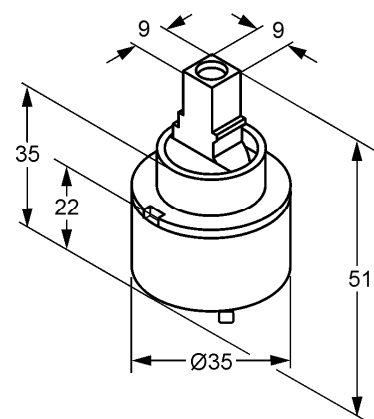


**Advertisement**

- \* KLUDI GmbH & Co KG KLUDI control unit Ø 35 mm  
 item no. 7560500-00
- \*\* ceramic cartridge with hot water safety device Ø 35 mm, DIN EN 817

control unit 35 mm, manufacturer KLUDI GmbH & Co KG KLUDI control unit Ø 35 mm  
 item no. 7560500-00, ceramic /plastic, with adjustable hot water safety device, acc.  
 to KTW-A - W 270, KIWA / ACS / WRAS, SAI- Global, diameter Ø 35 mm, in acc. to  
 drinking water order , LGA type tested with 70 000 cycles, max. operating  
 temperature 90°C, max. test pressure 25 bar, max. operating pressure 10 bar / for  
 operating pressure above 5 bar use pressure regulator to keep noise level acc. to DIN  
 4109, to save energy and to protect for scald we recommend max. 65 °C stored  
 temperature, PN 10,

**Dimensional drawing**



**Flow rate diagram**

