

**Product:** KLUDI control unit Eco-Plus Ø 46 mm

**Ref.:** 7640000-00

**Product description**

Eco-Plus control unit  
ceramic cartridge with adjustable hot water  
safety device  
with flow-rate and temperature regulator  
diameter 46 mm  
in accordance to DIN EN 817

Finishes:  
00

**Product picture**

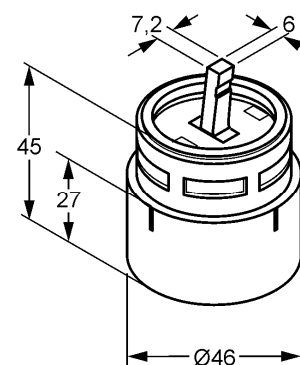


**Advertisement**

- \* KLUDI GmbH & Co KG KLUDI ceramic cartridge Eco Plus item no. 7640000-00
- \*\* ceramic cartridge with hot water safety device flow rate and temperature regulator Ø 46 mm, DIN EN 817

control unit 46 mm, manufacturer KLUDI GmbH & Co KG KLUDI control unit Ø 46 mm item no. 7640000-00, ceramic / plastic, with adjustable hot water safety device - flow rate and temperature regulator, acc. to DVGW KTW-A / W270, KIWA, ACS, diameter Ø 46 mm, in acc. to drinking water order, max. operating temperature 90°C, max. test pressure 25 bar, max. operating pressure 10 bar / for operating pressure above 5 bar use pressure regulator to keep noise level acc. to DIN 4109, tested in accordance to DIN EN 817 with 70 000 cycles, to save energy and to protect for scald we recommend max. 65 °C stored temperature, PN 10,

**Dimensional drawing**



**Flow rate diagram**

