

Product: **KLUDI control unit for single lever mixer Ø 46 mm**

Ref.: **7520100-00**

Product description

control unit for single lever mixer
 ceramic cartridge with adjustable hot water
 safety device
 diameter 46 mm
 in accordance to DIN EN 817

Finishes:
 00

Product picture

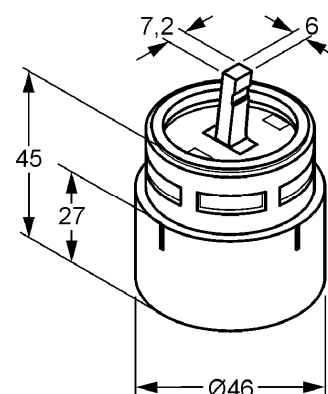


Advertisement

- * KLUDI GmbH & Co KG KLUDI control unit Ø 46 mm
 item no. 7520100-00
- ** ceramic cartridge with hot water safety device Ø 46 mm, DIN EN 817

control unit 46 mm, manufacturer KLUDI GmbH & Co KG KLUDI control unit 46 mm
 item no. 7520100-00, ceramic / plastic, with adjustable hot water safety device, acc.
 to DVGW KTW-A W270, KIWA, ACS, WRAS, diameter Ø 46 mm, in acc. to drinking
 water order, max. operating temperature 90°C, max. test pressure 25 bar, max.
 operating pressure 10 bar / for operating pressure above 5 bar use pressure regulator
 to keep noise level acc. to DIN 4109, life test by LGA in accordance to DIN EN 817
 with 70 000 cycles, to save energy and to protect for scald we recommend max. 65
 °C stored temperature, PN 10

Dimensional drawing



Flow rate diagram

