

Product: **KLUDI Temperature control unit**

Ref.: **7447000-00**

Product description

Temperature control unit
for KLUDI thermostatic mixers
with wax sensor
in accordance to DIN EN 1111

Finishes:
00

Advertisement

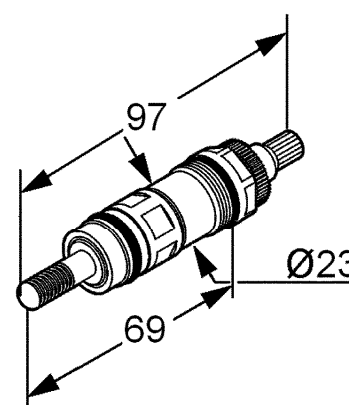
- * KLUDI GmbH & Co KG KLUDI Temperature control unit
item no. 7447000-00
- ** brass, DIN 50930-6
- *** DIN EN 1111

Temperature control unit, manufacturer KLUDI GmbH & Co KG KLUDI Temperature control unit item no. 7447000-00, brass, noise level in acc. to DIN 4109, with wax expansion element, in acc. to DIN EN 1111, diameter Ø 23 mm, in acc. to drinking water order, in acc. to KTW-A - W 270 / ACS / WRAS / max. operating temperature 90 ° C, max. test pressure 25 bar, max. operating pressure 10 bar / for operating pressure above 5 bar use pressure regulator to keep noise level acc. to DIN 4109, to save energy and to protect for scald we recommend max. 65 °C stored temperature, type tested in accordance to DIN EN 1111 with 50 000 cycles, we recommend operating pressure 3 - 5 bar, PN 10,

Product picture



Dimensional drawing



Flow rate diagram

