

CRISTINA S.r.l
a socio unico
28024 - GOZZANO (NO)
Via Fava N.56
Tel.0322-9545

PE511

CRISTINA
RUBINETTERIE

DATA

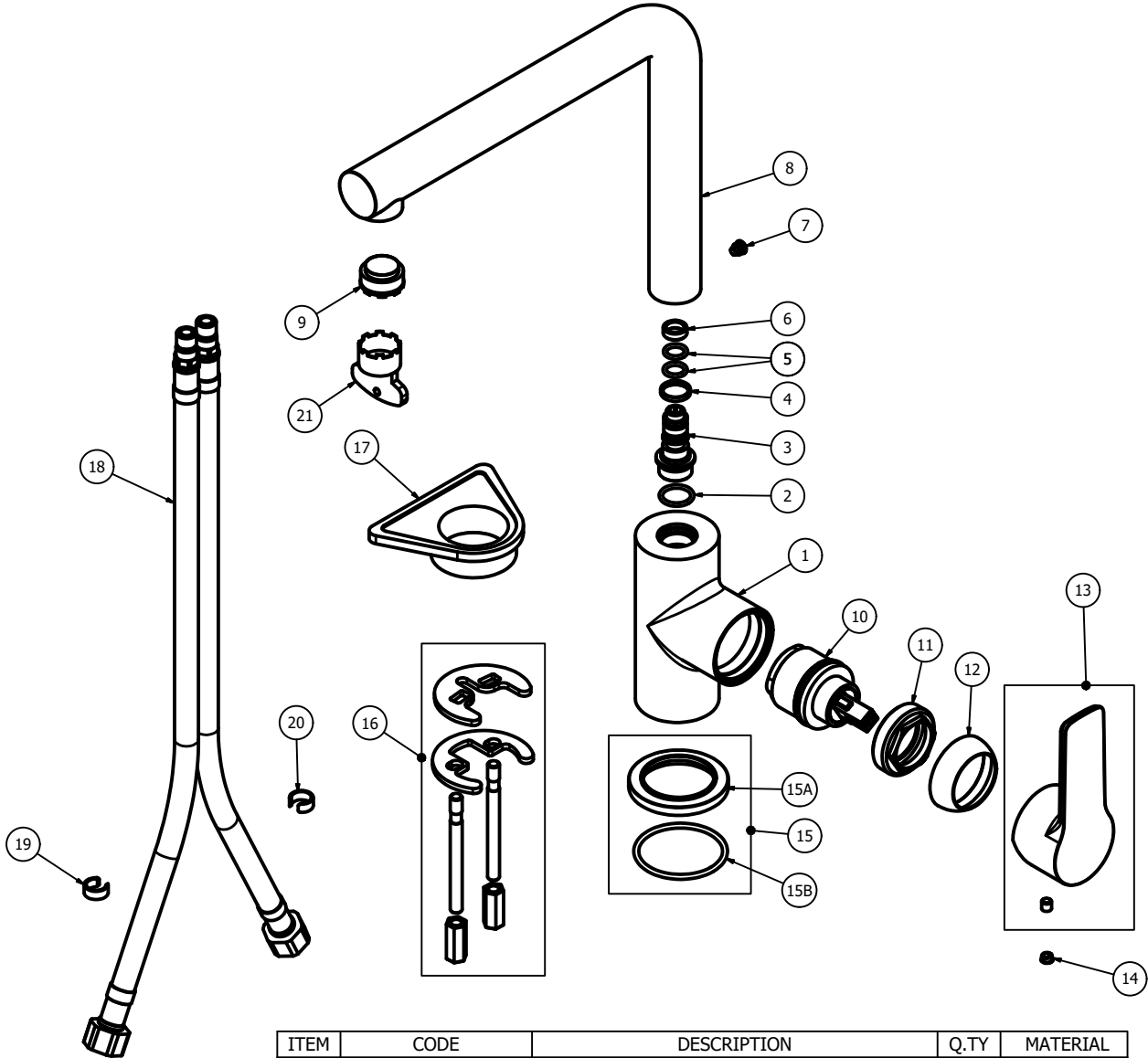
R

MISCELATORE PER LAVELLO LATERALE GIREVOLE

.. / .. / ..

1

COSTRUITO SECONDO NORMATIVA UNI-EN:



ITEM	CODE	DESCRIPTION	Q.TY	MATERIAL
1	G35C27BBC	KITCHEN MIXER VERTIGO	1	CC757S-DW
2	GU8006SOS	OR 14x1,78	1	EPDM
3	G41C31CBG	CONNECTION KITCHEN MIXER VERTIGO	1	CW617N-DW
4	16636SOS	PLASTIC RING Ø15	1	ULTRAFORM
5	008.73X01.78NB7	OR 8,73X1,78	2	EPDM
6	17402	PLASTIC RING Ø11,95	1	ULTRAFORM
7	V2170SOS	SCREW INOX M6	1	INOX
8	S77C55SBC	ROUND SPOUT H183 VERTIGO	1	CW508L-DW
9	42.2203.01000	CACHE'-HC-JR-MALE M21,5x1-A	1	-
10	CRHCR18847Q00	CARTRIDGE Ø35 OPEN CRISTINA	1	-
11	GHIERABLSOS	LOCKING NUT	1	CW614N
12	CAPBLSOS	PLASTIC CAP	1	ABS
13	A35C27LZCYC	LEVER VERTIGO W/GRUB+R/B+LOGO INV	1	ZAMAK
14	A047069.00101ZZ	PLASTIC BUTTON D5,25 T6,2	1	ABS
15	A14C13BCA	BASE Ø50 + OR 42X2,5	1	-
15A	A14C13CBC	BASE Ø50	1	ZAMAK
15B	-	OR 42x2,5	1	NBR
16	LOCKBLSOS	LOCKING KIT	1	-
17	PL9014SOS	TRIANGULAR FIXING BASE	1	ABS
18	AL6SOS	FLEX INOX DN6 M10X1 F3/8 400 MM	2	-
19	PP13963M07	RED PLASTIC RING	2	ABS
20	PP13963M03	BLUE PLASTIC RING	1	ABS
21	-	KEY FOR AERATOR	1	ABS