

**Product:** KLUDI ZENTA thermostatic shower mixer DN 15

**Ref.:** 35100..38

**Product description**

thermostatic shower mixer DN 15	Finishes:
wall fastening	05 chrome
flow class B	86 chrome/black
temperature control handle with hot water safety device 38°C	91 chrome/white
ceramic headpart 90°	
shower outlet G 1/2	
protected against back flow	
S unions	
dirt catcher sieve	
without shower set	
noise group I	
P-IX 18064/IB	

**Product picture**

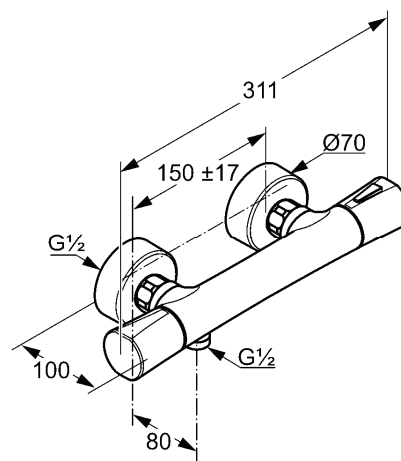


**Advertisement**

- \* KLUDI GmbH & Co KG KLUDI ZENTA thermostatic shower mixer item no. 35100..38
- \*\* temperature control handle with hot water safety device 38°C, DIN EN 1111
- \*\*\* plated brass, DIN 50930-6, p.a.b. DIN EN 1717
- \*\*\*\* ceramic headpart 90°, DIN EN 200

thermostat shower mixer, manufacturer KLUDI GmbH & Co KG KLUDI ZENTA  
 thermostat shower mixer item no. 35100..38, DN 15, finishes: 05 chrome; 86 chrome/black; 91 chrome/white plated brass, ceramic headpart 90°, handles .. plated plastic, noise level DIN EN 4109 group I, report no. P- IX 18064/IB, temperature control handle with hot water safety device 38°C, type: thermostat shower mixer DN 15, flow class B (max. 0,42 l/s), with shower outlet 1/2 inch, protected against back flow DIN EN 1717, S-unions 1/2 x 3/4 inch, with dirt-catcher sieve, projection shower outlet 80 mm, breadth 311 mm, for pressure type water heater, for continuous line heater, PN 10, WRAS approval no 1007317

**Dimensional drawing**



**Flow rate diagram**

