

Product: **KLUDI ZENTA 2 S shower set DN 15**

Ref.: **6073005-00**

Product description

KLUDI ZENTA shower set DN 15
 L = 600 mm
 with slider horizontally and vertically adjustable
 with KLUDI ZENTA 2 S handshower DN 15
 with cleaning system
 adjustable to 2 spray patterns
 shower spray / champagne rain
 with KLUDI LOGOFLEX-hose
 plastic coated with metal-effect
 G 1/2 x G 1/2 x 1600 mm, with conical nuts
 handshower with optional usable 50 % water
 consumption regulation
 noise group I

Finishes:
 05 chrome

Advertisement

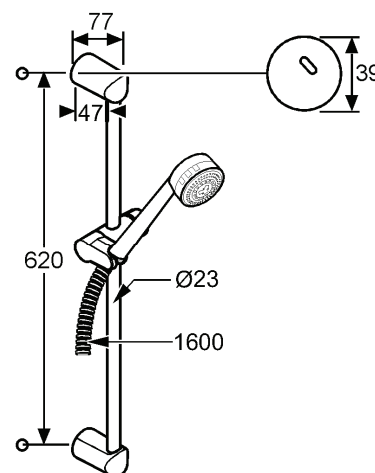
- * KLUDI GmbH & Co KG KLUDI ZENTA 2 S shower set item no. 6073005-00
- ** chrome plated brass / plastic
- *** DIN EN 1112 / DIN EN 1113

shower set, manufacturer KLUDI GmbH & Co KG KLUDI ZENTA 2 S shower set item no. 6073005-00, DN 15, chrome plated brass / plastic, length 600 mm, with horizontal and vertical adjustable slider, for borehole distance 620 mm, with KLUDI LOGOFLEX hose 1/2 x 1/2 inch x 1600 mm, with conical nuts, with metal effect, with handshower ZENTA 2 S chrome plated plastic, with 2 spray patterns: shower spray / champagne rain, noise level DIN EN 4109 group I, without report no., flow class B max. (0,40 l/s), with cleaning system, connection 1/2 inch, diameter shower head 84 mm, length 230 mm, for pressure type water heater, for continuous line heater (at 0,15 l/s), with optional usable 50 % water consumption regulation ~ 9,5 l/min at 3 bar running pressure (water consumption regulation not for hydraulic continuous line heater), PN 5,

Product picture



Dimensional drawing



Flow rate diagram

