

Product: KLUDI A-QA b handshower DN 15

Ref.: 6560005-00

Product description

handshower DN 15
 flow class B / Z
 50 % eco-function
 with cleaning system
 with shower spray from 60 spray nozzles
 1/2 inch male thread
 flow rate = 18,0 l/min at 3 bar
 eco- flow rate = 9,0 l/min at 3 bar
 eco function is not suitable for inlet-control heater
 noise group I

Finishes:
 chrome

Advertisement

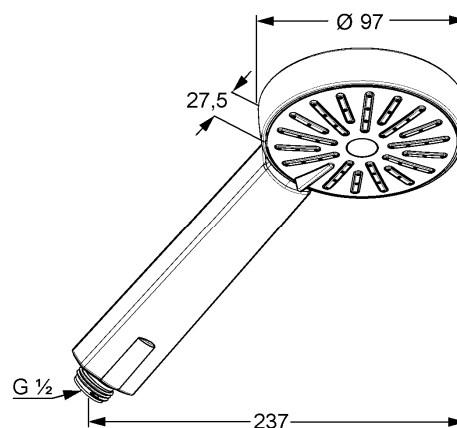
- * KLUDI GmbH & Co KG KLUDI A-QA b 1 S handshower item no. 6560005-00
- ** chrome plated plastic, DIN EN 248
- *** DIN EN 1112

handshower, manufacturer KLUDI GmbH & Co KG KLUDI A-QA b 1 S handshower item no. 6560005-00, DN 15, chrome plated plastic, noise level DIN EN 4109, group I, noise test application report no. P- IX ..., flow class B shower spray (max. 0,38 l/s) flow class Z for eco- function (max. 0,17 l/s), with cleaning system, with shower spray out of 60 spray nozzles, for pressure type water heater, for continuous line heater (inlet-control heater at 0,20 l/s), connection 1/2 inch, diameter shower head \varnothing 97 mm, length 237 mm, PN 5,

Product picture



Dimensional drawing



Flow rate diagram

