

Product: KLUDI BOZZ wall spout DN 20

Ref.: 3850505

Product description

wall spout DN 20
 wall fastening
 flow class C
 cascade aerator M 24 x I
 projection 160 mm
 with sliding cover plate Ø 56 mm
 connection 3/4 male thread
 noise group I

Finishes:
 05 chrome

Product picture

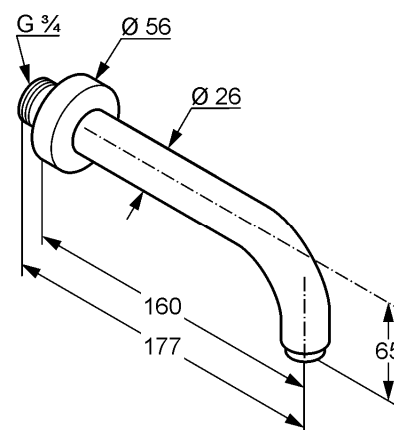


Advertisement

- * KLUDI GmbH & Co KG KLUDI BOZZ wall spout item no. 3850505
- ** chrome plated brass, DIN 50930-6
- *** DIN EN 200

wall spout, manufacturer KLUDI GmbH & Co KG KLUDI BOZZ wall spout item no. 3850505, type: wall spout DN 20, cascade aerator M 24 x IC, sliding cover plate, nozzle projection 160 mm, chrome plated brass, diameter cover plate Ø 56 mm, wall spout with male connection 3/4 inch, PN 5,

Dimensional drawing



Flow rate diagram

