

**KLUDI A-QA Thermostatic Dual Shower System  
DN 15**

Ref.: **4909505-00**

**Product description**

Thermostatic Dual Shower System DN 15  
with horizontally and vertically adjustable riser pipe  
wall fastening  
temperature control handle with hot water safety device 38°C  
with ceramic shut-off valve as rotary valve 90°/90°  
outlet hand shower (below) rotate the handle to the rear  
outlet head shower (up) rotate the handle forward  
protected against back flow  
shower holder vertically and horizontally adjustable  
with KLUDI SUPRAFLEX SILVER shower hose 1/2 x 1/2 inch x 1600 mm  
with KLUDI A-QA swivel head shower KB 3  
with KLUDI A-QA hand shower 1 S, with one spray pattern  
with fixing kit, with dirt-catcher sieve

Finishes:  
05 chrome

Product:

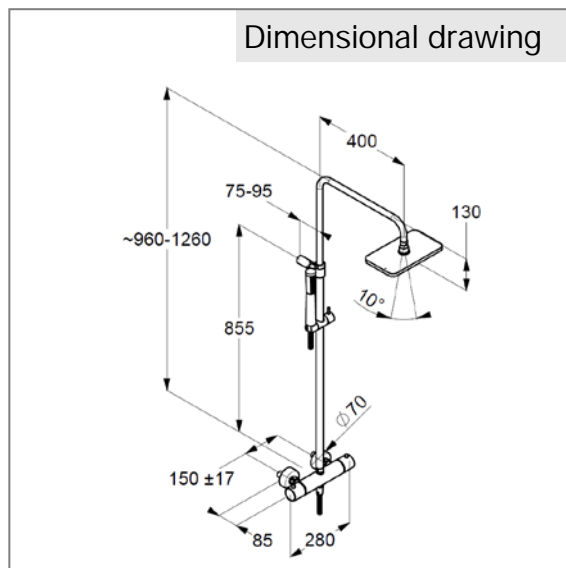
Product picture



**Advertisement**

thermostatic shower mixer, manufacturer KLUDI GmbH & Co. KG  
KLUDI A-QA item no.4909505-00  
type: Thermostatic Dual Shower System, DN 15 / PN 10, chrome plated brass/plastic,  
ceramic shut-off valve as a rotary valve 90°/90°, solid handle chrome plated plastic,  
temperature control handle with hot water safety device 38 °C, with dirt-catcher sieve  
and backflow preventer, flow rate hand shower 15,5 l/min at 3 bar, flow rate head  
shower 22 l/min at 3 bar, protected against back flow DIN EN 1717, concealed S  
unions 1/2 x 3/4 inch, with KLUDI A-QA swivel head shower KB 3 with cleaning sys-  
tem, connection 1/2 inch, with KLUDI A-QA hand shower 1 S, with cleaning system,  
with one spray pattern, chrome plated plastic, connection 1/2 inch, with KLUDI  
SUPRAFLEX SILVER shower hose 1/2 x 1/2 inch x 1600 mm, metal-effect (silver),  
outlet to head shower (up) with horizontally and vertically adjustable rigid shower  
riser, chrome plated, with slider horizontally and vertically adjustable, with wall sock-  
et, with fixing kit  
dimensions: height: 960-1260 mm, projection: 400 mm, head shower: 246x142 mm,  
hand shower: 220 mm, width thermostatic mixer: 280 mm  
for pressure type water heater, for continuous line heater

Dimensional drawing



Flow rate diagram

