

**Product:** KLUDI A-QA Thermostatic Dual Shower System  
DN 15

**Ref.:** 6619505-00

### Product description

Thermostatic Dual Shower System DN 15  
with horizontally and vertically adjustable riser pipe  
wall fastening  
temperature control handle with hot water safety device 38°C  
with ceramic shut-off valve as rotary valve 90°/90°  
outlet hand shower (below) rotate the handle to the rear  
outlet head shower (up) rotate the handle forward  
protected against back flow  
shower holder vertically and horizontally adjustable  
with KLUDI SUPARAFLEX shower hose 1/2 x 1/2 inch x 1600 mm  
with KLUDI A-QA swivel head shower Ø 250 mm  
with KLUDI A-QA s hand shower 3 S, with three spray patterns  
with fixing kit, with dirt-catcher sieve

Finishes:  
05 chrome

Product picture



### Advertisement

thermostatic shower mixer, manufacturer KLUDI GmbH & Co. KG

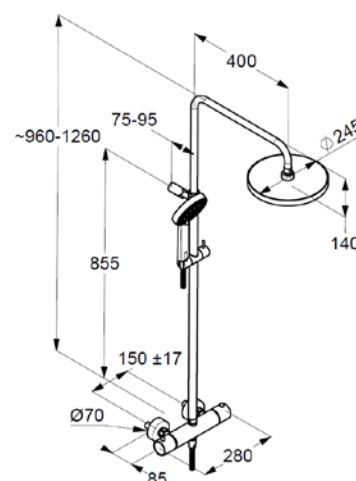
KLUDI A-QA s item no. 6619505-00

type: Thermostatic Dual Shower System, DN 15 / PN 10, chrome plated brass/plastic,  
ceramic shut-off valve as a rotary valve 90°/90°, solid handle chrome plated plastic,  
temperature control handle with hot water safety device 38 °C, with dirt-catcher sieve  
and backflow preventer, flow rate hand shower booster 11,6 l/min / smooth 11,7  
l/min / volume 15,5 l/min at 3 bar, flow rate head shower 16,3 l/min at 3 bar, protect-  
ed against back flow DIN EN 1717, concealed S unions 1/2 x 3/4 inch, with KLUDI A-  
QA swivel head shower, chrome plated, with cleaning system, connection 1/2 inch,  
with KLUDI A-QA s hand shower 3 S with booster / smooth / volume spray, chrome  
plated plastic, with cleaning system, connection 1/2 inch, with KLUDI SUPARAFLEX  
shower hose 1/2 x 1/2 inch x 1600 mm, plastic coated with metal effect, outlet to  
head shower (up) with horizontally and vertically adjustable rigid shower riser, chrome  
plated, with slider horizontally and vertically adjustable, with wall socket, with fixing  
kit

dimensions: height: 960-1260 mm, projection: 400 mm, head shower: Ø 250 mm,  
hand shower: Ø 120/250 mm, width thermostatic mixer: 282 mm

for pressure type water heater, for continuous line heater

Dimensional drawing



Flow rate diagram

