

Technische Daten/ Technical Data

KLUDI 1926
angle valve
DN 15

Ref.:
518434520

Finishes:
45 gold plated 23 carat

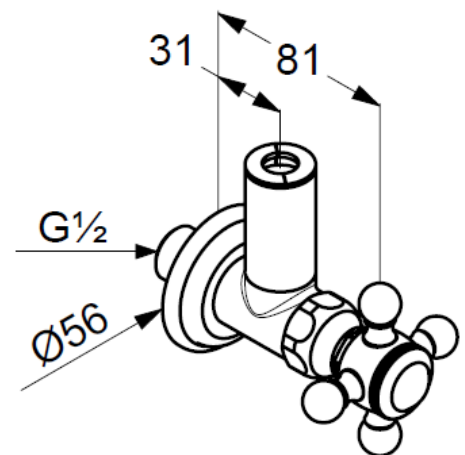
Product description
Manufacturer KLUDI GmbH & Co. KG
Typ: KLUDI 1926
angle valve
Ref.: 518434520

angle valve
wall mounted
cross handle, metal
ceramic headparts 90°
connection G $\frac{1}{2}$
with push-on rosette \varnothing 56mm
marking neutral

Produktabbildung/ Product picture



Maßzeichnung/ Dimensional drawing



Durchfluss/ Flow rate

