

Technische Daten/ Technical Data

KLUDI BALANCE

electronic controlled basin mixer
DN 15

Ref.:
5220091

Finishes:
91 white/chrome

Product description

Manufacturer KLUDI GmbH & Co. KG
Typ: KLUDI BALANCE
electronic controlled basin mixer
Ref.: 5210091

basin mixer

electronic controlled with 6V Lithium Battery CR-P2

1-hole mounted

mixing shaft with temperature handle

optical object registration

aerator M24

protected against back flow

flow rate at 3 bar 7,6 l/min.

flexible hoses G $\frac{3}{8}$ DVGW approved

with integrated back flow preventer

rapid installation set

activation optoelectrical

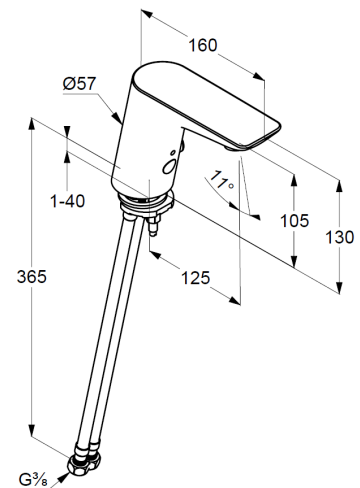
maximum water run- time 2 minutes

safety class IP65

Produktabbildung/ Product picture



Maßzeichnung/ Dimensional drawing



Durchfluss/ Flow rate

