

Technische Daten/ Technical Data

KLUDI BALANCE

electronic controlled pillar tap
DN 15

Ref.:
5210505

Finishes:
05 chrome

Product description

Manufacturer KLUDI GmbH & Co. KG

Typ: KLUDI BALANCE

electronic controlled pillar tap

Ref.: 5210505

pillar tap

electronic controlled with 6V Lithium Battery CR-P2

1-hole mounted

optical object registration

aerator M24

protected against back flow

flow rate at 3 bar 7,6 l/min.

flexible hoses G $\frac{3}{8}$ DVGW approved

rapid installation set

activation optoelectrical

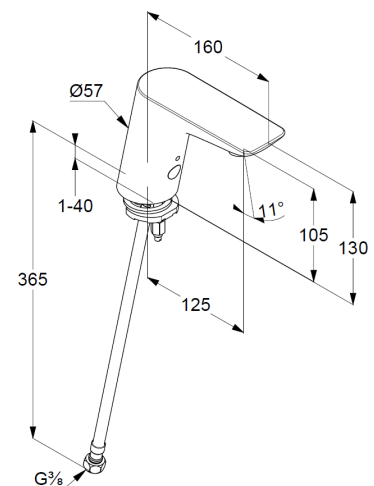
maximum water run- time 2 minutes

safety class IP65

Produktabbildung/ Product picture



Maßzeichnung/ Dimensional drawing



Durchfluss/ Flow rate

