

Technische Daten

KLUDI ZENTA SL
single lever basin mixer 100
DN 15

Article- Nr.:
482920565

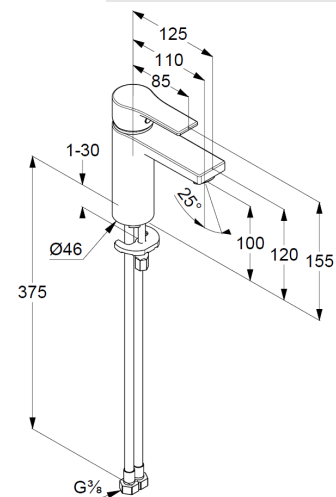
Surface:
05 chrome

manufacturer KLUDI GmbH & Co. KG
Typ: KLUDI ZENTA SL
single lever basin mixer 100,
DN 15/ PN 10
Art. Nr. 482920565
basin mixer
single lever mixer
single hole mounted
solid handle, metal
aerator M24
ceramic cartridge with hotwater safety device
flow rate at 3 bar = 7 l/ min.
flexible hoses G 3/8 DVGW approved
rapid installation set

Product Picture



Dimensional drawing



Flow rate diagram

