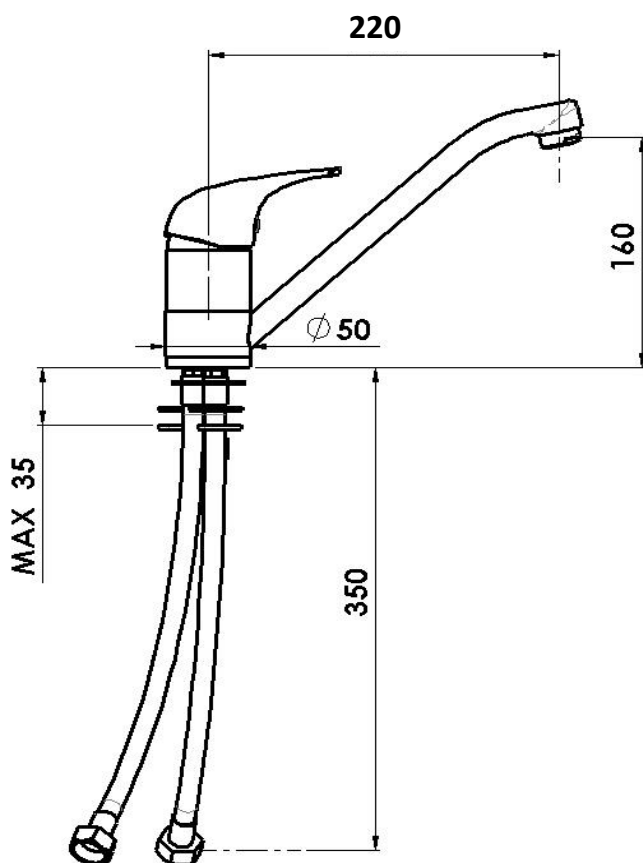


ART. COD.

K402ROE4



PORTATA LIMITATA / LIMITED FLOW 3,8 l/min

**MATERIALI / MATERIALS**

OTTONE CROMATO / CHROME PLATED BRASS

**CROMATURA / CHROME PLATING**

UNI EN 248