

Order number: 03 056 00 99

## SCHELL WC module MONTUS

Module H 115 cm with concealed cistern 12 cm (Type C 120)  
 WC mounting module for stud partition or exposed installation  
 self-supporting steel profiled frame with height adjustable feet, surface with powder coat finish  
 With pre-mounted SCHELL concealed cistern.  
 Watersaving takes place by dual flush and delayed filling process (saves appr. 0,5 l/ flush)

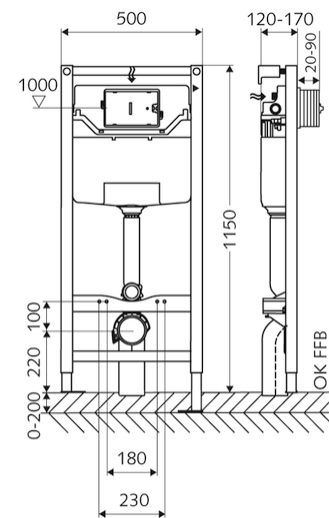


### Scope of delivery:

- mounting element height 115 cm
- fitting connection R 1/2 ext. thread, middle of rear side
- WC concealed cistern 120 mm, operation from ahead
- mounting feet adjustable in height 0 - 200 mm
- fastening material for mounting feet
- SCHELL regulating angle valve, filling valve, noise class I
- flush pipe Ø 45 mm, with plug
- PP-arch of discharge Ø 90 mm, with plug
- reducer Ø 90 / 110 mm
- WC connection fittings Ø 90 mm
- WC bolts M 12 x 200 mm, with protection hose, nuts and cover caps

### Field of application / Technical data:

- for wall-mounted WC's with 180 or 230 mm mounting dimension
- works setting: 3 and 6 l
- small flush volume: 3 / 3 l
- large flush volume: 6 / 7 l
- loadable up to 400 kg by using wall mounting set MONTUS 03 071 00 99 or 03 077 00 99



### Details:

- Test Mark: Belgaqua, certificates on request
- Weight: 12.72 kg/pc.
- Packaging unit: 1
- Dimension: Water connection DN 15 R 1/2 ext. thread

### Versions:

Dimension: DN 15 R 1/2 ext. thread      Order No.: [03 057 00 99](#)  
 with wall mounting set MONTUS, 03 071 00 99 and  
 WC sound-insulation mat, PU 1, W: 13.04 kg/pc.  
 Dimension: DN 15 R 1/2 ext. thread      Order No.: [03 057 00 99](#)  
 with wall mounting set MONTUS, 03 071 00 99 and  
 WC sound-insulation mat, PU 1, W: 13.04 kg/pc.

### Required associated item:

|                                  |                                            |
|----------------------------------|--------------------------------------------|
|                                  | or                                         |
|                                  | or                                         |
|                                  | or                                         |
|                                  | or                                         |
| WC operating panel MONTUS PLACE  | Order No.: <a href="#">03 070 28 99</a> or |
| WC operating panel MONTUS CIRCUM | Order No.: <a href="#">03 119 06 99</a> or |
|                                  | Order No.: <a href="#">03 119 64 99</a> or |
|                                  | Order No.: <a href="#">03 119 15 99</a> or |
| WC operating panel MONTUS BOARD  | Order No.: <a href="#">03 120 06 99</a> or |

|                                   |                                         |    |
|-----------------------------------|-----------------------------------------|----|
|                                   | Order No.: <a href="#">03 120 64 99</a> | or |
|                                   | Order No.: <a href="#">03 120 15 99</a> | or |
| WC operating panel MONTUS TOWER   | Order No.: <a href="#">03 121 06 99</a> | or |
|                                   | Order No.: <a href="#">03 121 64 99</a> | or |
|                                   | Order No.: <a href="#">03 121 15 99</a> | or |
| WC operating panel MONTUS KONKAV  | Order No.: <a href="#">03 122 06 99</a> | or |
|                                   | Order No.: <a href="#">03 122 64 99</a> | or |
|                                   | Order No.: <a href="#">03 122 15 99</a> | or |
| WC operating panel MONTUS FIELD   | Order No.: <a href="#">03 126 06 99</a> | or |
|                                   | Order No.: <a href="#">03 126 64 99</a> | or |
| WC operating panel MONTUS FIELD E | Order No.: <a href="#">03 123 06 99</a> |    |
| WC sound-insulation mat           | Order No.: <a href="#">03 001 00 99</a> |    |
| wall mounting set MONTUS          | Order No.: <a href="#">03 071 00 99</a> | or |
|                                   | Order No.: <a href="#">03 077 00 99</a> |    |

---