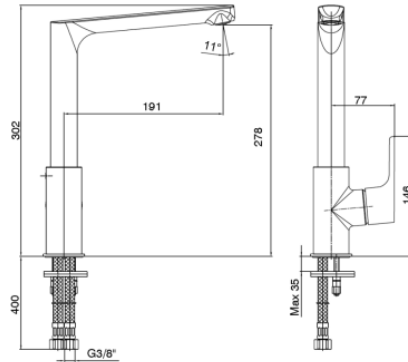


# E.C.A.®

## 102118043STEX crom LUNA SINK MIXER (CASTING OUTPUT)



### Application:

Operation with unpressurised storage heaters is **not** possible.

### Technical Specifications:

Recommended Operation Pressure Range: 1–5 bar

Minimum Operation Pressure: 0.5 bar

Maximum Operation Pressure: 10 bar

Water debit: 3.8 l/min

Maximum Water Inlet Temperature: 80 °C

Recommended Water Inlet Temperature: 60 °C

Room Temperature: 5–60 °C

If static pressure exceeds 5 bar, a pressure-reducing valve must be fitted.

Avoid major pressure differences between hot and cold water supply.

Member of  
**Elginkan**  
Group