

SANHA®-Therm
SANHA®-Therm Industry

SANHA
a perfect fit

combipress

= Tool Compatibility + Push & Stay
+ Leak Path Feature

exclusive from SANHA

pressable with
V, M and SA-profile

Press systems in carbon steel

System fittings and pipes
in carbon steel for closed circuits

SANHA®-Therm | SANHA®-Therm Industry

efficient – reliable – practice-oriented

The SANHA®-Therm installation system consists of tried and trusted SANHA®-Therm press fittings from carbon steel [c-steel] with a black sealing ring from EPDM [ethylene propylene dien rubber monomere] and SANHA®-Therm carbon steel pipes according to EN 10305-3. The carefully manufactured installation system and its components offer an economically attractive solution for closed heating installations. At the same time, SANHA®-Therm ist especially well suited for pressurised air and fire extinguishing systems according to EN 10346 [DZ version]. The variant „Contiflo“ also offers galvanized system pipes which are characterized by being easy to bend. Our C-steel system is furthermore available as a LABS*-/silicone free version [series 27000].

SANHA's focus is on the installer.
This is why our products meet the stringent demands of the modern construction site:

Tool compatibility!

To avoid difficulties during installation, all our products are designed in such a way as to ensure perfect tool compatibility. This means that you can work fast, reliably and professionally with your existing tools and minimise installation errors.

Efficiency!

Carbon steel is an ideal material for closed circuits, such as heating, solar and fire extinguishing systems, as well as for compressed air and cooling system applications. Economical solutions can be achieved with the combination of the various pipes and the factory fitted high-temperature FKM sealing ring.

Practically driven!

SANHA®-Therm pipes are also offered in a 3-m version to facilitate transport and on site handling.

combipress
= Tool Compatibility + Push & Stay
+ Leak Path Feature
exclusive from SANHA



Heat-resistant
FKM sealing ring
Your Advantage:
Reliable safety
up to 200 °C

Tight pipes due to innovative
push & stay function
Your Advantage: Easier installation

Full tool compatibility
Your Advantage: Existing tools can be used
saving time and reducing errors

Leak path feature
Your Advantage: Greater installation reliability

* LABS = paint wetting disruptive substances

Suitable for many applications

The SANHA®-Therm system fittings are factory inserted with black EPDM sealing rings and the SANHA®-Therm Industry system fittings with red FKM sealing rings, for several media and temperatures, and are clearly marked accordingly. Due to the particularly broad product range and the various carbon steel pipes, this system can be used for many applications:

SANHA®-Therm [24000]	SANHA®-Therm Industry [28000]
Sealing ring: EPDM (Black)	Sealing ring: FKM (Red)
Operating temperature: – 30 °C bis + 120 °C	Operating temperature: – 20 °C bis + 200 °C (depends on medium)
Application: · Heating (closed circuits - no DZ pipes) · Solar · Cooling water* · Compressed air (oil free) · Extinguishing (no DZ pipes) · Glycol	Application: · Solar · Cooling water* · Compressed air (independent of the oil class) · Glycol

Operating conditions

Water and aqueous solutions d ≤ 108 mm 16 bar
Technical gases (non-toxic, non-flammable) d ≤ 108 mm 16 bar
Type of thread Pipe thread: R/Rp thread according to EN 10226
Fastening thread G thread according to ISO 228

* Depending on temperature and pressure - please contact our Technical Support at 01628 819245.

For increased requirements of corrosion protection - for example for installation within or under the screed - an appropriate protective layer is required. Closed-cell insulation material or aluminium-covered mineral fibre insulation are frequently used. NiroSan® stainless steel pipes and fittings are also a practical and, in combination with NiroTherm® tubes, very economical alternative in high corrosion risk areas.

Suitable for these SANHA®-Therm system pipes

Series 24000 / 24500

- Installation pipes, galvanized on the outside, in rods of 3 and 6 meters
- Longitudinally welded
- pressure tight
- thin-walled
- galvanized precision steel pipes made of unalloyed steel E195 (RST 34-2) with material no. 1.0034, according to EN 10305-3, condition on delivery +CR1.

DZ Series 24000-DZ

- Installation pipes, galvanized on the inside and outside, in rods of 6 meters:
- Longitudinally welded
- thin-walled precision steel pipes made of unalloyed steel
- The pipes are manufactured from continuously galvanized steel process according to EN 10346.
- The strip material is proven to be an E195 (RST 34-2) with the material no. 1.0034, according to EN 10305-3, condition on delivery +CR2. After the strip zinc-coating, it is an E195, +CR2 S4, Z275 MBO material.
- Available in the dimensions 22 to 108 mm (sprinkler portfolio 24000# series).

Contiflo Series 24000# / 24500#

- Installation pipes Contiflo, galvanized, in rods of 6 and 3 meters
- thin-walled hot-dip galvanized steel pipes in unalloyed steel E195 with the material no. 1.0034 according to EN 10305-3, which allow deformation processing
- invisible weld seam
- clean, dry and oil/grease-free surface

SANHA®-Therm | SANHA®-Therm Industry Industry product range

System pipes in carbon steel (1.0034)

All fittings at a glance

for heating, compressed air and closed cooling systems

24000 in 6 m rods	
Art.-Nr.	Dimensions
12400012	12 x 1,2
12400015	15 x 1,2
12400018	18 x 1,2
12400022	22 x 1,5
12400028	28 x 1,5
12400035	35 x 1,5
12400042	42 x 1,5
12400054	54 x 1,5
12400067	67 x 1,5
12400076	76,1 x 2,0
12400089	88,9 x 2,0
12310063	108,0 x 2,0

24500 in 3 m rods	
Art.-Nr.	Dimensions
12450012	12 x 1,2
12450015	15 x 1,2
12450018	18 x 1,2
12450022	22 x 1,5
12450028	28 x 1,5
12450035	35 x 1,5
12450042	42 x 1,5
12450054	54 x 1,5
12450067	67 x 1,5
12450076	76,1 x 2,0
12450089	88,9 x 2,0
124500108	108,0 x 2,0

24000# in 6 m rods, Contiflo-galvanized	
Art.-Nr.	Dimensions
12400012#	12 x 1,2
12400015#	15 x 1,2
12400018#	18 x 1,2

24500# in 3 m rods, Contiflo-galvanized	
Art.-Nr.	Dimensions
12450012#	12 x 1,2
12450015#	15 x 1,2
12450018#	18 x 1,2

for sprinkler, compressed air and closed cooling systems

24000-DZ in 6 m rods, internally and externally zinc-coated	
Art.-Nr.	Dimensions
124000DZ18	18 x 1,5
124000DZ22	22 x 1,5
124000DZ28	28 x 1,5
124000DZ35	35 x 1,5
124000DZ42	42 x 1,5
124000DZ54	54 x 1,5
124000DZ76	76,1 x 2,0
124000DZ89	88,9 x 2,0
124000DZ108	108,0 x 2,0

24001 A 90° bend, female end/male plain end	
Art.-Nr.	Dimensions
124001A12	12
124001A15	15 HT
124001A18	18 HT
124001A22	22 HT
124001A28	28 HT
124001A35	35 HT
124001A42	42 HT
124001A54	54 HT
124001A67	67
124001A76	76,1 HT
124001A89	88,9 HT
124001A108	108,0 HT

24040 45° bend, female end/male plain end	
Art.-Nr.	Dimension
12404012	12
12404015	15 HT
12404018	18 HT
12404022	22 HT
12404028	28 HT
12404035	35 HT
12404042	42 HT
12404054	54 HT
12404067	67
12404076	76,1 HT
12404089	88,9 HT
124040108	108,0 HT

24002 A 90° bend, female/female end	
Art.-Nr.	Dimensions
124002A12	12
124002A15	15 HT
124002A18	18 HT
124002A22	22 HT
124002A28	28 HT
124002A35	35 HT
124002A42	42 HT
124002A54	54 HT
124002A67	67
124002A76	76,1 HT
124002A89	88,9 HT
124002A108	108,0 HT

24041 45° bend, female/female end	
Art.-Nr.	Dimension
12404112	12
12404115	15 HT
12404118	18 HT
12404122	22 HT
12404128	28 HT
12404135	35 HT
12404142	42 HT
12404154	54 HT
12404167	67
12404176	76,1 HT
12404189	88,9 HT
124041108	108,0 HT

24002 G 90° bend, female end and female thread	
Art.-Nr.	Dimensions
124002G2234	22 x 3/4 HT
124002G2812	28 x 1/2 HT
124002G281	28 x 1 HT
124002G3512	35 x 1/2 HT
124002G35114	35 x 1 1/4 HT
124002G42112	42 x 1 1/2 HT
124002G542	54 x 2 HT

24003 90° bend, male plain ends	
Art.-Nr.	Dimensions
12400315	15
12400318	18
12400322	22
12400328	28
12400335	35
12400342	42
12400354	54



HT SANHA®-Therm Industry system is available with unique article numbers

24085Crossover,
female/female end

Art.-Nr.	Dimensions
12408515	15
12408518	18
12408522	22
12408528	28

24086Crossover,
female end/male plain end

Art.-Nr.	Dimensions
12408612	12
12408615	15
12408618	18
12408622	22
12408628	28

24087Crossover,
male/male plain end

Art.-Nr.	Dimensions
12408718	18

24090 GElbow 90°, female end
and female thread

Art.-Nr.	Dimensions
124090G1238	12 x 3/8
124090G1512	15 x 1/2 HT
124090G1812	18 x 1/2 HT
124090G2212	22 x 1/2 HT
124090G2234	22 x 3/4 HT
124090G2812	28 x 1/2 HT
124090G281	28 x 1 HT
124090G35114	35 x 1 1/4 HT
124090G42112	42 x 1 1/2 HT
124090G542	54 x 2 HT

24092 GElbow 90°, female end
and male thread

Art.-Nr.	Dimension
124092G1238	12 x 3/8 HT
124092G1538	15 x 3/8 HT
124092G1512	15 x 1/2 HT
124092G1812	18 x 1/2 HT
124092G2234	22 x 3/4 HT
124092G281	28 x 1 HT
124092G35114	35 x 1 1/4 HT
124092G42112	42 x 1 1/2 HT
124092G542	54 x 2 HT

24130Tee,
female ends

Art.-Nr.	Dimensions	Art.-Nr.	Dimensions
12413012	12	124130282818	28 x 28 x 18
12413015	15 HT	124130282822	28 x 28 x 22
12413018	18 HT	124130283528	28 x 35 x 28
12413022	22 HT	124130351535	35 x 15 x 35 HT
12413028	28 HT	124130351835	35 x 18 x 35 HT
12413035	35 HT	124130352222	35 x 22 x 22
12413042	42 HT	124130352228	35 x 22 x 28
12413054	54 HT	124130352235	35 x 22 x 35 HT
12413067	67	124130352828	35 x 28 x 28
12413076	76,1 HT	124130352835	35 x 28 x 35 HT
12413089	88,9 HT	124130353522	35 x 35 x 22
124130108	108,0 HT	124130353528	35 x 35 x 28
124130121512	12 x 15 x 12	124130421542	42 x 15 x 42 HT
124130151215	15 x 12 x 15	124130422242	42 x 22 x 42 HT
124130151815	15 x 18 x 15	124130422842	42 x 28 x 42 HT
124130152215	15 x 22 x 15	124130423535	42 x 35 x 35 HT
124130181515	18 x 15 x 15	124130423542	42 x 35 x 42 HT
124130181518	18 x 15 x 18 HT	124130542254	54 x 22 x 54 HT
124130181815	18 x 18 x 15	124130542854	54 x 28 x 54 HT
124130182218	18 x 22 x 18	124130543554	54 x 35 x 54 HT
124130221222	22 x 12 x 22	124130544254	54 x 42 x 54 HT
124130221515	22 x 15 x 15	124130672867	67 x 28 x 67
124130221518	22 x 15 x 18	124130673567	67 x 35 x 67
124130221522	22 x 15 x 22 HT	124130674267	67 x 42 x 67
124130221818	22 x 18 x 18	124130675467	67 x 54 x 67
124130221822	22 x 18 x 22 HT	124130762276	76,1 x 22 x 76,1 HT
124130222215	22 x 22 x 15	124130762876	76,1 x 28 x 76,1 HT
124130222218	22 x 22 x 18	124130763576	76,1 x 35 x 76,1 HT
124130222822	22 x 28 x 22	124130764276	76,1 x 42 x 76,1 HT
124130281522	28 x 15 x 22	124130765476	76,1 x 54 x 76,1 HT
124130281528	28 x 15 x 28 HT	124130766776	76,1 x 67 x 76,1 HT
124130281822	28 x 18 x 22	124130895489	88,9 x 54 x 88,9 HT
124130281828	28 x 18 x 28 HT	124130897689	88,9 x 76,1 x 88,9 HT
124130282222	28 x 22 x 22	12413010854108	108 x 54 x 108 HT
124130282228	28 x 22 x 28 HT	12413010867108	108 x 67 x 108
124130282815	28 x 28 x 15	12413010876108	108 x 76,1 x 108 HT
		12413010889108	108 x 88,9 x 108 HT

24130 GTee, female/female end
and female thread

Art.-Nr.	Dimensions
124130G1212	12 x 1/2 x 12 HT
124130G1512	15 x 1/2 x 15 HT
124130G1812	18 x 1/2 x 18 HT
124130G2212	22 x 1/2 x 22 HT
124130G2234	22 x 3/4 x 22 HT
124130G2812	28 x 1/2 x 28 HT
124130G2834	28 x 3/4 x 28 HT
124130G281	28 x 1 x 28 HT
124130G3512	35 x 1/2 x 35 HT
124130G3534	35 x 3/4 x 35 HT
124130G351	35 x 1 x 35 HT
124130G4212	42 x 1/2 x 42 HT
124130G4234	42 x 3/4 x 42 HT
124130G5412	54 x 1/2 x 54 HT
124130G7634	76,1 x 3/4 x 76,1 HT
124130G8934	88,9 x 3/4 x 88,9 HT
124130G10834	108,0 x 3/4 x 108,0 HT

24130 LTee, long,
female ends

Art.-Nr.	Dimensions
124130L15	15

24180SANHA-Therm Cross, for
mixture-free crossing
of pipes at the same level,
chromium-plated

Art.-Nr.	Dimensions
12418015	15
1241801512	15 x 12
1241801812	18 x 12
1241802212	22 x 12
1241802215	22 x 15

24181.1Cross distributor,
two planes

Art.-Nr.	Dimensions
12418115.1	15
1241811815.1	18 x 15
1241812215.1	22 x 15
1241812218.1	22 x 18
1241812815.1	28 x 15
1241812818.1	28 x 18

All fittings at a glance

24270

Coupling, female/female end



Art.-Nr.	Dimensions	
12427012	12	
12427015	15	HT
12427018	18	HT
12427022	22	HT
12427028	28	HT
12427035	35	HT
12427042	42	HT
12427054	54	HT
12427067	67	
12427076	76,1	HT
12427089	88,9	HT
124270108	108,0	HT

24270 S

Slip coupling, female/female end



Art.-Nr.	Dimensions	
124270S12	12	
124270S15	15	HT
124270S18	18	HT
124270S22	22	HT
124270S28	28	HT
124270S35	35	HT
124270S42	42	HT
124270S54	54	HT
124270S67	67	
124270S76	76,1	HT
124270S89	88,9	HT
124270S108	108,0	HT

24240

Reducing coupling, female/female end



Art.-Nr.	Dimensions	
1242401512	15 x 12	HT
1242401812	18 x 12	HT
1242401815	18 x 15	HT
1242402215	22 x 15	HT
1242402218	22 x 18	HT
1242402815	28 x 15	HT
1242402818	28 x 18	HT
1242402822	28 x 22	HT
1242403522	35 x 22	HT
1242403528	35 x 28	HT
1242404222	42 x 22	HT
1242404228	42 x 28	HT
1242404235	42 x 35	HT
1242405428	54 x 28	HT
1242405435	54 x 35	HT
1242405442	54 x 42	HT

24243 G

Transition nipple, with female end and male thread



Art.-Nr.	Dimensions	
124243G1238	12 x 3/8	HT
124243G1538	15 x 3/8	HT
124243G1512	15 x 1/2	HT
124243G1534	15 x 3/4	HT
124243G1812	18 x 1/2	HT
124243G1834	18 x 3/4	HT
124243G2212	22 x 1/2	HT
124243G2234	22 x 3/4	HT
124243G221	22 x 1	HT
124243G2834	28 x 3/4	HT
124243G281	28 x 1	HT
124243G28114	28 x 1 1/4	HT
124243G351	35 x 1	HT
124243G35114	35 x 1 1/4	HT
124243G42114	42 x 1 1/4	HT
124243G42112	42 x 1 1/2	HT
124243G542	54 x 2	HT
124243G67212	67 x 2 1/2	HT
124243G76212	76,1 x 2 1/2	HT
124243G763	76,1 x 3	HT
124243G893	88,9 x 3	HT
124243G1084	108,0 x 4	HT

24243

Fitting reducer, with female and male plain end



Art.-Nr.	Dimensions	
1242431512	15a x 12	
1242431812	18a x 12	
1242431815	18a x 15	HT
1242432215	22a x 15	HT
1242432218	22a x 18	HT
1242432815	28a x 15	
1242432818	28a x 18	HT
1242432822	28a x 22	HT
1242433522	35a x 22	HT
1242433528	35a x 28	HT
1242434222	42a x 22	
1242434228	42a x 28	HT
1242434235	42a x 35	HT
1242435435	54a x 35	HT
1242435442	54a x 42	HT
1242436728	67a x 28	
1242436735	67a x 35	
1242436742	67a x 42	
1242436754	67a x 54	
1242437635	76,1a x 35	HT
1242437642	76,1a x 42	HT
1242437654	76,1a x 54	HT
1242437667	76,1a x 67	
1242438954	88,9a x 54	HT
1242438976	88,9a x 76,1	HT
12424310842	108,0a x 42	HT
12424310854	108,0a x 54	HT
12424310867	108,0a x 67	
12424310876	108,0a x 76,1	HT
12424310889	108,0a x 88,9	HT

24270 G

Transition coupling, with female end and female thread



Art.-Nr.	Dimensions	
124270G1212	12 x 1/2	HT
124270G1512	15 x 1/2	HT
124270G1812	18 x 1/2	HT
124270G1834	18 x 3/4	HT
124270G2212	22 x 1/2	HT
124270G2234	22 x 3/4	
124270G221	22 x 1	HT
124270G2812	28 x 1/2	HT
124270G2834	28 x 3/4	HT
124270G281	28 x 1	HT
124270G28114	28 x 1 1/4	HT
124270G351	35 x 1	HT
124270G35114	35 x 1 1/4	HT
124270G35112	35 x 1 1/2	HT
124270G42114	42 x 1 1/4	HT
124270G42112	42 x 1 1/2	HT
124270G54112	54 x 1 1/2	HT
124270G542	54 x 2	HT
124270G67212	67 x 2 1/2	HT
124270G76212	76 x 2 1/2	HT
124270G893	88,9 x 3	HT

24301

Cap, female end



Art.-Nr.	Dimensions	
12430112	12	HT
12430115	15	HT
12430118	18	HT
12430122	22	HT
12430128	28	HT
12430135	35	HT
12430142	42	HT
12430154	54	HT
12430167	67	
12430176	76,1	
12430189	88,9	
124301108	108,0	

24330

Union, flat sealing, female/female end



Art.-Nr.	Dimensions	
12433015	15	HT
12433018	18	HT
12433022	22	HT
12433028	28	HT
12433035	35	HT
12433042	42	HT
12433054	54	HT

HT SANHA®-Therm Industry system is available with unique article numbers

24246 G

Transition element (coupling/nipple), with male plain end and female thread



Art.-Nr.	Dimensions
124246G1212	12a x 1/2
124246G1512	15a x 1/2
124246G1812	18a x 1/2
124246G1834	18a x 3/4
124246G2212	22a x 1/2
124246G2234	22a x 3/4

24250

Transition nipple, with male plain and groove for tube coupling



Art.-Nr.	Dimensions
12425028337	28 x 33,7 HT
12425035424	35 x 42,4 HT
12425042483	42 x 48,3 HT
12425054603	54 x 60,3 HT
124250761761	76,1 x 76,1 HT
124250889889	88,9 x 88,9 HT
124250108114	108 x 114 HT

24583

Cross tee



Art.-Nr.	Dimensions (mm)
1245831512	15 x 12 x 280
1245831515	15 x 15 x 280
1245831812	18 x 12 x 280
1245831815	18 x 15 x 280
1245832212	22 x 12 x 280
1245832215	22 x 15 x 280
1245832815	28 x 15 x 280

24584

Twin pipe crossover tee for pipe end



Art.-Nr.	Dimensions (mm)
1245841212	12 x 12 x 500
1245841512	15 x 12 x 500
1245841515	15 x 15 x 500
1245841812	18 x 12 x 500
1245841815	18 x 15 x 500
1245842212	22 x 12 x 500
1245842215	22 x 15 x 500

24280 G

Transition nipple, with male plain end and male thread



Art.-Nr.	Dimensions
124280G1212	12a x 1/2
124280G1512	15a x 1/2
124280G1812	18a x 1/2
124280G1834	18a x 3/4
124280G2212	22a x 1/2
124280G2234	22a x 3/4

24333 G

Union, flat sealing, with female end and male thread



Art.-Nr.	Dimensions
124333G1512	15 x 1/2 HT
124333G1812	18 x 1/2 HT
124333G2234	22 x 3/4 HT
124333G221	22 x 1 HT
124333G281	28 x 1 HT
124333G35114	35 x 1 1/4 HT
124333G42112	42 x 1 1/2 HT
124333G542	54 x 2 HT

24580

SANHA-Therm Cross tee, with 50 mm high insulation box, for mixture-free crossing of pipes keeping minimum installation heights



Art.-Nr.	Dimensions
124580151215	15 x 12 x 15
12458015	15
124580181218	18 x 12 x 18
124580181518	18 x 15 x 18
124580221522	22 x 15 x 22
1241812818.1	28 x 18

24359 G

Union adapter, flat sealing, female end



Art.-Nr.	Dimensions
124359G1534	15 x 3/4 HT
124359G1834	18 x 3/4 HT
124359G181	18 x 1 HT
124359G2234	22 x 3/4 HT
124359G221	22 x 1 HT
124359G22114	22 x 1 1/4 HT
124359G28114	28 x 1 1/4 HT
124359G28112	28 x 1 1/2 HT
124359G35112	35 x 1 1/2 HT
124359G352	35 x 2 HT
124359G42134	42 x 1 3/4 HT
124359G422	42 x 2 HT
124359G54238	54 x 2 3/8 HT
124359G763	76,1 x 3 HT
124359G89312	88,9 x 3 1/2 HT

24585

Cross tee for radiators



Art.-Nr.	Dimensions (mm)
1245851212	12 x 12 x 270
1245851512	15 x 12 x 270

24582

Twin pipe crossover tee

Art.-Nr.	Dimensions (mm)
1245821212	12 x 12 x 500
1245821512	15 x 12 x 500
1245821515	15 x 15 x 500
1245821812	18 x 12 x 500
1245821815	18 x 15 x 500
1245822212	22 x 12 x 500
1245822215	22 x 15 x 500
1245822815	28 x 15 x 500

24580.1

SANHA-Therm Cross tee, for mixture-free crossing of pipes keeping minimum installation heights (without insulation box)



Art.-Nr.	Dimensions
1245801151215	15 x 12 x 15
124580115	15
1245801181218	18 x 12 x 18
1245801181518	18 x 15 x 18
1245801221522	22 x 15 x 22
1245801221822	22 x 18 x 22

SANHA recommendation:

When installed in a screed or in humid ambient conditions, the carbon steel installation system may only be used if it can be assured, through practical measures, that there will be no long term exposure to humidity or moisture. If this cannot be guaranteed we recommend the use of our stainless steel system pipes, NiroTherm® in combination with our proven stainless steel press fittings from the NiroSan® series as economic alternative to extensive protective insulation according to AGI worksheet Q 151.

More information in our complete catalogue or at www.sanha.com

With safety on your side

SANHA offers genuine advantages

As a family enterprise for over 50 years we have been observing a simple principle: every pipe and every fitting must give the customer added value in terms of safety and practical use at a fair price. This is our mission and, at the same time, the best recommendation from our satisfied customers.

As a specialist for pipeline systems we offer a unique breadth and depth of products for all of the usual connection techniques and applications from a one stop shop. Tried and tested installation techniques are as much a part of our program as practice-oriented innovations.

And that's why: SANHA. Always a perfect fit.

Your advantages:

- 1 Always fits**
At SANHA, the focus is on the installer, whose job we want to make as easy as possible. For this reason, all SANHA products offer extensive advantages that enable easy and convenient workmanship.
- 2 Large product range**
SANHA offers a wide material, product and dimension range, multiple connection methods, with significant expertise and experience – all from a one stop shop. SANHA, the pipeline specialist.
- 3 Guaranteed safety**
SANHA has all the important approvals, certifications and warranties, backed up by WRAS and BSI, ensuring you are always on the safe side.
- 4 Nationwide technical service**
SANHA is pleased to offer a wide range of services from installation training, technical seminars, design advice, specifications and on site support as and when required.



SANHA®-Therm

SANHA®
Passt immer.

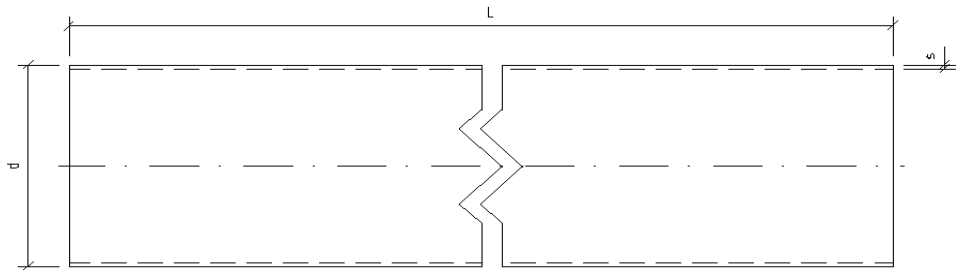


Z-Maße / Installation dimensions

www.sanha.com

Systemrohr, außen galvanisch verzinkt

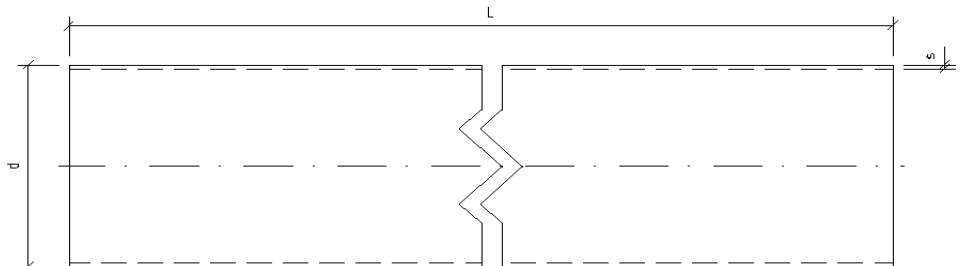
System pipe, outside galvanized



SANHA-Therm	d [mm]	L [mm]	s [mm]
12400012 (12450012)	12	6000 (3000)	1,2
12400015 (12450015)	15	6000 (3000)	1,2
12400018 (12450018)	18	6000 (3000)	1,2
12400022 (12450022)	22	6000 (3000)	1,5
12400028 (12450028)	28	6000 (3000)	1,5
12400035 (12450035)	35	6000 (3000)	1,5
12400042 (12450042)	42	6000 (3000)	1,5
12400054 (12450054)	54	6000 (3000)	1,5
12400067 (12450067)	67	6000 (3000)	1,5
12400076 (12450076)	76	6000 (3000)	2,0
12400089 (12450089)	89	6000 (3000)	2,0
124000108 (124500108)	108	6000 (3000)	2,0

Systemrohr, innen und außen verzinkt

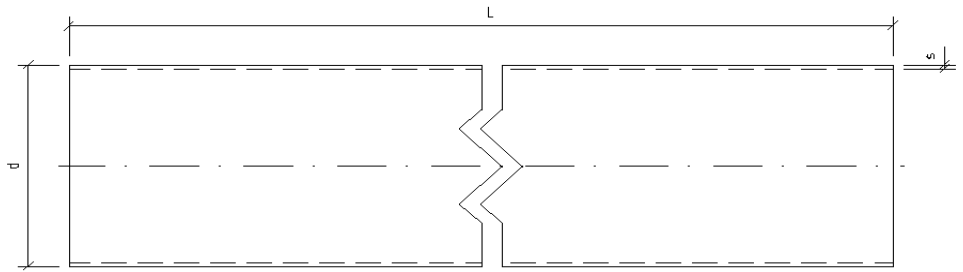
System pipe, inside and outside zinkt plated



SANHA-Therm DZ	d [mm]	L [mm]	s [mm]
124000DZ18 (124500DZ18)	18	6000 (3000)	1,2
124000DZ22 (124500DZ22)	22	6000 (3000)	1,5
124000DZ28 (124500DZ28)	28	6000 (3000)	1,5
124000DZ35 (124500DZ35)	35	6000 (3000)	1,5
124000DZ42 (124500DZ42)	42	6000 (3000)	1,5
124000DZ54 (124500DZ54)	54	6000 (3000)	1,5
124000DZ76 (124500DZ76)	76	6000 (3000)	2,0
124000DZ89 (124500DZ89)	89	6000 (3000)	2,0
124000DZ108 (124500DZ108)	108	6000 (3000)	2,0

**Systemrohr, außen
Contiflo-verzinkt**

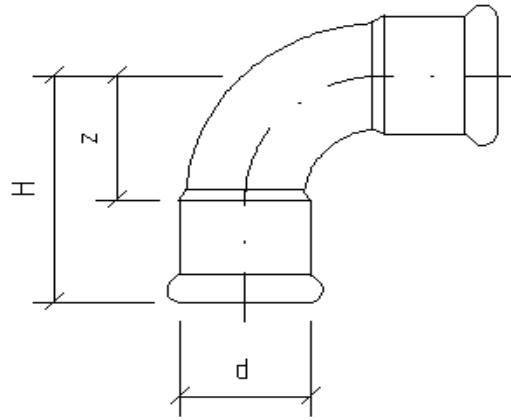
**System pipe, outside
Contiflo-galvanized**



SANHA-Therm Contiflo	d [mm]	L [mm]	s [mm]
12400012# (12450012#)	12	6000 (3000)	1,2
12400015# (12450015#)	15	6000 (3000)	1,2
12400018# (12450018#)	18	6000 (3000)	1,2
12400022# (12450022#)	22	6000 (3000)	1,5
12400028# (12450028#)	28	6000 (3000)	1,5
12400035# (12450035#)	35	6000 (3000)	1,5
12400042# (12450042#)	42	6000 (3000)	1,5
12400054# (12450054#)	54	6000 (3000)	1,5
12400076# (12450076#)	76	6000 (3000)	2,0

Bogen 90°, beidseitig mit
Universalpressanschluss

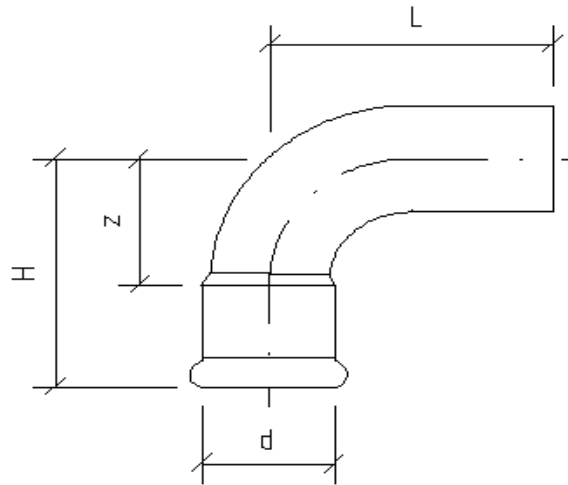
Bend 90°, female ends



SANHA-Therm	SANHA-Therm Industry	d [mm]	H [mm]	z [mm]
124002A12		12	31	15
124002A15	128002A15	15	36	18
124002A18	128002A18	18	41	21
124002A22	128002A22	22	50	25
124002A28	128002A28	28	60	33
124002A35	128002A35	35	82	50
124002A42	128002A42	42	102	64
124002A54	128002A54	54	122	79
124002A67		66,7	128	80
124002A76	128002A76	76,1	142	92
124002A89	128002A89	88,9	165	108
124002A108	128002A108	108	201	130

Bogen 90°, mit Universalpress-anschluss und Einsteckende

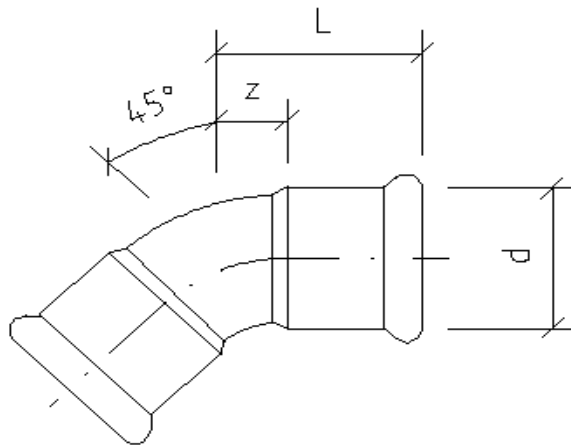
Bend 90°, female and male plain ends



SANHA-Therm	SANHA-Therm Industry	d [mm]	H [mm]	L [mm]	z [mm]
124001A12		12	31	39	15
124001A15	128001A15	15	36	43	18
124001A18	128001A18	18	41	52	21
124001A22	128001A22	22	50	57	25
124001A28	128001A28	28	60	67	33
124001A35	128001A35	35	82	89	50
124001A42	128001A42	42	102	112	64
124001A54	128001A54	54	122	132	79
124001A67		66,7	128	143	80
124001A76	128001A76	76,1	142	160	92
124001A89	128001A89	88,9	165	186	108
124001A108	128001A108	108	201	224	130

Bogen 45°, beidseitig mit
Universalpressanschluss

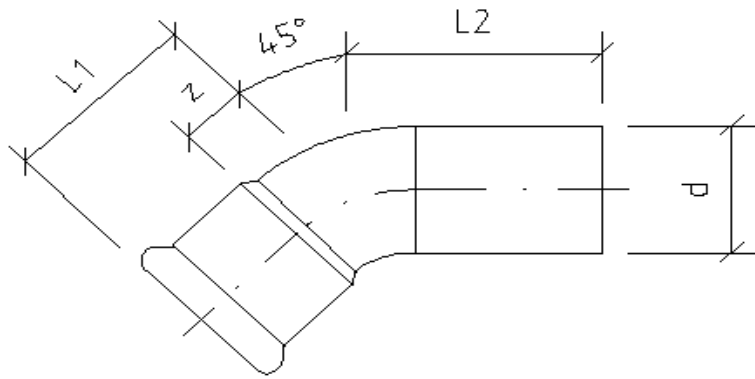
Bend 45°, female ends



SANHA-Therm	SANHA-Therm Industry	d [mm]	L [mm]	z [mm]
12404112		12	22	6
12404115	12804115	15	25	7
12404118	12804118	18	29	9
12404122	12804122	22	35	11
12404128	12804128	28	41	14
12404135	12804135	35	57	24
12404142	12804142	42	67	29
12404154	12804154	54	78	35
12404167		66,7	80	32
12404176	12804176	76,1	88	38
12404189	12804189	88,9	101	43
124041108	128041108	108	124	53

Bogen 45°, mit Universalpressanschluss und Einsteckende

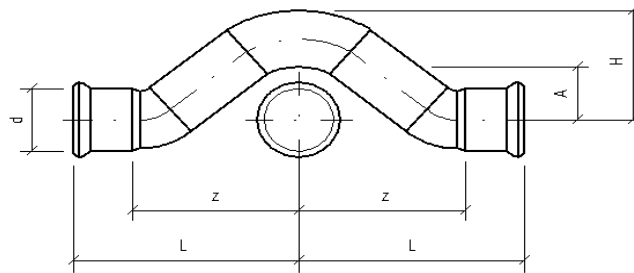
Bend 45°, female and male plain ends



SANHA-Therm	SANHA-Therm Industry	d [mm]	L1 [mm]	L2 [mm]	z [mm]
12404012		12	22	33	6
12404015	12804015	15	25	32	7
12404018	12804018	18	29	36	9
12404022	12804022	22	35	46	11
12404028	12804028	28	41	51	14
12404035	12804035	35	57	65	24
12404042	12804042	42	67	76	29
12404054	12804054	54	78	87	35
12404067		66,7	80	93	32
12404076	12804076	76,1	88	105	38
12404089	12804089	88,9	101	126	43
124040108	128040108	108	124	150	53

Überspringbogen, beidseitig mit Universalpressanschluss

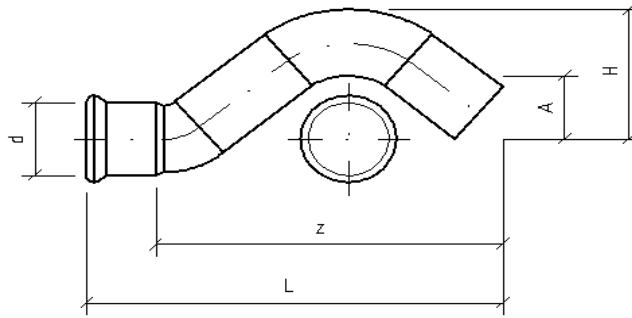
Crossover, female ends



SANHA-Therm	SANHA-Therm Industry	d [mm]	A [mm]	H [mm]	L [mm]	z [mm]
12408515		15	18	34	62	44
12408518		18	20	38	71	51
12408522		22	25	47	86	63
12408528		28	28	56	102	75

Überspringbogen, mit Universalpressanschluss und Einsteckende

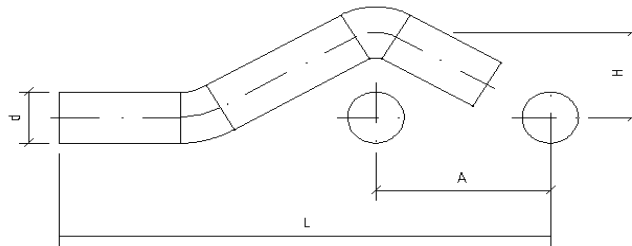
Crossover, female and male plain ends



SANHA-Therm	SANHA-Therm Industry	d [mm]	A [mm]	H [mm]	L [mm]	z [mm]
12408612		12	18	30	89	73
12408615		15	18	34	99	81
12408618		18	20	38	114	94
12408622		22	25	47	139	115
12408628		28	28	56	164	137

Sprungbogen, beidseitig mit Einsteckende

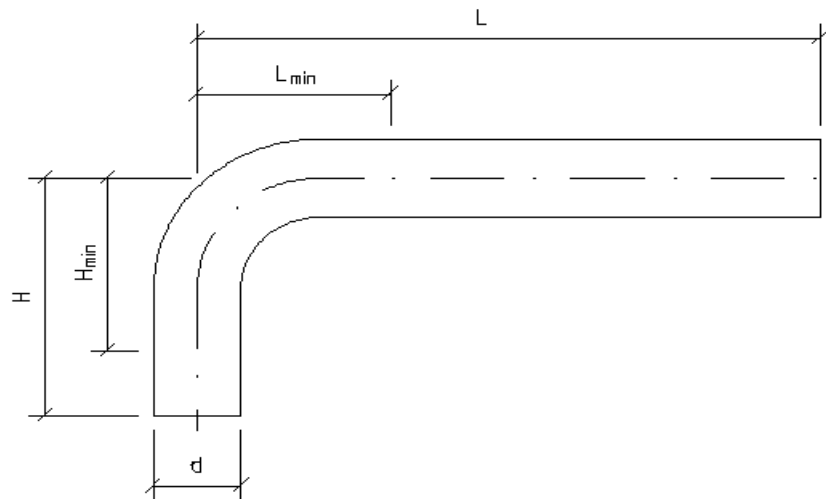
Crossover, male plain ends



SANHA-Therm	SANHA-Therm Industry	d [mm]	A [mm]	H [mm]	L [mm]
12408722		22	78	40	216

Passbogen 90°, beidseitig mit
Einsteckende

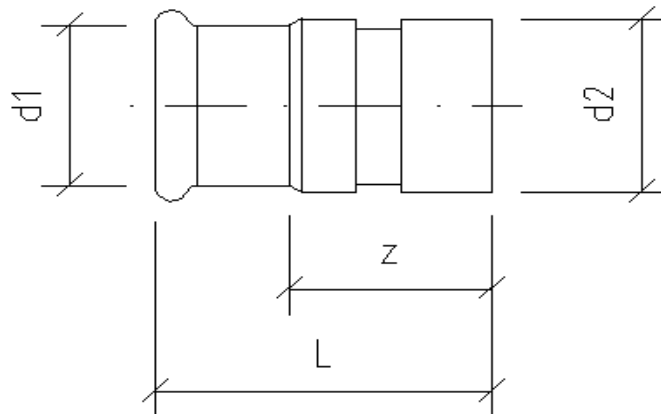
Bend 90°, male plain ends



SANHA-Therm	SANHA-Therm Industry	d [mm]	H [mm]	Hmin [mm]	L [mm]	Lmin [mm]
12400315		15	62	55	125	55
12400318		18	62	57	125	57
12400322		22	73	65	150	65
12400328		28	85	80	200	80
12400335		35	92	92	225	92
12400342		42	113	113	250	113
12400354		54	131	131	300	131

Übergangsstück, mit Univer-
salpressanschluss und Nut

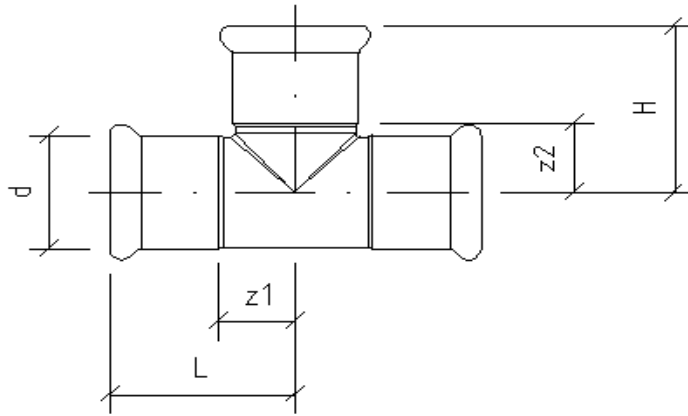
Adaptor, female end and groove
for tube coupling



SANHA-Therm	SANHA-Therm Industry	d1 [mm]	d2 [mm]	L [mm]	z [mm]
12425028337	12825028337	28	33,7	59	32
12425035424	12825035424	35	42,4	61	29
12425042483	12825042483	42	48,3	66	28
12425054603	12825054603	54	60,3	72	29
124250761761	128250761761	76,1	76,1	93	43
124250889889	128250889889	88,9	88,9	100	43
124250108114	128250108114	108	114	116	45

**T-Stück, allseitig mit
Universalpressanschluss**

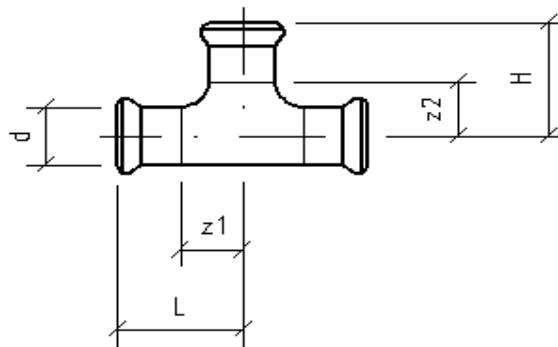
Tee, female ends



SANHA-Therm	SANHA-Therm Industry	d [mm]	H [mm]	L [mm]	z1 [mm]	z2 [mm]
12413012		12	30	30	14	14
12413015	12813015	15	34	34	16	16
12413018	12813018	18	36	36	16	16
12413022	12813022	22	40	40	16	16
12413028	12813028	28	46	46	19	19
12413035	12813035	35	59	59	27	27
12413042	12813042	42	74	74	36	36
12413054	12813054	54	87	87	44	44
12413067		66,7	97	96	48	49
12413076	12813076	76,1	104	107	56	54
12413089	12813089	88,9	116	119	62	59
124130108	128130108	108	140	142	70	68

**T-Stück, lang, allseitig mit
Universalpressanschluss**

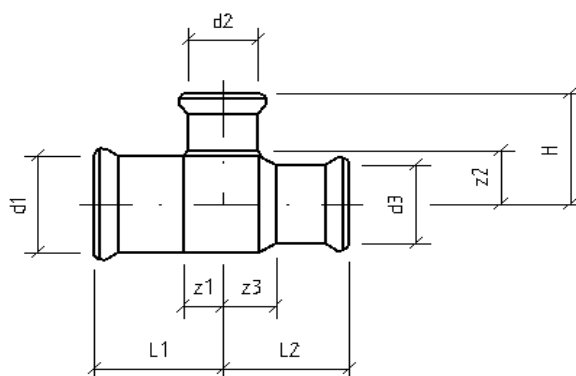
Tee, ling, female ends



SANHA-Therm	SANHA-Therm Industry	d [mm]	H [mm]	L [mm]	z1 [mm]	z2 [mm]
124130L15		15	34	34	16	16

T-Stück, reduziert, allseitig mit
Universalpressanschluss

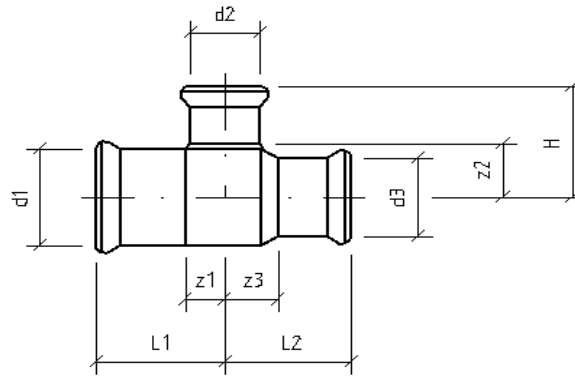
Tee, reduce, female ends



SANHA-Therm	SANHA-Therm Industry	d1 [mm]	d2 [mm]	d3 [mm]	H [mm]	L1 [mm]	L2 [mm]	z1 [mm]	z2 [mm]	z3 [mm]
124130121512		12	15	12	27	28	28	12	9	12
124130151215		15	12	15	31	34	34	16	15	16
124130151815		15	18	15	31	31	31	13	11	13
124130152215		15	22	15	37	35	35	17	13	17
124130181515		18	15	15	29	30	30	10	11	12
124130181518	128130181518	18	15	18	36	36	36	16	17	16
124130181815		18	18	15	31	31	31	11	11	13
124130182218		18	22	18	37	36	36	16	13	16
124130221222		22	12	22	29	32	32	8	13	8
124130221515		22	15	15	31	34	32	10	13	14
124130221518		22	15	18	31	34	32	10	13	12
124130221522	128130221522	22	15	22	38	40	40	16	19	16
124130221818		22	18	18	33	35	34	11	13	14
124130221822	128130221822	22	18	22	38	40	40	16	18	16
124130222215		22	22	15	37	37	35	13	13	17
124130222218		22	22	18	37	37	36	13	13	16
124130222822		22	28	22	43	44	44	20	17	20
124130281522		28	15	22	34	37	37	10	16	13
124130281528	128130281528	28	15	28	40	46	46	19	22	19
124130281822		28	18	22	36	38	39	12	16	15
124130281828	128130281828	28	18	28	41	46	46	19	21	19
124130282222		28	22	22	40	40	41	14	16	17
124130282228	128130282228	28	22	28	43	46	46	19	19	19
124130282815		28	28	15	43	43	42	17	17	24
124130282818		28	28	18	43	43	42	17	17	22
124130282822		28	28	22	43	43	44	17	17	20
124130283528		28	35	28	53	52	52	25	21	25
124130351535	128130351535	35	15	35	44	59	59	27	25	27
124130351835	128130351835	35	18	35	45	59	59	27	24	27
124130352222		35	22	22	44	46	45	14	20	21
124130352228		35	22	28	44	46	45	14	20	19
124130352235	128130352235	35	22	35	47	59	59	27	22	27
124130352828		35	28	28	47	49	48	17	21	22
124130352835	128130352835	35	28	35	50	59	59	27	23	27
124130353522		35	35	22	53	53	52	21	21	28
124130353528		35	35	28	53	53	52	21	21	25
124130421542	128130421542	42	15	42	53	74	74	36	35	36
124130421842	128130421842	42	18	42	56	74	74	36	36	36
124130422242	128130422242	42	22	42	57	74	74	36	33	36
124130422842	128130422842	42	28	42	62	74	74	36	35	36

T-Stück, reduziert, allseitig mit
Universalpressanschluss

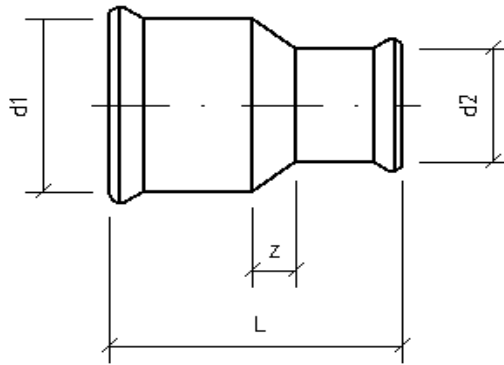
Tee, reduce, female ends



SANHA-Therm	SANHA-Therm Industry	d1 [mm]	d2 [mm]	d3 [mm]	H [mm]	L1 [mm]	L2 [mm]	z1 [mm]	z2 [mm]	z3 [mm]
124130423535		42	35	35	57	59	57	21	25	25
124130423542	128130423542	42	35	42	67	74	74	36	35	36
124130542254	128130542254	54	22	54	64	87	87	44	39	44
124130542854	128130542854	54	28	54	67	87	87	44	40	44
124130543554	128130543554	54	35	54	74	87	87	44	41	44
124130544254	128130544254	54	42	54	81	87	87	44	43	44
124130672867		66,7	28	66,7	74	96	96	48	47	48
124130673567		66,7	35	66,7	81	96	96	48	49	48
124130674267		66,7	42	66,7	88	96	96	48	50	48
124130675467		66,7	54	66,7	94	96	96	48	51	48
124130762276	128130762276	76,1	22	76,1	76	107	107	56	52	56
124130762876	128130762876	76,1	28	76,1	80	107	107	56	53	56
124130763576	128130763576	76,1	35	76,1	86	107	107	56	54	56
124130764276	128130764276	76,1	42	76,1	93	107	107	56	55	56
124130765476	128130765476	76,1	54	76,1	99	107	107	56	56	56
124130766776		76,1	66,7	76,1	102	107	107	56	53	56
124130895489	128130895489	88,9	54	88,9	105	119	119	62	62	62
124130897689	128130897689	88,9	76,1	88,9	111	119	119	62	60	62
12413010854108	12813010854108	108	54	108	115	142	142	70	72	70
12413010867108		108	66,7	108	117	142	142	70	69	70
12413010876108	12813010876108	108	76,1	108	120	142	142	70	69	70
12413010889108	12813010889108	108	88,9	108	124	142	142	70	68	70

Reduziermuffe, beidseitig mit
Universalpressanschluss

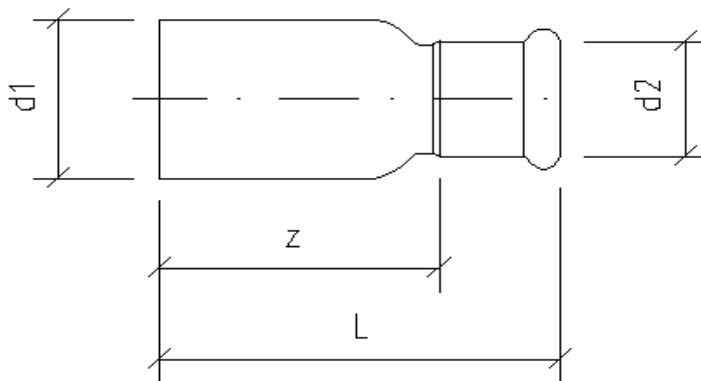
Reducing coupling, female ends



SANHA-Therm	SANHA-Therm Industry	d1 [mm]	d2 [mm]	L [mm]	z [mm]
1242401512		15	12	38	4
1242401812		18	12	41	6
1242401815		18	15	42	4
1242402215		22	15	48	6
1242402218		22	18	48	5
1242402815		28	15	54	10
1242402818		28	18	55	8
1242402822		28	22	56	6
1242403522		35	22	65	10
1242403528		35	28	65	7
1242404222		42	22	75	13
1242404228		42	28	75	10
1242404235		42	35	77	7
1242405428		54	28	86	16
1242405435		54	35	88	13
1242405442		54	42	90	9

Absatznippel, mit Universal-
pressanschluss und Einsteck-
ende

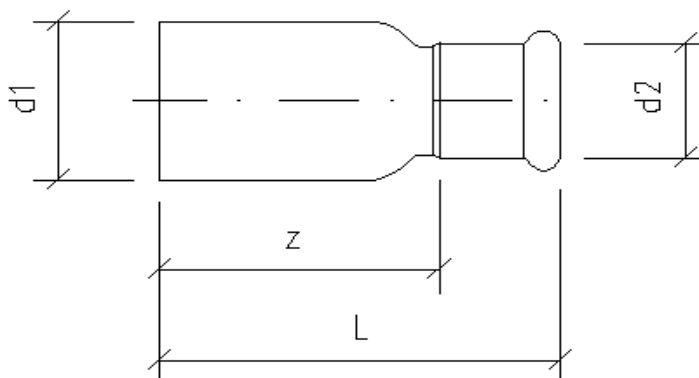
Reducer, female and male end



SANHA-Therm	SANHA-Therm Industry	d1 [mm]	d2 [mm]	L [mm]	z [mm]
1242431512		15	12	43	27
1242431812		18	12	44	28
1242431815	1282431815	18	15	50	32
1242432215	1282432215	22	15	60	42
1242432218	1282432218	22	18	60	40
1242432815		28	15	57	39
1242432818	1282432818	28	18	70	50
1242432822	1282432822	28	22	70	46
1242433522	1282433522	35	22	80	56
1242433528	1282433528	35	28	80	53
1242434222		42	22	77	54
1242434228	1282434228	42	28	88	61

Absatznippel, mit Universal-
pressanschluss und Einsteck-
ende

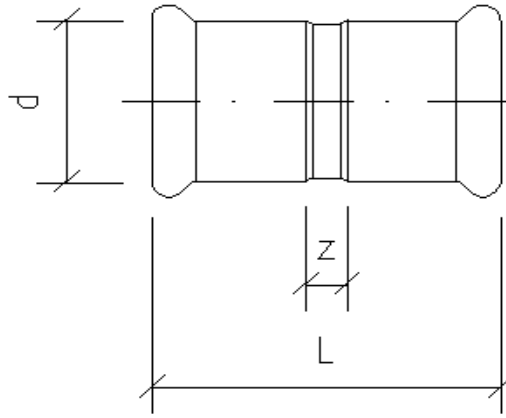
Reducer, female and male end



SANHA-Therm	SANHA-Therm Industry	d1 [mm]	d2 [mm]	L [mm]	z [mm]
1242434235	1282434235	42	35	90	58
1242435435	1282435435	54	35	105	73
1242435442	1282435442	54	42	109	71
1242436728		66,7	28	124	97
1242436735		66,7	35	126	94
1242436742		66,7	42	128	90
1242436754		66,7	54	128	85
1242437635	1282437635	76,1	35	136	103
1242437642	1282437642	76,1	42	137	99
1242437654	1282437654	76,1	54	140	97
1242437667		76,1	66,7	137	88
1242438954	1282438954	88,9	54	156	113
1242438976	1282438976	88,9	76,1	151	100
12424310842	12824310842	108	42	179	141
12424310854	12824310854	108	54	179	136
12424310867		108	66,7	183	134
12424310876	12824310876	108	76,1	180	129
12424310889	12824310889	108	88,9	179	122

Muffe, beidseitig mit
Universalpressanschluss

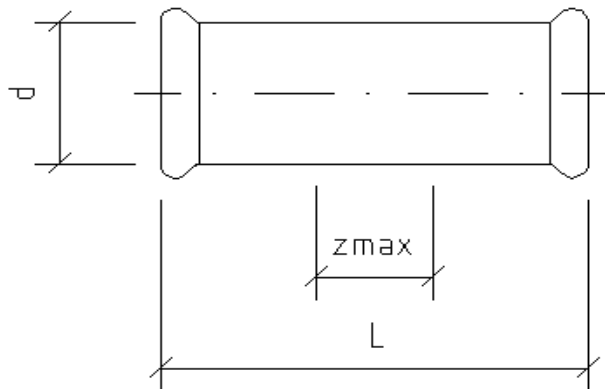
Coupling, female ends



SANHA-Therm	SANHA-Therm Industry	d [mm]	L [mm]	z [mm]
12427012		12	37	5
12427015	12827015	15	44	7
12427018	12827018	18	48	7
12427022	12827022	22	55	7
12427028	12827028	28	61	7
12427035	12827035	35	72	7
12427042	12827042	42	88	12
12427054	12827054	54	99	13
12427067		66,7	124	27
12427076	12827076	76,1	129	28
12427089	12827089	88,9	140	25
124270108	128270108	108	168	25

Schiebemuffe, beidseitig mit
Universalpressanschluss

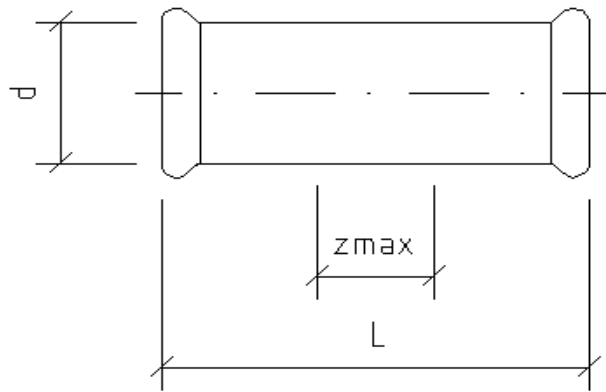
Slip coupling, female ends



SANHA-Therm	SANHA-Therm Industry	d [mm]	L [mm]	zmax [mm]
124270S12		12	48	16
124270S15	128270S15	15	56	20
124270S18	128270S18	18	55	15
124270S22	128270S22	22	68	20
124270S28	128270S28	28	85	31
124270S35	128270S35	35	98	34
124270S42	128270S42	42	114	38
124270S54	128270S54	54	130	44
124270S67		66,7	142	46

Schiebemuffe, beidseitig mit
Universalpressanschluss

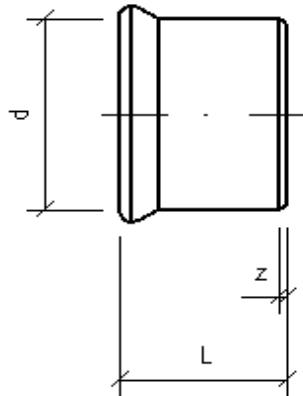
Slip coupling, female ends



SANHA-Therm	SANHA-Therm Industry	d [mm]	L [mm]	zmax [mm]
124270S76	128270S76	76,1	146	46
124270S89	128270S89	88,9	158	46
124270S108	128270S108	108	210	70

Kappe, mit
Universalpressanschluss

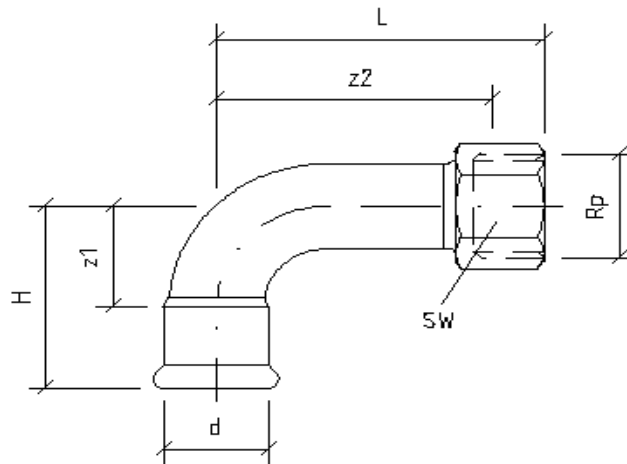
Cap, female end



SANHA-Therm	SANHA-Therm Industry	d [mm]	L [mm]	z [mm]
12430112		12	17	2
12430115	12830115	15	20	2
12430118	12830118	18	22	2
12430122	12830122	22	26	2
12430128	12830128	28	29	2
12430135	12830135	35	36	4
12430142	12830142	42	42	4
12430154	12830154	54	46	4
12430167		66,7	53	5
12430176		76,1	65	15
12430189		88,9	71	13
124301108		108	85	13

Bogen 90°, mit Universalpress-anschluss und Innengewinde

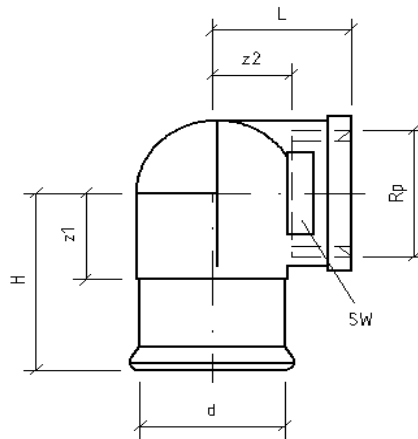
Bend 90°, female end and female thread



SANHA-Therm	SANHA-Therm Industry	d [mm]	Rp	H [mm]	L [mm]	SW [mm]	z1 [mm]	z2 [mm]
124002G2234	128002G2234	22	3/4	50	83	32	25	68
124002G2812	128002G2812	28	1/2	60	89	24	33	76
124002G281	128002G281	28	1	60	97	36	33	80
124002G3512	128002G3512	35	1/2	82	111	24	50	98
124002G35114	128002G35114	35	1 1/4	82	121	46	50	102
124002G42112	128002G42112	42	1 1/2	102	145	55	64	126
124002G542	128002G542	54	2	122	169	65	79	145

Winkel 90°, mit Universalpress-anschluss und Innengewinde

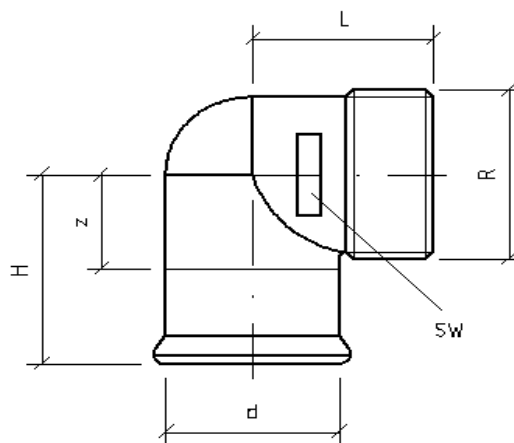
Elbow 90°, female end and female thread



SANHA-Therm	SANHA-Therm Industry	d [mm]	Rp	H [mm]	L [mm]	SW [mm]	z1 [mm]	z2 [mm]
124090G1238		12	3/8	27	18	22	11	8
124090G1512	128090G1512	15	1/2	33	23	26	15	10
124090G1812	128090G1812	18	1/2	33	25	26	13	12
124090G2212	128090G2212	22	1/2	27	37	26	13	14
124090G2234	128090G2234	22	3/4	40	29	32	16	14
124090G2812	128090G2812	28	1/2	46	29	39	19	16
124090G281	128090G281	28	1	46	33	39	19	16
124090G35114	128090G35114	35	1 1/4	57	41	48	25	22
124090G42112	128090G42112	42	1 1/2	65	45	55	27	26
124090G542	128090G542	54	2	78	55	66	36	31

Winkel 90°, mit Universalpress-
anschluss und Außengewinde

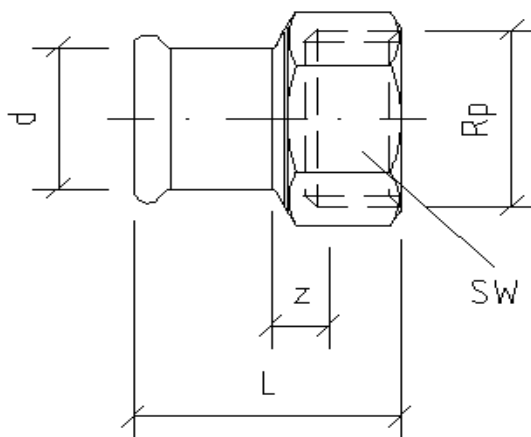
Elbow 90°, female end and male
thread



SANHA-Therm	SANHA-Therm Industry	d [mm]	R	H [mm]	L [mm]	SW [mm]	z [mm]
124092G1238		12	3/8	22	25	17	9
124092G1538	128092G1538	15	3/8	27	25	20	9
124092G1512	128092G1512	15	1/2	27	26	20	9
124092G1812	128092G1812	18	1/2	30	28	20	10
124092G2234	128092G2234	22	3/4	36	33	26	12
124092G281	128092G281	28	1	42	38	32	15
124092G35114	128092G35114	35	1 1/4	52	45	40	20
124092G42112	128092G42112	42	1 1/2	59	48	45	21
124092G542	128092G542	54	2	70	59	58	28

**Übergangsmuffe, mit Universal-
pressanschluss und Innenge-
winde**

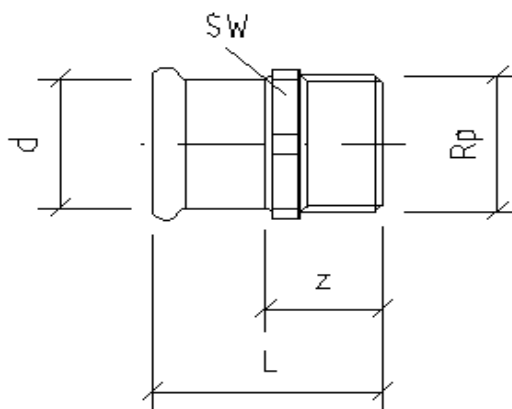
**Transition coupling, female end
and female thread**



SANHA-Therm	SANHA-Therm Industry	d [mm]	Rp	L [mm]	SW [mm]	z [mm]
124270G1212		12	1/2	36	24	11
124270G1512	128270G1512	15	1/2	40	24	9
124270G1812	128270G1812	18	1/2	40	28	8
124270G1834	128270G1834	18	3/4	44	30	9
124270G2212	128270G2212	22	1/2	46	24	9
124270G2234	128270G2234	22	3/4	48	34	8
124270G221	128270G221	22	1	52	41	11
124270G2812	128270G2812	28	1/2	49	27	9
124270G2834	128270G2834	28	3/4	49	32	7
124270G281	128270G281	28	1	53	41	9
124270G28114	128270G28114	28	11/4	55	46	9
124270G351	128270G351	35	1	58	41	9
124270G35114	128270G35114	35	11/4	60	46	9
124270G35112	128270G35112	35	11/2	59	55	8
124270G42114	128270G42114	42	11/4	65	46	9
124270G42112	128270G42112	42	11/2	65	55	9
124270G54112	128270G54112	54	11/2	72	55	11
124270G542	128270G542	54	2	81	65	15
124270G67212		66,7	21/2	83	82	8
124270G76212	128270G76212	76,1	21/2	83	82	6
124270G893	128270G893	88,9	3	91	95	4

Übergangsnippel, mit Universalpressanschluss und Außengewinde

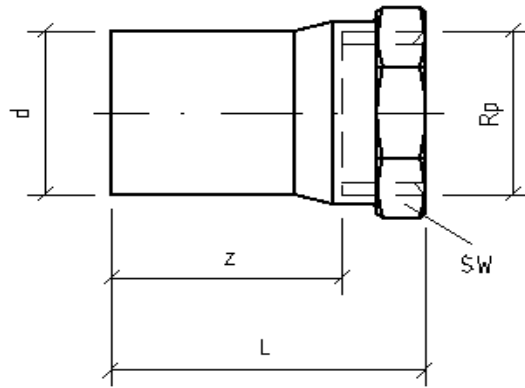
Adaptor, female end and male thread



SANHA-Therm	SANHA-Therm Industry	d [mm]	R	L [mm]	SW [mm]	z [mm]
124243G1238		12	3/8	31	19	15
124243G1538	128243G1538	15	3/8	39	19	21
124243G1512	128243G1512	15	1/2	38	22	20
124243G1534	128243G1534	15	3/4	41	28	23
124243G1812	128243G1812	18	1/2	39	22	19
124243G1834	128243G1834	18	3/4	40	30	20
124243G2212	128243G2212	22	1/2	43	27	19
124243G2234	128243G2234	22	3/4	43	30	19
124243G221	128243G221	22	1	45	36	21
124243G2834	128243G2834	28	3/4	46	32	19
124243G281	128243G281	28	1	50	36	23
124243G28114	128243G28114	28	1 1/4	57	46	30
124243G351	128243G351	35	1	54	41	22
124243G35114	128243G35114	35	1 1/4	59	46	27
124243G42114	128243G42114	42	1 1/4	64	50	27
124243G42112	128243G42112	42	1 1/2	66	55	29
124243G542	128243G542	54	2	78	65	36
124243G67212		66,7	2 1/2	90	80	42
124243G76212	128243G76212	76,1	2 1/2	92	82	42
124243G763	128243G763	76,1	3	91	90	41
124243G893	128243G893	88,9	3	104	95	47
124243G1084	128243G1084	108	4	125	120	54

Übergangsmuffennippel, mit Einsteckende und Innengewinde

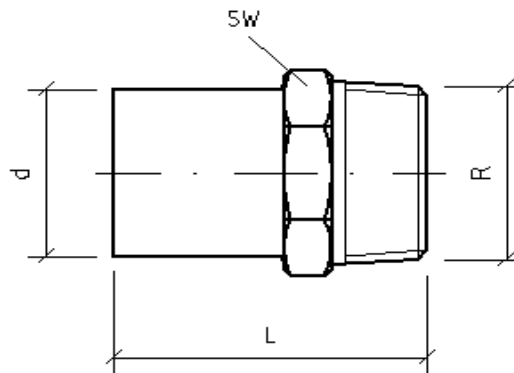
Transition element, male plain end and female thread



SANHA-Therm	SANHA-Therm Industry	d [mm]	Rp	L [mm]	SW [mm]	z [mm]
124246G1212		12	1/2	42	25	29
124246G1512		15	1/2	44	25	31
124246G1812		18	1/2	45	25	32
124246G1834		18	3/4	50	30	35
124246G2212		22	1/2	46	25	33
124246G2234		22	3/4	51	30	36

Doppelnippel, mit Einsteckende und Außengewinde

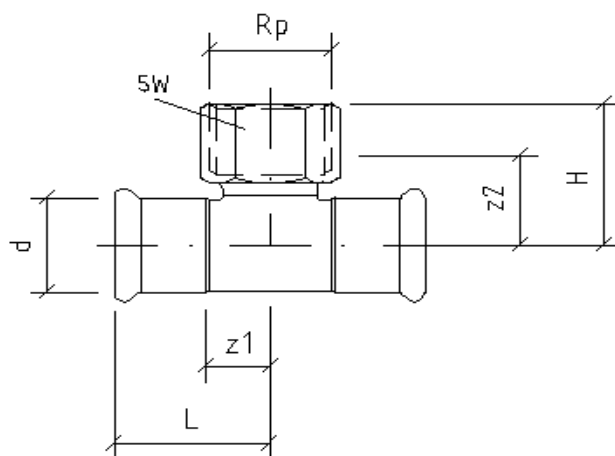
Adaptor, male plain end and male thread



SANHA-Therm	SANHA-Therm Industry	d [mm]	R	L [mm]	SW [mm]
124280G1212		12	1/2	44	16
124280G1512		15	1/2	46	16
124280G1812		18	1/2	47	19
124280G1834		18	3/4	51	19
124280G2212		22	1/2	52	22
124280G2234		22	3/4	52	22

T-Stück, beidseitig mit Universalpressanschluss und Innengewinde

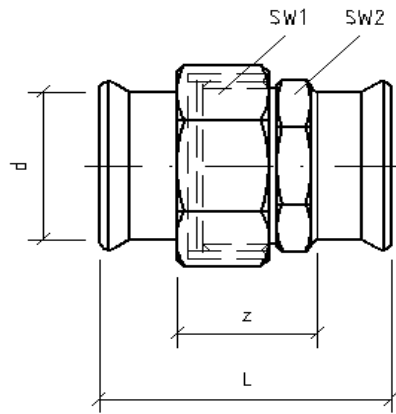
Tee, both sides female ends and female thread



SANHA-Therm	SANHA-Therm Industry	d [mm]	Rp	H [mm]	L [mm]	SW [mm]	z1 [mm]	z2 [mm]
124130G1212		12	1/2	22	29	26	16	9
124130G1512	128130G1512	15	1/2	35	34	24	16	22
124130G1812	128130G1812	18	1/2	37	36	24	16	24
124130G2212	128130G2212	22	1/2	39	40	24	16	26
124130G2234	128130G2234	22	3/4	39	40	32	16	24
124130G2812	128130G2812	28	1/2	42	46	24	19	29
124130G2834	128130G2834	28	3/4	42	46	32	19	27
124130G281	128130G281	28	1	47	46	36	19	30
124130G3512	128130G3512	35	1/2	46	59	24	27	33
124130G3534	128130G3534	35	3/4	46	59	32	27	31
124130G351	128130G351	35	1	50	59	36	27	33
124130G4212	128130G4212	42	1/2	48	74	24	36	35
124130G4234	128130G4234	42	3/4	49	74	32	36	34
124130G5412	128130G5412	54	1/2	55	87	24	44	42
124130G5434	128130G5434	54	3/4	54	87	32	44	39
124130G7634	128130G7634	76,1	3/4	67	107	32	56	52
124130G8934	128130G8934	88,9	3/4	73	119	32	62	58
124130G10834	128130G10834	108	3/4	83	142	32	70	68

Verschraubung, flachdichtend,
beidseitig mit Universalpress-
anschluss

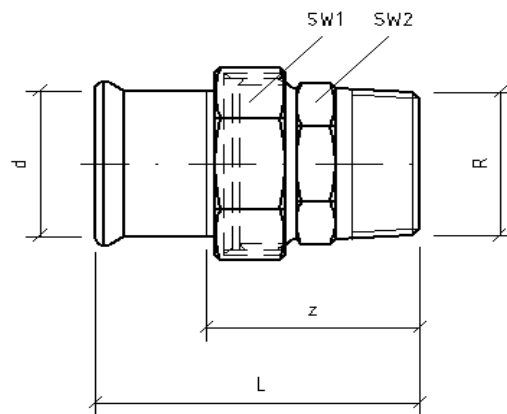
Union, flat seal, female ends



SANHA-Therm	SANHA-Therm Industry	d [mm]	L [mm]	SW1 [mm]	SW2 [mm]	z [mm]
12433015	12833015	15	55	30	19	18
12433018	12833018	18	70	31	22	30
12433022	12833022	22	66	37	26	18
12433028	12833028	28	71	46	34	17
12433035	12833035	35	82	52	40	18
12433042	12833042	42	94	59	46	20
12433054	12833054	54	102	75	60	17

Verschraubung, mit VA-Über-
wurfmutter, flachdichtend, mit
Universalpressanschluss und
Außengewinde

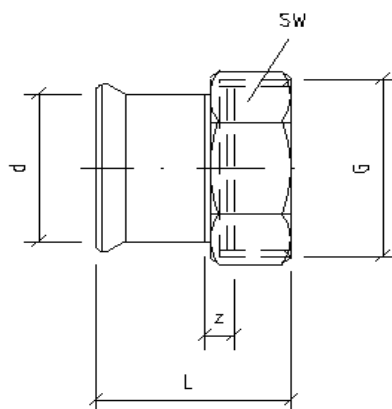
Union, stainless steel-nut, flat
seal, female end and male plain
thread



SANHA-Therm	SANHA-Therm Industry	d [mm]	R	L [mm]	SW1 [mm]	SW2 [mm]	z [mm]
124333G1512	128333G1512	15	1/2	55	30	22	37
124333G1812	128333G1812	18	1/2	69	30	22	49
124333G2234	128333G2234	22	3/4	66	37	27	42
124333G221	128333G221	22	1	70	37	34	46
124333G281	128333G281	28	1	74	46	34	47
124333G35114	128333G35114	35	1 1/4	95	52	46	63
124333G42112	128333G42112	42	1 1/2	102	59	50	65
124333G542	128333G542	54	2	116	75	60	73

Verschraubung, mit Ms-Überwurfmutter, flachdichtend, mit Universalpressanschluss und Befestigungsgewinde

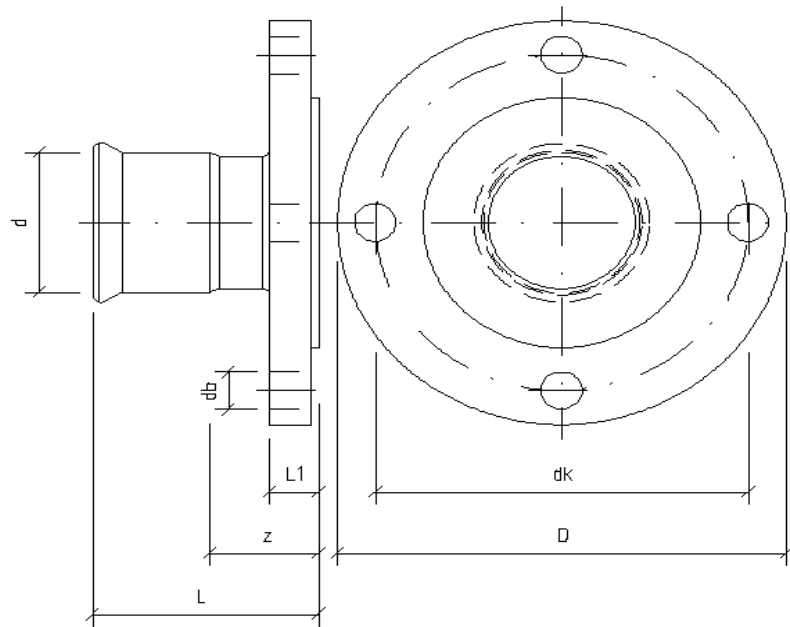
Union, brass-nut, flat seal, female end and female thread



SANHA-Therm	SANHA-Therm Industry	d [mm]	G	L [mm]	SW [mm]	z [mm]
124359G1534	128359G1534	15	3/4	32	30	7
124359G1834	128359G1834	18	3/4	46	30	19
124359G181	128359G181	18	1	36	37	8
124359G2234	128359G2234	22	3/4	51	30	20
124359G221	128359G221	22	1	42	37	8
124359G22114	128359G22114	22	1 1/4	38	46	6
124359G28114	128359G28114	28	1 1/4	46	46	9
124359G28112	128359G28112	28	1 1/2	45	52	9
124359G35112	128359G35112	35	1 1/2	52	52	9
124359G352	128359G352	35	2	54	64	9
124359G42112	128359G42112	42	1 1/2	80	52	31
124359G42134	128359G42134	42	1 3/4	59	59	9
124359G422	128359G422	42	2	61	64	10
124359G542	128359G54238	54	2	94	64	38
124359G54238	128359G54238	54	2 3/8	67	75	10
124359G762	128359G762	76,1	2	109	64	45
124359G763	128359G763	76,1	3	78	94	12
124359G893	128359G89312	88,9	3	123	94	47
124359G89312	128359G89312	88,9	3 1/2	87	110	15

Flansch, PN 6, mit
Universalpressanschluss

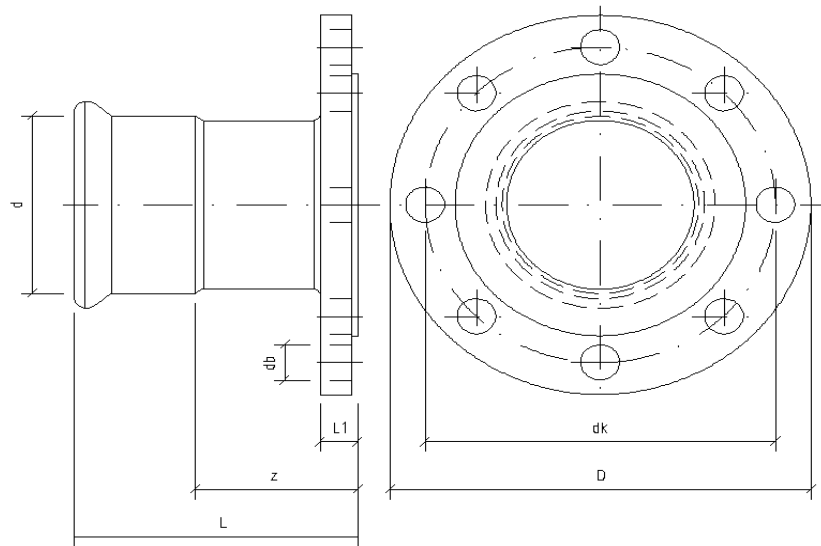
Flange, PN 6, female end



SANHA-Therm	SANHA-Therm Industry	d [mm]	DN	Az	D [mm]	db [mm]	dk [mm]	L [mm]	L1 [mm]	z [mm]
124BMPF35PN6		35	32	4	120	14	90	74	16	41
124BMPF42PN6		42	40	4	130	14	100	76	16	38
124BMPF54PN6		54	50	4	140	14	110	80	16	38
124BMPF67PN6		66,7	65	4	160	14	130	110	16	62
124BMPF76PN6		76,1	65	4	160	14	130	121	16	70
124BMPF89PN6		88,9	80	4	190	18	150	135	18	78
124BMPF108PN6		108	100	4	210	18	170	158	18	86

Flansch, PN 10/16, mit
Universalpressanschluss

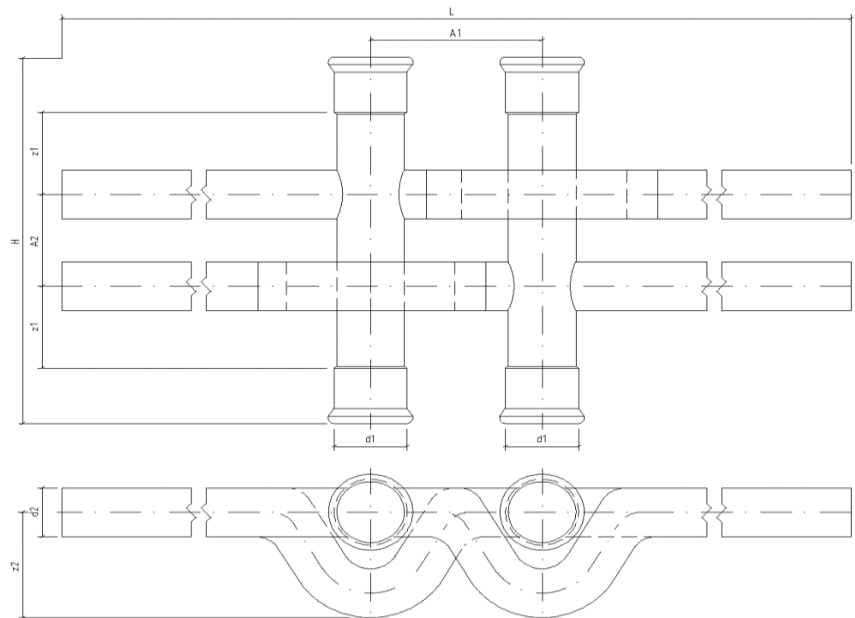
Flange, PN 10/16, female end



SANHA-Therm	SANHA-Therm Industry	d [mm]	DN	Az	D [mm]	db [mm]	dk [mm]	L [mm]	L1 [mm]	z [mm]
124BMPF42	128BMPF42	42	40	4	150	18	110	79	18	41
124BMPF54	128BMPF54	54	50	4	165	18	125	85	20	42
124BMPF67		66,7	65	8	185	18	145	113	20	65
124BMPF76	128BMPF76	76,1	65	8	185	18	145	125	20	75
124BMPF76L4	128BMPF76L4	76,1	65	4	185	18	145	125	20	75
124BMPF76_DN80	128BMPF76_DN80	76,1	80	8	200	18	160	125	20	75
124BMPF89	128BMPF89	88,9	80	8	200	18	160	138	20	80
124BMPF108	128BMPF108	108	100	8	220	18	180	161	22	90

Doppelkreuzungs-T-Stück, mit vier Universalpressanschlüssen und vier Einsteckenden

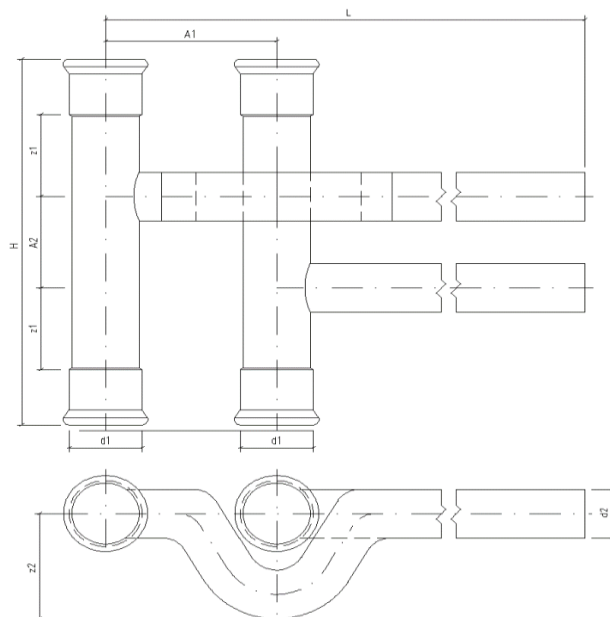
Twin pipe crossover tee, four female ends and four male plain ends



SANHA-Therm	SANHA-Therm Industry	d1 [mm]	d2 [mm]	A1 [mm]	A2 [mm]	H [mm]	L [mm]	z1 [mm]	z2 [mm]
1245821212		12	12	60	40	138	500	33	20
1245821512		15	12	60	40	139	500	32	21
1245821515		15	15	60	40	139	500	32	24
1245821812		18	12	60	40	139	500	30	22
1245821815		18	15	60	40	139	500	30	25
1245822212		22	12	60	40	139	500	26	24
1245822215		22	15	60	40	139	500	26	29
1245822815		28	15	60	40	139	500	23	23

Kreuzungs-T-Stück zur Radiatoranbindung, mit vier Universalpressanschlüssen und zwei Einsteckenden

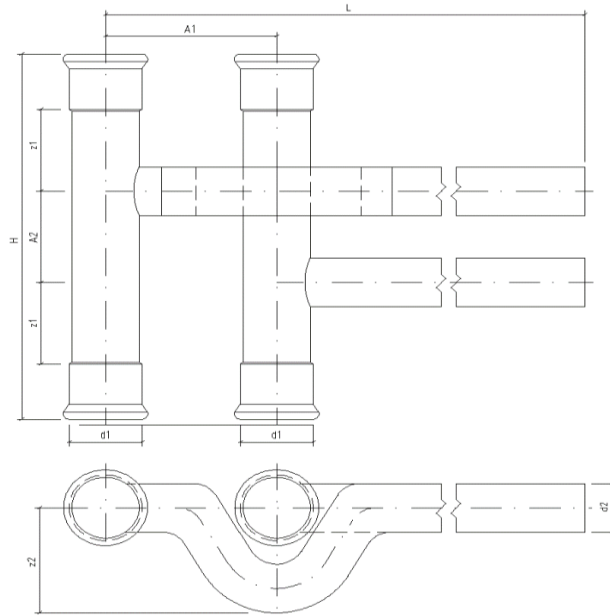
Cross tee for radiators, four female ends and two male plain ends



SANHA-Therm	SANHA-Therm Industry	d1 [mm]	d2 [mm]	A1 [mm]	A2 [mm]	H [mm]	L [mm]	z1 [mm]	z2 [mm]
1245851212		12	12	40	40	138	270	33	20
1245851512		15	12	40	40	139	270	32	21

Kreuzungs-T-Stück, mit vier Universalpressanschlüssen und zwei Einsteckenden

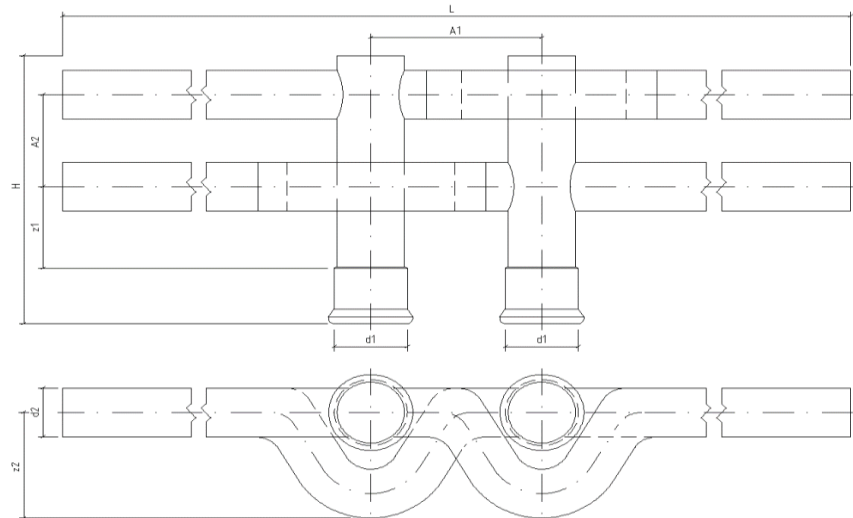
Cross tee, four female ends and two male plain ends



SANHA-Therm	SANHA-Therm Industry	d1 [mm]	d2 [mm]	A1 [mm]	A2 [mm]	H [mm]	L [mm]	z1 [mm]	z2 [mm]
1245831512		15	12	60	40	139	280	32	21
1245831515		15	15	60	40	139	280	32	24
1245831812		18	12	60	40	139	280	30	22
1245831815		18	15	60	40	139	280	30	25
1245832212		22	12	60	40	139	280	26	24
1245832215		22	15	60	40	139	280	26	29
1245832815		28	15	60	40	139	280	23	23

Doppelkreuzungs-T-Stück für Strangende, mit zwei Universalpressanschlüssen und vier Einsteckenden

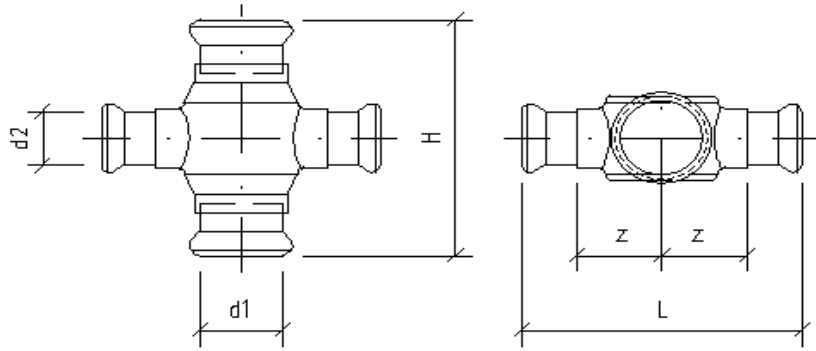
Twin pipe crossover tee for pipe end, two female ends and four male plain ends



SANHA-Therm	SANHA-Therm Industry	d1 [mm]	d2 [mm]	A1 [mm]	A2 [mm]	H [mm]	L [mm]	z1 [mm]	z2 [mm]
1245841212		12	12	60	40	100	500	33	20
1245841512		15	12	60	40	103	500	32	21
1245841515		15	15	60	40	103	500	32	24
1245841812		18	12	60	40	103	500	30	22
1245841815		18	15	60	40	103	500	30	25
1245842212		22	12	60	40	103	500	26	24
1245842215		22	15	60	40	103	500	26	29

**Kreuzungs-Fitting, allseitig mit
Universalpressanschluss**

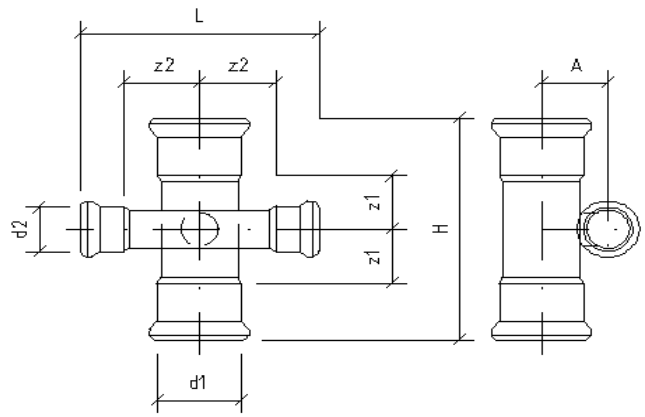
Cross, female ends



SANHA-Therm	SANHA-Therm Industry	d1 [mm]	d2 [mm]	H [mm]	L [mm]	z [mm]
1241802215		22	15	85	79	21

**Kreuzungsverteiler, allseitig mit
Universalpressanschluss**

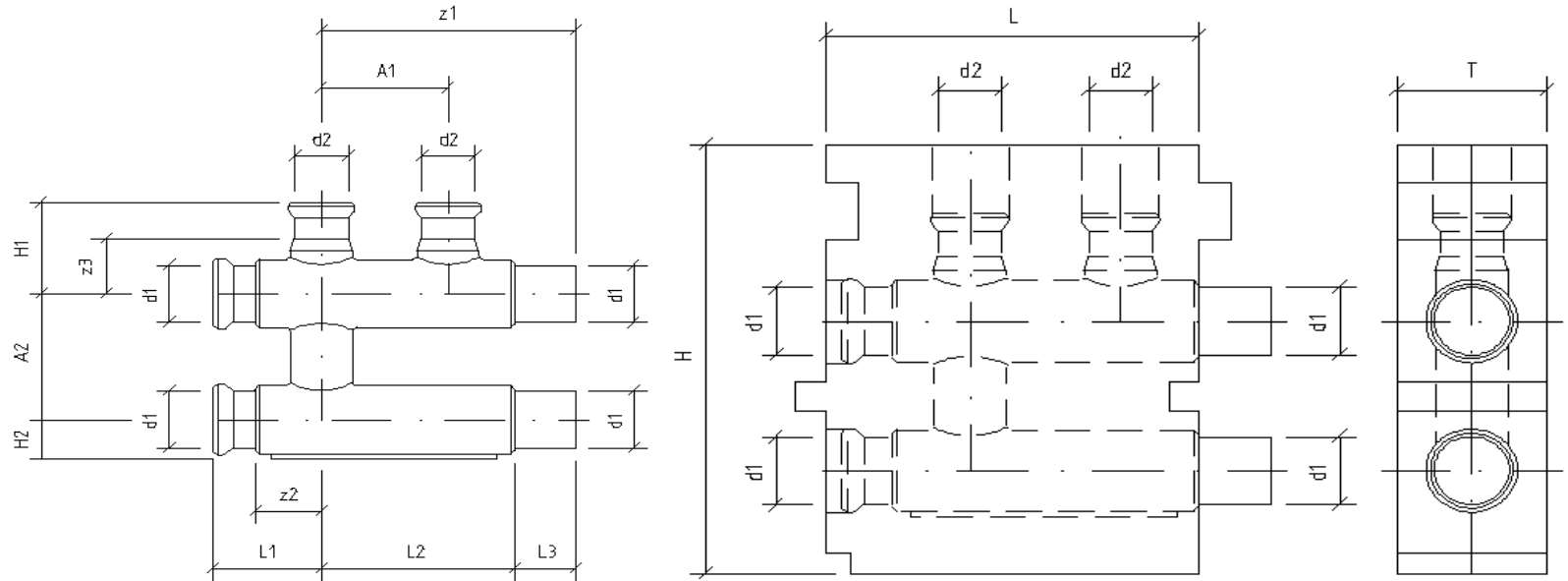
Cross distributor, female ends



SANHA-Therm	SANHA-Therm Industry	d1 [mm]	d2 [mm]	A [mm]	H [mm]	L [mm]	z1 [mm]	z2 [mm]
12418115.1		15	15	17	68	68	16	16
1241811815.1		18	15	20	72	68	16	16
1241812215.1		22	15	22	80	68	16	16
1241812218.1		22	18	24	80	72	16	16
1241812815.1		28	15	25	92	68	19	16
1241812818.1		28	18	27	92	72	19	16

Kreuzungs-T-Stück, mit Isolierbox, Dämmschichtdicke 8 mm, Wärmedurchgangskoeffizient der Box 0,0039 W/mK, allseitig mit Universalpressanschluss

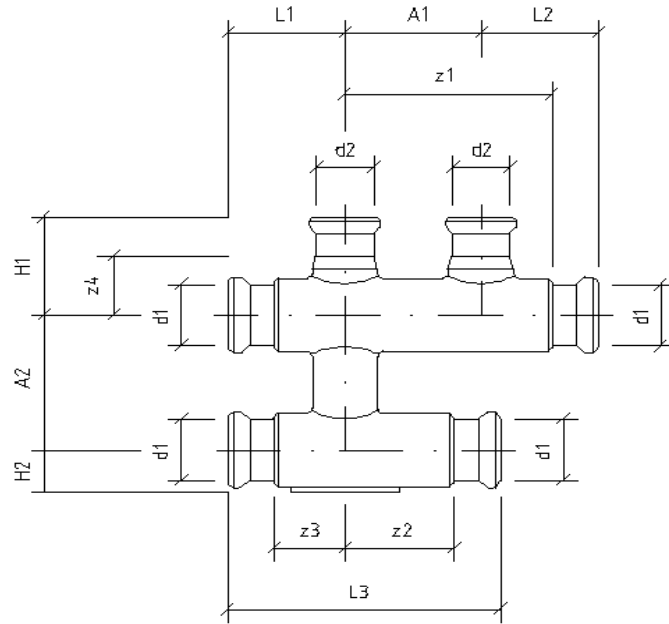
Cross tee, with insulation box, insulation wall thickness 8 mm, thermal transmission coefficient 0,0039 W/mK, female ends



SANHA-Therm	SANHA-Therm Industry	d1 [mm]	d2 [mm]	A1 [mm]	A2 [mm]	H [mm]	H1 [mm]	H2 [mm]	L [mm]	L1 [mm]	L2 [mm]	L3 [mm]	T [mm]	z1 [mm]	z2 [mm]	z3 [mm]
124581221222		22	12	50	55	160	45	15	100	33	61	32	50	93	9	29
124581221522		22	15	50	55	160	51	15	100	33	61	32	50	93	9	33

**Kreuzungs-T-Stück, allseitig mit
Universalpressanschluss**

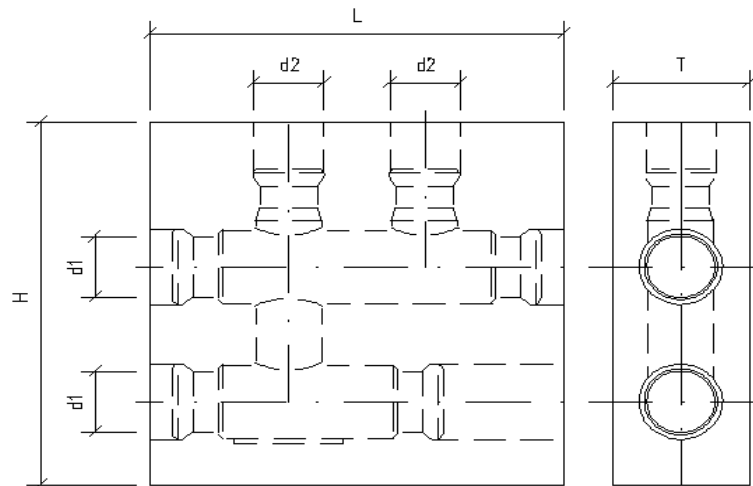
Cross tee, female ends



SANHA-Therm	SANHA-Therm Industry	d1 [mm]	d2 [mm]	A1 [mm]	A2 [mm]	H1 [mm]	H2 [mm]	L1 [mm]	L2 [mm]	L3 [mm]	z1 [mm]	z2 [mm]	z3 [mm]	z4 [mm]
124580115		15	15	50	55	43	15	43	43	100	75	39	25	25
1245801151215		15	12	50	55	45	15	43	43	100	75	39	25	29
1245801181218		18	12	50	55	45	15	43	43	100	73	37	23	29
1245801181518		18	15	50	55	40	15	43	43	100	73	37	23	22
1245801221522		22	15	50	55	40	15	43	43	100	69	33	19	22
1245801221522		22	18	50	55	40	15	43	43	100	69	33	19	20

Kreuzungs-T-Stück (Kat-Nr. 24580.1), mit Isolierbox, Dämmschichtdicke 8 mm, Wärmedurchgangskoeffizient der Box 0,0039 W/mK, allseitig mit Universalpressanschluss

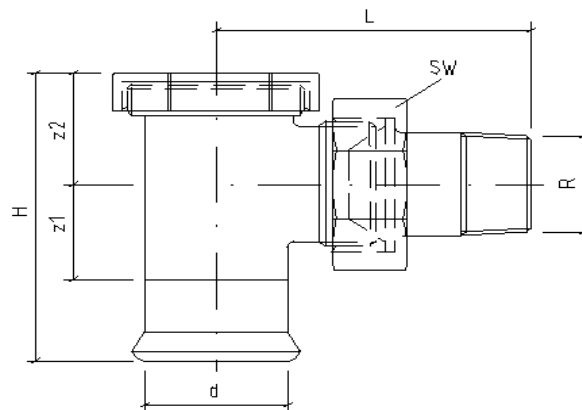
Cross tee (Cat.-no. 24580.1), with insulation box, insulation wall thickness 8 mm, thermal transmission coefficient 0,0039 W/mK, female ends



SANHA-Therm	SANHA-Therm Industry	d1 [mm]	d2 [mm]	H [mm]	L [mm]	T [mm]
12458015		15	15	148	152	50
124580151215		15	12	148	152	50
124580181218		18	12	148	152	50
124580181518		18	15	148	152	50
1245801221522		22	15	148	152	50
1245801221822		22	18	148	152	50

Radiatorverschraubung, Eckform, mit Universalpressanschluss und Außengewinde

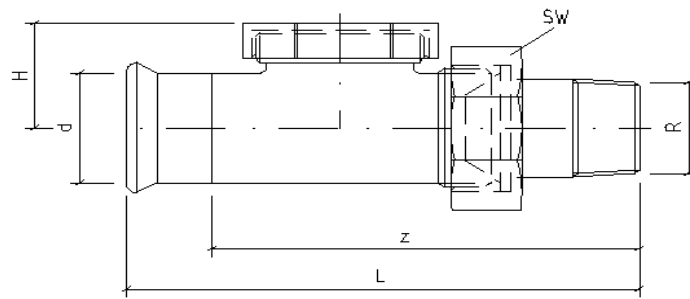
Radiator union, angle form, female end and male thread



SANHA-Therm	SANHA-Therm Industry	d [mm]	R	H [mm]	L [mm]	SW [mm]	z1 [mm]	z2 [mm]
314APV1512		15	1/2	50	52	30	12	20

Radiatorverschraubung, Durchgangsform, mit Universalpressanschluss und Außengewinde

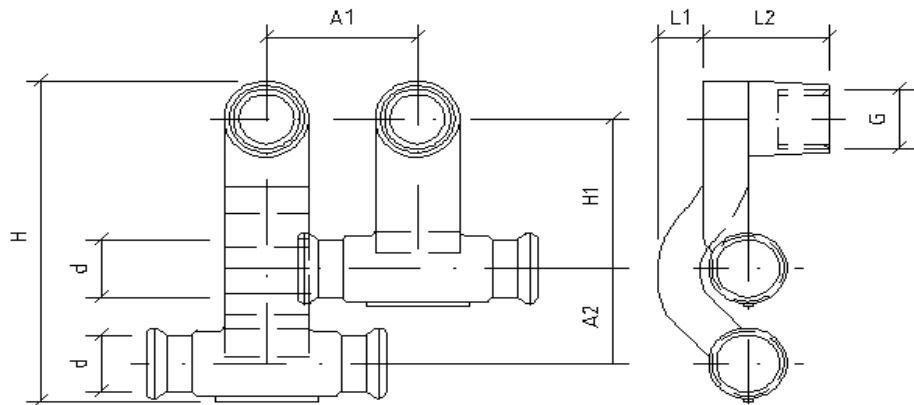
Radiator union, passage form, female end and male thread



SANHA-Therm	SANHA-Therm Industry	d [mm]	R	H [mm]	L [mm]	SW [mm]	z [mm]
315APV1512		15	1/2	29	78	30	60

Sockelleisten-Heizkörperanschluss, beidseitig mit Universalpressanschluss und Befestigungsgewinde

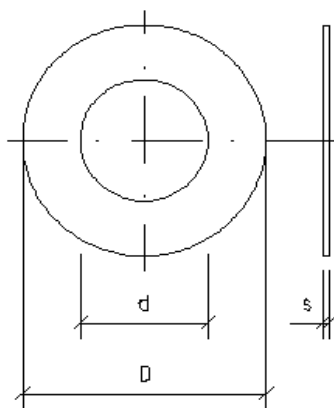
Skirting rail radiator connector, both sides female end and female thread



SANHA-Therm	SANHA-Therm Industry	d [mm]	G	A1 [mm]	A2 [mm]	H [mm]	H1 [mm]	L1 [mm]	L2 [mm]
1245901512		15	1/2	50	55	117	35	16	42
1245901812		18	1/2	50	55	117	35	16	42

Hochdruckflanschdichtung,
asbestfrei

High-pressure flange, seal, free of
asbestos



SANHA-Therm	SANHA-Therm Industry	DN	D [mm]	d [mm]	s [mm]
	1D32	32	82	43	2
	1D40	40	92	49	2
	1D50	50	107	61	2
	1D65	65	127	77	2
	1D80	80	142	89	2
	1D100	100	168	115	2

Änderungen bezüglich technischer Angaben sowie Druckfehler sind vorbehalten.

Technical characteristics and misprints are subjects to changes.

Stand / Version: 03.2019