

ECOSOFT P'URE SERIES COMPACT IRON AND HARDNESS REDUCTION FILTERS

APPLICATIONS:

Water purification for whole house/apartment

PURIFICATION TECHNOLOGY:

- **ECOMIX® C** — provides iron-free crystal clear soft water with bluish tint. FK series advanced water softeners reduce iron, hardness, manganese, ammonium, and organic matter
- **DOWEX HCR-S/S** — provides softened water. FU series softeners remove ions of hardness metals

CONTROL VALVE:

Ecosoft Clack WS1 CE (time and volume regenerated)

KEY FEATURES:

1. Compact and elegant design
2. Up to 3 times less salt usage per regeneration compared to competitive products
3. Fully automated operation and regeneration
4. Versatile modern control valve with multilingual menu
5. 36 months warranty

COMPONENTS:

Cabinet softener assembly, including:

- Carton box with color printing
- Control valve with injector, drain line flow control (DLFC), top distributor and power adaptor
- Cabinet housing with pressure tank, riser pipe and bottom distributor
- Filter media
- Parts and instruction manual

OPTIONS:

- Inline bypass assembly
- Inline external mixing valve
- Motorized No Hard Water Bypass Valve for bypass shutoff during regeneration
- Motorized three-way Alternating Valve for routing water in Twin systems
- Multi-unit system controller
- Microswitch (regeneration activated)



Code	Product
ECOSOFT P'URE ADVANCED WATER SOFTENERS (ECOMIX® C)	
FK0835CABCEMIXC	Ecosoft P'URE advanced water softener
FK1035CABCEMIXC	Ecosoft P'URE advanced water softener
FK1235CABCEMIXC	Ecosoft P'URE advanced water softener
ECOSOFT P'URE WATER SOFTENERS (DOWEX® HCRS/S)	
FU1018CABCE	Ecosoft P'URE water softener
FU0835CABCE	Ecosoft P'URE water softener
FU1035CABCE	Ecosoft P'URE water softener
FU1235CABCE	Ecosoft P'URE water softener

* List prices are without VAT

TECHNICAL SPECIFICATIONS:

Parameter	FK0835CABCEMIXC	FK1035CABCEMIXC	FK1235CABCEMIXC
Operating/maximum flow rate, m ³ /h	0.6/0.8	1.0/1.2	1.4/1.8
Quantity of ECOMIX® I	18	25	37
Volume capacity, m ³ @ 250 mg/l CaCO ₃ influent hardness	2.2	3	4.5
Usage of salt per regeneration ¹ , kg	1.8–2.8	2.5–4.0	3.7–6.0
Usage of water per regeneration (= discharge per regeneration), m ³	0.18	0.25	0.37
Duration of regeneration, minutes		80–110	
Pressure drop in service mode, bar		0.5	
Inlet pressure, bar		2–6	
Electrical requirements		230 V, 50 Hz	
Power consumption, W		30	
Inlet/outlet pipe connections		1"	
Dry weight, kg	30	35	45
Overall dimensions, (Width × Depth × Height), cm	35 x 52 x 113	35 x 52 x 113	35 x 52 x 113

INFLUENT WATER LIMITATIONS:

Hardness	750 mg/l CaCO ₃
Iron	15 mg/l
Manganese	3 mg/l
Chemical Oxygen Demand	20 mg/l O ₂
Ammonium	4 mg/l
Sediment prefilter rating	100 µm
Temperature of water ²	+4...+30 °C

TECHNICAL SPECIFICATIONS:

Parameter	FU1018CABCE	FU0835CABCE	FU1035CABCE	FU1235CABCE
Operating/maximum flow rate, m ³ /h	0.8/1.0	1.0/1.3	1.5/2.0	2.2/2.8
Quantity of DOWEX® HCR-S/S, l	12	18	25	37
Volume capacity, m ³ @ 250 mg/l CaCO ₃ influent hardness	2.4	3.5	5	7.5
Usage of salt per regeneration ¹ , kg	1.2–1.9	1.8–2.8	2.5–4.0	3.7–6.0
Usage of water per regeneration (= discharge per regeneration), m ³	0.12	0.18	0.25	0.37
Duration of regeneration, minutes			80–110	
Pressure drop in service mode, bar			0.5	
Inlet pressure, bar			2–6	
Electrical requirements			230 V, 50 Hz	
Power consumption, W			30	
Inlet/outlet pipe connections			1"	
Dry weight, kg	20	30	35	45
Overall dimensions, (Width × Depth × Height), cm	35 x 52 x 70	35 x 52 x 113	35 x 52 x 113	35 x 52 x 113

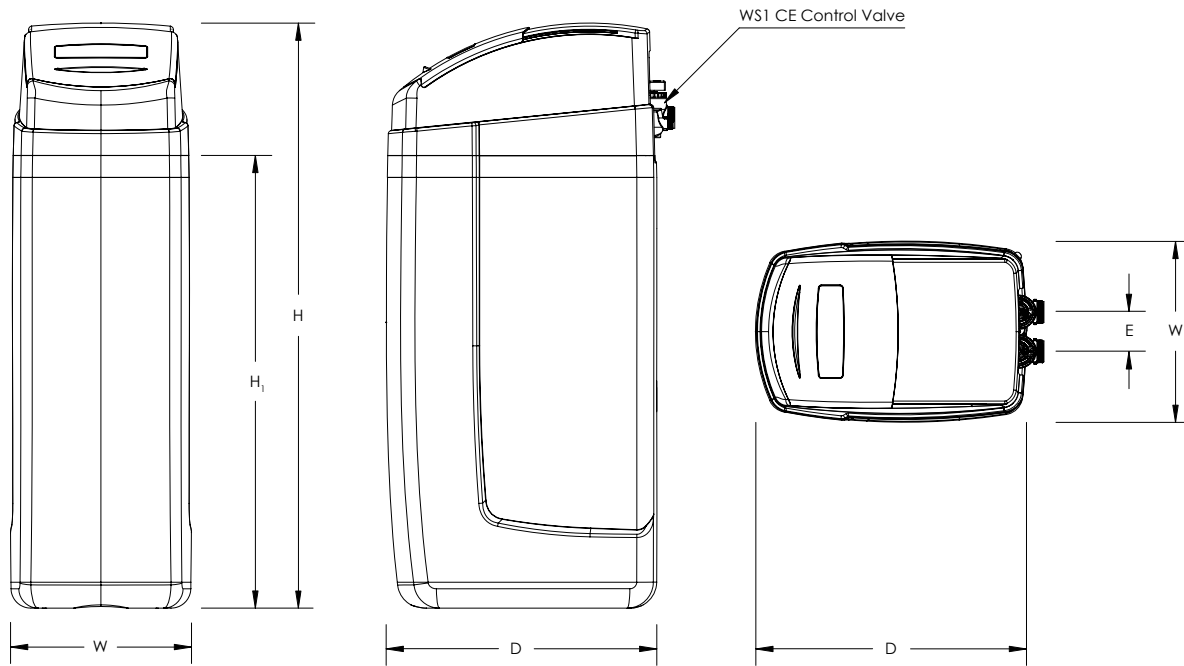
INFLUENT WATER LIMITATIONS:

Hardness	750 mg/l CaCO ₃
Iron	0.2 mg/l
Manganese	0.05 mg/l
Chemical Oxygen Demand	5 mg/l O ₂
Sediment prefilter rating	100 µm
Temperature of water ²	+4...+30 °C

¹ It is recommended to use Ecosil pelletized salt for regeneration

² The product is only suitable for cold water

ECOSOFT P'URE CABINET DIMENSIONS



Model	Control valve port sizes (port height**, mm)				E (distance between Inlet / Outlet)	Dimensions*, mm			
	Water Inlet	Water Outlet	Drain Outlet	Brine Inlet		W	D	H	H ₁
FU1018CABCE	1" M (540)	1" M (540)	3/4" M (640)	3/8" CF (640)	78	350	520	700	450
FK0835CABCEMIXC FU0835CABCE	1" M (970)	1" M (970)	3/4" M (1070)	3/8" CF (1070)	78	350	520	1130	880
FK1035CABCEMIXC FU1035CABCE	1" M (970)	1" M (970)	3/4" M (1070)	3/8" CF (1070)	78	350	520	1130	880
FK1235CABCEMIXC FU1235CABCE	1" M (970)	1" M (970)	3/4" M (1070)	3/8" CF (1070)	78	350	520	1130	880

* Dimensions are for reference only. The dimensions may vary ±30 mm between batches of the product.

** M — male, F — female, CF — compression fitting