

Drinking water treatment unit

Depura 700

Standard security filters for 7" cartridges



The water generally used in industrial and domestic water systems contains a certain amount of suspended solid particles of different nature, such as sand, rust and so on. These particles, whose diameter may vary from a few microns to some millimetres, often cause damage and corrosion to water system, taps and household appliances. To solve the problem it is necessary to install a filter upstream the system or the equipment to be protected. There are different types of security filters; anti flood filters, manual self cleaning filters and automatic self cleaning filters.

Depura 700 - Features

Depura 700 are standard security filters which remove sand and foreign bodies from water. They are used for civil, technical and industrial use. They are made up of head in brass or polypropylene and housing in SAN plastic material, resistant to high pressure, or Trogamid, resistant to high temperature too. Depura 700 can house the filter cartridges below:

- Washable net 7" PP 60µm
- Washable net 7" PP 90µm
- STAINLESS STEEL Washable net 7" 90µm
- FLAT STAINLESS STEEL Washable net 7" 90µm
- Wound cotton 7" PP 5µm
- Wound cotton 7" PP 20µm

All equipment in contact with drinking water is manufactured with top quality materials, certified for food use.

Depura 700 - Installation

- Depura 700 must be installed by qualified staff in a dry place, protected from frost and sun rays.
- During the installation, make sure no impacts are caused, as they might damage the housing.
- Use cylindrical fittings to connect the filter to pipes.
- Install the filter vertically.
- The flow direction has to follow the arrows printed on the filter head.
- Do not install the filter in situations which may cause depressions to the water system.
- Always provide a by-pass system with valves.
- Check the technical features of the filter shown in the chart correspond to the operating conditions requested.
- In case of high and/or pulsating main s pressure, it is necessary to install a pressure reducer and a water hammer shock absorber.
- In applications for potable use, once the filter has been installed, it is recommended to carry out a disinfection of the system.
- The housing must be screwed on the filter head through the ring nut.

Depura 700 - Maintenance

- Clean the filter by washing or replacing the filter cartridge.
- In presence of lime or day, the frequency of washing and replacing may increase considerably.
- Before disassembling the cartridge to wash or replace it, cut out the filter from the system by closing the stop valves and opening the bypass valve.
- Use common soap and potable, clear and clean water to clean housing and cartridge.

Drinking water treatment unit

Depura 700

Standard security filters for 7" cartridges

Technical data — Depura 700 without cartridge

CODE	ITEM	CONNECTIONS	MATERIAL (head/housing)	DIMENSIONS (l x h)	PN	USE	Water temperat.	Ambient temperat.
101.029.80	Depura 700 PP 1/2"	1/2" f	PP/SAN	13 x 26 cm	10 bar	tec/pot	5-40 °C	5-50 °C
101.030.00	Depura 700 PP 3/4"	3/4" f	PP/SAN	13 x 26 cm	10 bar	tec/pot	5-40 °C	5-50 °C
101.050.00	Depura 700 PP 1"	1" f	PP/SAN	13 x 26 cm	10 bar	tec/pot	5-40 °C	5-50 °C
101.128.00	Depura 700 OT 3/4"	3/4" f	Brass/SAN	13 x 25 cm	10 bar	tec/pot	5-40 °C	5-50 °C
101.130.00	Depura 700 OT 1"	1" f	Brass/SAN	13 x 25 cm	10 bar	tec/pot	5-40 °C	5-50 °C
101.139.80	Depura 700 OTR 3/4"	3/4" f	Brass/trogamid	13 x 25 cm	16 bar	tec/pot	5-80 °C	5-50 °C
101.140.00	Depura 700 OTR 1"	1" f	Brass/trogamid	13 x 25 cm	16 bar	tec/pot	5-80 °C	5-50 °C

Technical data — 7" filter cartridges (compatible)

CODE	ITEM	µm	MATERIAL	DIMENSIONS (l x h)	FLOW RATE (ΔP = 0,2 bar)			USE
					Connections			
					1/2"	3/4"	1"	
103.010.30	Washable net 7" PP 60µm	60	PP/PA	6 x 18 cm	2,00 m ³ /h	2,50 m ³ /h	3,50 m ³ /h	tec/pot
103.010.40	Washable net 7" PP 90µm	90	PP/PA	6 x 18 cm	2,25 m ³ /h	2,75 m ³ /h	3,75 m ³ /h	tec/pot
103.020.30	STAINLESS STEEL Washable net 7" 90µm	90	STAINLESS STEEL	6 x 18 cm	2,30 m ³ /h	2,80 m ³ /h	3,80 m ³ /h	tec/pot
103.020.70	FLAT STAINLESS STEEL Washable net 7" 90µm	90	FLAT ST.S STEEL	6 x 18 cm	2,30 m ³ /h	2,80 m ³ /h	3,80 m ³ /h	tec/pot
103.030.40	Wound cotton 7" PP 5µm	5	PP	5,5 x 18 cm	1,80 m ³ /h	2,30 m ³ /h	3,30 m ³ /h	tec
103.030.30	Wound cotton 7" PP 20µm	20	PP	5,5 x 18 cm	1,90 m ³ /h	2,40 m ³ /h	3,40 m ³ /h	tec

Accessories

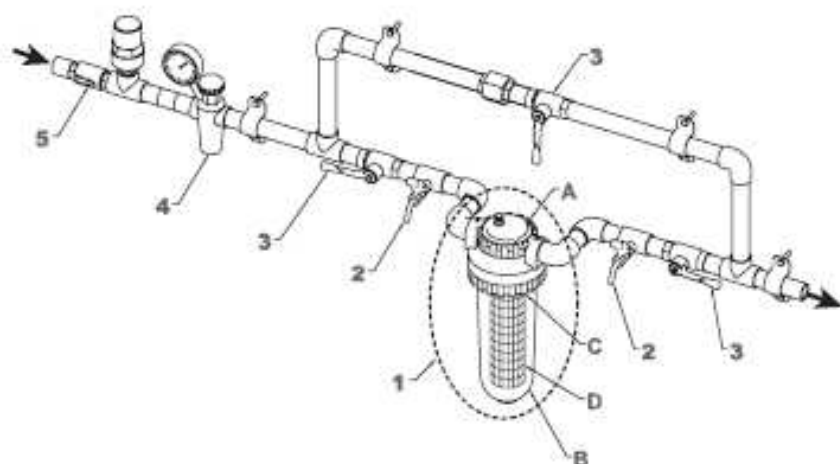
CODE	ITEM
125.210.50	Big wrench

Drinking water treatment unit

Depura 700

Standard security filters for 7" cartridges

Installation drawing



1. Filter
 - A) Head
 - B) Housing
 - C) Ring nut
 - D) Cartridge
2. Water sampling valve
3. Cut-off/on valve
4. Pressure reducer
5. Check valve

Description for quotations.

Depura 700 without cartridge. Supply of standard security filter to filter water for potable and technical use. Filter is resistant and made up of head, housing and ring nut in food grade materials. Supply consists of:

- Head in polypropylene or brass, housing in SAN or trogamid
- Instruction manual