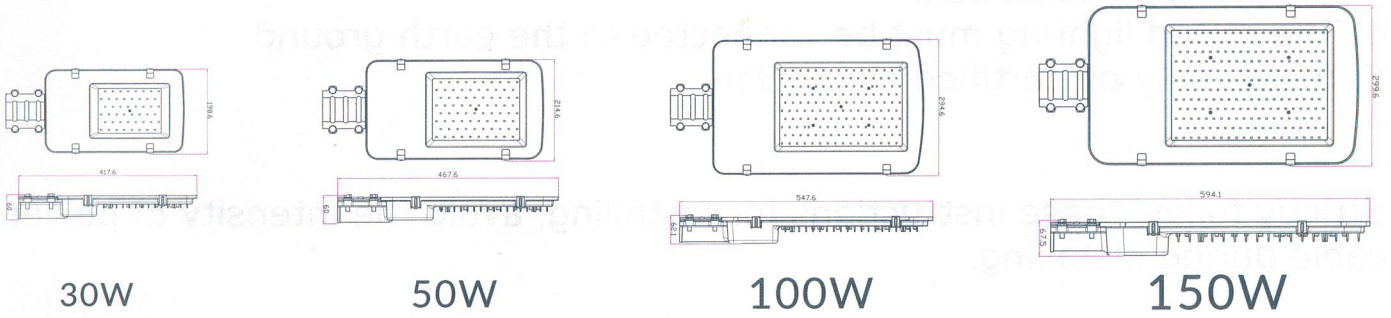


LED STREET LIGHT INSTRUCTION



ITEM NO	POWER(W)	TEMPERATURE COLOR(K)	LUMINOUS(Lm)	IP	CRI(Ra)	VOLTAGE(V)	BEAM ANGLE	POWER FACTOR	LIFE(H)
VT-30ST	30W	4000K/6400K	3600LM	IP65	80	175-265V 50Hz	110°	>0.9	50000
VT-50ST	50W	4000K/6400K	6000LM	IP65	80	175-265V 50Hz	110°	>0.9	50000
VT-100ST	100W	4000K/6400K	12000LM	IP65	80	175-265V 50Hz	110°	>0.9	50000
VT-150ST	150W	4000K/6400K	18000LM	IP65	80	175-265V 50Hz	110°	>0.9	50000

*** 5 YEAR WARRANTY**

V-TAC[®] PRO

*Suitable for 10-12 hours daily, usage of the product for 24 hours a day would void warranty



WARNING

1. ENSURE ELECTRICITY IS SWITCHED OFF BEFORE INSTALL.
2. Please read through all following instructions before installing the unit.
3. User should prepare necessary accessories and spare parts (not provided) including junction box.
4. The raised lighting must be connected to the earth ground.
5. Install only by certified electrician.

Strictly follow these instructions for installing, avoid the intensity of power cable during installing.

INSTALLATION:

