



AZIENDA CERTIFICATA



ISO 9001

SELECTRIC s.r.l. V. Bordigona, 13 - 54100 Massa (MS) Tel 0585 791880 Fax 0585 791850 www.selectric.it selectric@selectric.it

UE DECLARATION OF COMPLIANCE

The producer: **SELECTRIC SRL**

Address: Bordigona street nr. 13 – 54100 Massa (Ms) – Italy

Declare under own responsibility that the products :

Electricity distribution columns for campsites and motorhome parking

CAP4062R4

Complies with the following norms:

- CEI EN61439-7 : 2020
- CEI EN 64-8/7-708:2012

and therefore meets the Directive's essential requisites B.T. 2014/35UE e 2014/30/UE

Massa 20/05/2021

SELECTRIC SRL

Mazzoni Roberto
Unique administrator

**ELECTRICITY DISTRIBUTION COLUMN FOR CAMPING AND CARAVAN AREA
STANDARD CEI EN 61439-7 (ACCS acronym) WITH THE REQUIREMENTS OF THE STANDARD CEI
64-8 / 7 Part 708
(information on transport, installation, operation and maintenance)**

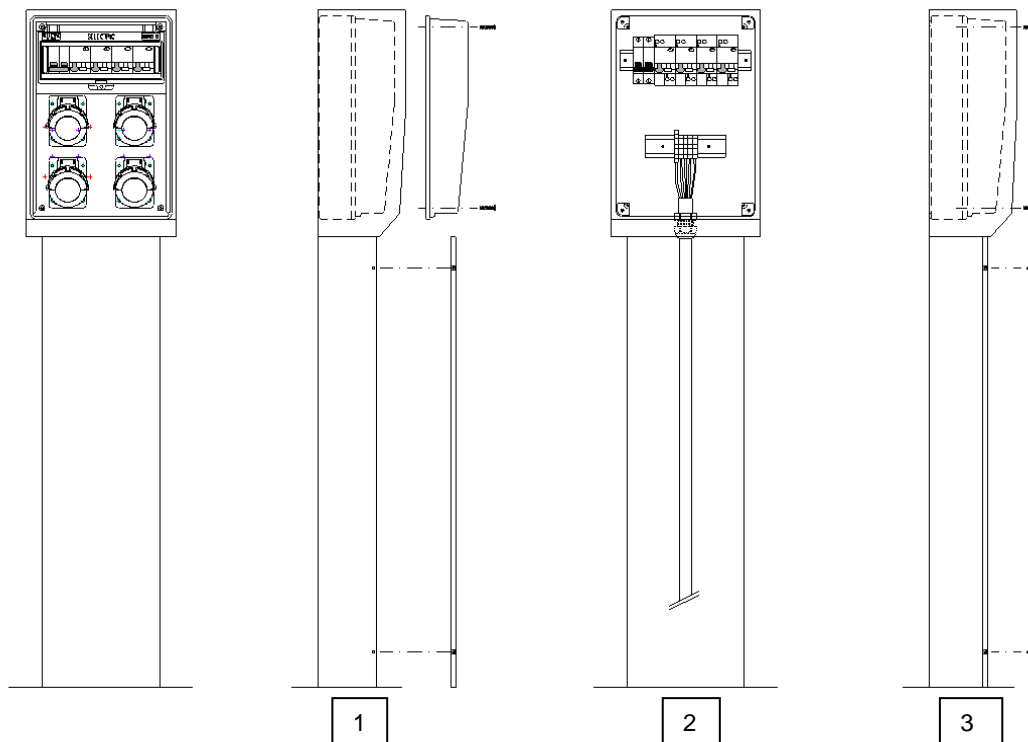
Transport temperature, storage and installation

The temperature must be within the range $-25^{\circ}\text{C} \div +55^{\circ}\text{C}$ and, for short periods not over 24h, up to $+70^{\circ}\text{C}$.


Installation instructions

- The column must be connected, according to the CEI standards in force, by qualified personnel, in compliance with the requirements of Ministerial Decree 37/08.
 - In the case of installation in points with short circuit current values higher than the nominal, protect adequately.
 - The column is equipped with protective conductors suitable for TT type coordination; the installer must check the settings of the protection equipment in relation to the value of the earth resistance.
- The column has output units made with sockets individually protected by differential magneto thermic switches.

INSTALLATION PHASES: (Also valid for combinations with 2-3 sockets)



- 1) Open the front cover of the metal structure and remove the cover of the electrical box.
- 2) Insert the cable into the electrical panel through the cable gland. Connect it to the terminal block respecting the indications on the label.
- 3) Close the cover of the electrical box and the cover of the metal structure, fix the plate of the column base with 4 screws $\varnothing 8\text{mm}$.

NOTE: The power supply cable must have double insulation  or, if of any other type, must be protected with a suitable tube or sheath.



AZIENDA CERTIFICATA



ISO 9001

SELECTRIC s.r.l. V. Bordigona, 13 - 54100 Massa (MS) Tel 0585 791880 Fax 0585 791850 www.selectric.it selectric@selectric.it

Operating conditions

The switchgear is intended to be used in the following normal conditions:

- Ambient temperature: not higher than + 40 ° C (not higher than the maximum value of + 35 ° C, referred to a period of 24h), not lower than -25 ° C.
- Atmospheric conditions: relative humidity can temporarily reach 100% at a maximum temperature of + 25 ° C.
- Pollution degree: the switchgear works in a heavily polluted atmosphere.
- Altitude: the altitude must not exceed 2,000 m.
- Electromagnetic compatibility: the panel is suitable for environment B
- Mechanical resistance to impacts 6 joules

Do not change the characteristics or the intended use (the characteristics of the protections, sockets, terminal blocks, cable glands, etc. must not be changed). Keep the panel in an accessible and inspectable position. Do not hinder cooling with inappropriate covers. Do not obstruct access to emergency controls. Check the operation of the differential switch on a monthly basis with the appropriate test button.

Maintenance

Maintenance must be carried out by a qualified person in compliance with the requirements of Ministerial Decree 37/08.

Maintenance serves both to contain the normal degradation of use and to cope with accidental events. In case of malfunctions or deterioration of components, replace with components of the same brand and with the same mechanical and electrical characteristics.

Immediately replace damaged parts that do not guarantee the degree of protection.

If the panel or any of its components has suffered a shock, also check whether there are any external damages. Restore missing plates and information.

Tightening torques

To connect the cables to the terminal blocks, observe the following tightening torques:

Modular terminal block terminals	
TERMINAL SECTION (mm ²)	(Nm)
2,5	0,4
4	0,8
6	0,8

The remaining information is shown on the plate.

Selectric s.r.l. he is relieved of any responsibility in the event of modifications or anomalous interventions to the column.

