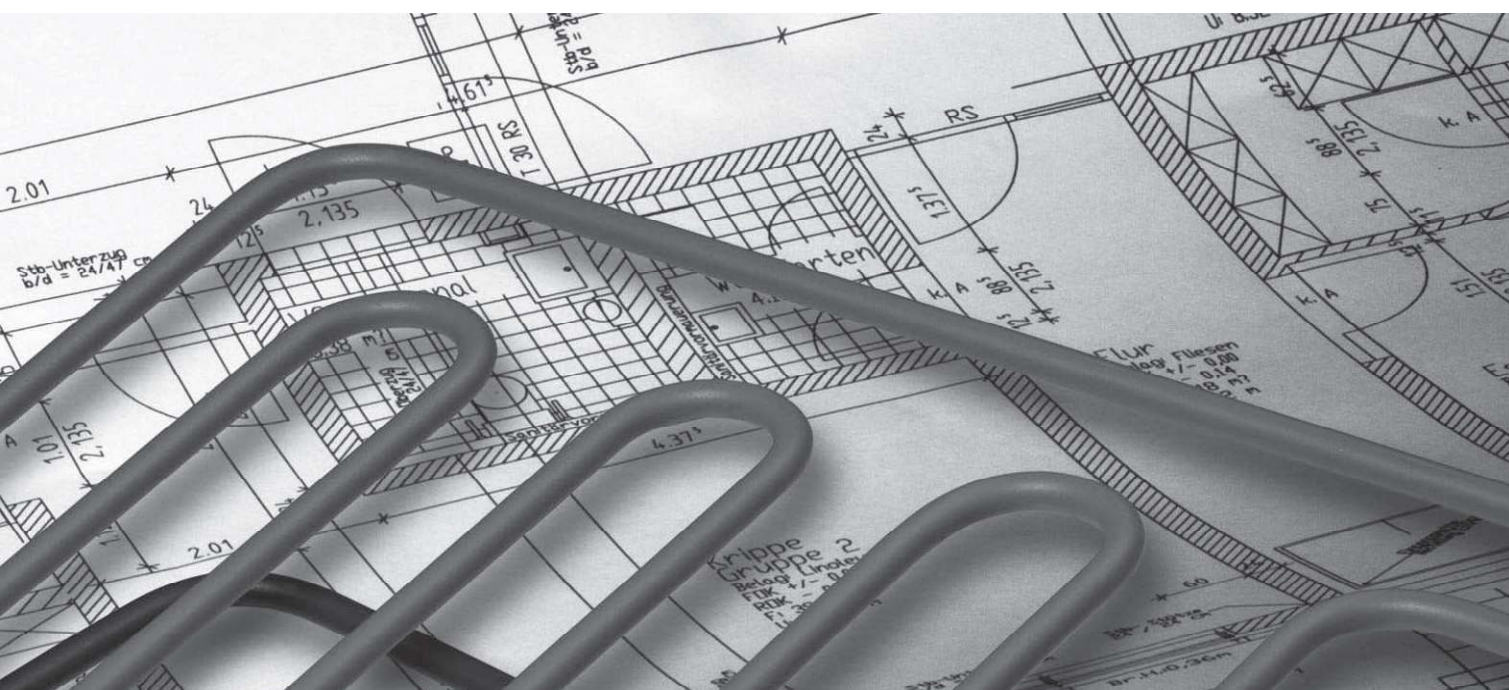


Calculation tools



x-net C11 knob system

x-net C11 knob panel 30-2 mm (SFDNSP01000)						x-net C11 knob panel 11 mm (SFDNSP02000)			
		x-net PE-Xc pipe 14 x 2 (SFRPE014...)		x-net PE-Xc pipe 16 x 2 (SFRPE016...)		x-net PE-Xc pipe 14 x 2 (SFRPE014...)		x-net PE-Xc pipe 16 x 2 (SFRPE016...)	
Installation spacing in cm	Pipe requirement in m ²	EDP number ¹⁾	Kit price in EUR	EDP number ¹⁾	Kit price in EUR	EDP number ¹⁾	Kit price in EUR	EDP number ¹⁾	Kit price in EUR
VA 5.5	16.7	SFBNSP0114055	44.53 / m ²	SFBNSP0316055	48.04 / m ²	SFBNSP0214055	43.19 / m ²	SFBNSP0416055	46.70 / m ²
VA 11	8.4	SFBNSP0114110	30.84 / m ²	SFBNSP0316110	32.60 / m ²	SFBNSP0214110	29.50 / m ²	SFBNSP0416110	31.26 / m ²
VA 16.5	5.6	SFBNSP0114165	26.22 / m ²	SFBNSP0316165	27.39 / m ²	SFBNSP0214165	24.88 / m ²	SFBNSP0416165	26.05 / m ²
VA 22	4.2	SFBNSP0114220	23.91 / m ²	SFBNSP0316220	24.79 / m ²	SFBNSP0214220	22.57 / m ²	SFBNSP0416220	23.45 / m ²
VA 27.5	3.3	SFBNSP0114275	22.42 / m ²	SFBNSP0316275	23.12 / m ²	SFBNSP0214275	21.08 / m ²	SFBNSP0416275	21.78 / m ²
VA 33	2.8	SFBNSP0114330	21.60 / m ²	SFBNSP0316330	22.19 / m ²	SFBNSP0214330	20.26 / m ²	SFBNSP0416330	20.85 / m ²

The construction kit price includes all individual parts needed to install the heating surface, thus permitting fast and easy calculation. Additional insulation, levelling layers and floor seals etc. must be calculated separately on the basis of the particular installation situation.

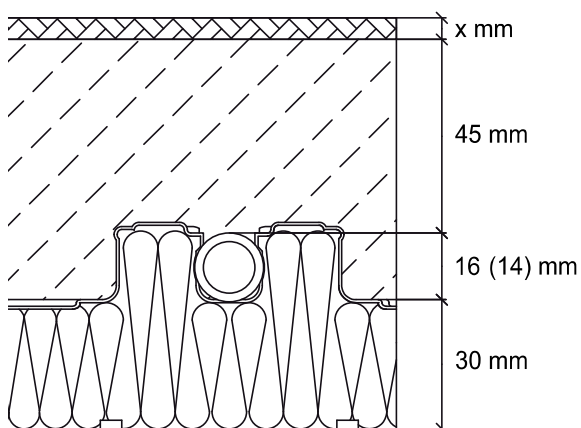
Remarks:

- ¹⁾ The EDP number is used only as a simplified text block (tenders). It is not the product code for ordering!

The construction kit price includes:

- Required pipe as listed in the table
- 1 m² x-net C11 knob panel
- 1 m x-net edge insulation strip (SFZRS001000)
- 0.18 kg x-net screed additive H2000 (SFZEZ211000)

System cross-section – x-net C11 knob system



Shown as an example:

- x-net C11 knob panel 30-2 mm
- Cement screed CT-F4 with 45 mm pipe covering, for light payloads

x-net knob film economic

x-net knob film economic (SFDNSP06000)

Installation distance in cm	Pipe requirement in m/m ²	x-net PE-Xc pipe 16 x 2 (SFRPE016...)		x-net PE-Xa pipe 16 x 2 (SFRPEA16...)		x-net PE-Xa pipe 17 x 2 (SFRPEA17...)	
		EDP number ¹⁾	Kit price in EUR	EDP number ¹⁾	Kit price in EUR	EDP number ¹⁾	Kit price in EUR
VA 6	15.4	SFBNSF0116060	43.05 / m ²	SFBNSF0216060	43.05 / m ²	SFBNSF0217060	43.05 / m ²
VA 12	7.7	SFBNSF0116120	28.73 / m ²	SFBNSF0216120	28.73 / m ²	SFBNSF0217120	28.73 / m ²
VA 18	5.1	SFBNSF0116180	23.89 / m ²	SFBNSF0216180	23.89 / m ²	SFBNSF0217180	23.89 / m ²
VA 24	3.8	SFBNSF0116240	21.48 / m ²	SFBNSF0216240	21.48 / m ²	SFBNSF0217240	21.48 / m ²
VA 30	3.1	SFBNSF0116300	20.17 / m ²	SFBNSF0216300	20.17 / m ²	SFBNSF0217300	20.17 / m ²

The kit price includes all individual parts needed to install the heating surface, thus permitting fast and easy calculation. Additional insulation, levelling layers and floor seals etc. must be calculated separately on the basis of the particular installation situation.

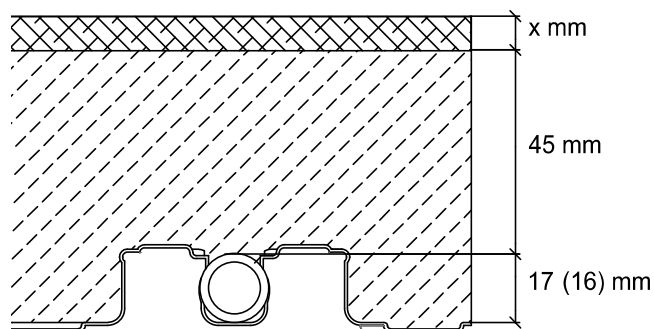
Remarks:

¹⁾ The EDP number is used only as a simplified text block (tenders). It is not the product code for ordering!

The construction kit price includes:

- Required pipe as listed in the table
- 1 m² x-net Knob film economic (SFDNSP06000)
- 4 pcs. x-net film dowels economic (SFZFDE00000)
- 1 m x-net edgeinsulation strip H 120 (SFZRS002000)
- 0.18 kg x-net screed additive H2000 (SFZEZ211000)

System cut x-net knob film economic



Shown as an example:

- x-net knob film economic (without thermal insulation)
- Cement screed CT-F4 with 45 mm pipe covering, for light payloads

x-net C12 tacker system

x-net C12 tacker folding panel 30-2 mm (SFDTSP11000)						x-net tacker roll 35-3 mm (SFDTSR17000)			
		x-net PE-Xc pipe 14 x 2 (SFRPE014...)		x-net PE-Xc pipe 16 x 2 (SFRPE016...)		x-net PE-Xc pipe 14 x 2 (SFRPE014...)		x-net PE-Xc pipe 16 x 2 (SFRPE016...)	
Installation spacing in cm	Pipe requirement in m/m ²	EDP number ¹⁾	Kit price in EUR	EDP number ¹⁾	Kit price in EUR	EDP number ¹⁾	Kit price in EUR	EDP number ¹⁾	Kit price in EUR
VA 5.5	16.7	SFBTSP1114055	43.18 / m ²	SFBTSP1116055	46.69 / m ²	SFBTSR1414055	42.70 / m ²	SFBTSR1416055	46.21 / m ²
VA 11	8.4	SFBTSP1114110	27.18 / m ²	SFBTSP1116110	28.94 / m ²	SFBTSR1414110	26.70 / m ²	SFBTSR1416110	28.46 / m ²
VA 16.5	5.6	SFBTSP1114165	21.79 / m ²	SFBTSP1116165	22.96 / m ²	SFBTSR1414165	21.31 / m ²	SFBTSR1416165	22.48 / m ²
VA 22	4.2	SFBTSP1114220	19.15 / m ²	SFBTSP1116220	20.03 / m ²	SFBTSR1414220	18.67 / m ²	SFBTSR1416220	19.55 / m ²
VA 27.5	3.3	SFBTSP1114275	17.33 / m ²	SFBTSP1116275	18.03 / m ²	SFBTSR1414275	16.85 / m ²	SFBTSR1416275	17.55 / m ²
VA 33	2.8	SFBTSP1114330	16.40 / m ²	SFBTSP1116330	16.99 / m ²	SFBTSR1414330	15.92 / m ²	SFBTSR1416330	16.51 / m ²

x-net tacker roll 30-2 mm (SFDTSR11000)						x-net tacker roll 20-2 mm (SFDTSR15000)			
		x-net PE-Xc pipe 14 x 2 (SFRPE014...)		x-net PE-Xc pipe 16 x 2 (SFRPE016...)		x-net PE-Xc pipe 14 x 2 (SFRPE014...)		x-net PE-Xc pipe 16 x 2 (SFRPE016...)	
Installation spacing in cm	Pipe requirement in m/m ²	EDP number ¹⁾	Kit price in EUR	EDP number ¹⁾	Kit price in EUR	EDP number ¹⁾	Kit price in EUR	EDP number ¹⁾	Kit price in EUR
VA 5.5	16.7	SFBTSR1114055	42.41 / m ²	SFBTSR1116055	45.92 / m ²	SFBTSR1314055	40.11 / m ²	SFBTSR1316055	43.62 / m ²
VA 11	8.4	SFBTSR1114110	26.41 / m ²	SFBTSR1116110	28.17 / m ²	SFBTSR1314110	24.11 / m ²	SFBTSR1316110	25.87 / m ²
VA 16.5	5.6	SFBTSR1114165	21.02 / m ²	SFBTSR1116165	22.19 / m ²	SFBTSR1314165	18.72 / m ²	SFBTSR1316165	19.89 / m ²
VA 22	4.2	SFBTSR1114220	18.38 / m ²	SFBTSR1116220	19.26 / m ²	SFBTSR1314220	16.08 / m ²	SFBTSR1316220	16.96 / m ²
VA 27.5	3.3	SFBTSR1114275	16.56 / m ²	SFBTSR1116275	17.26 / m ²	SFBTSR1314275	14.26 / m ²	SFBTSR1316275	14.96 / m ²
VA 33	2.8	SFBTSR1114330	15.63 / m ²	SFBTSR1116330	16.22 / m ²	SFBTSR1314330	13.33 / m ²	SFBTSR1316330	13.92 / m ²

The construction kit price includes all individual parts needed to install the heating surface, thus permitting fast and easy calculation. Additional insulation, levelling layers and floor seals etc. must be calculated separately on the basis of the particular installation situation.

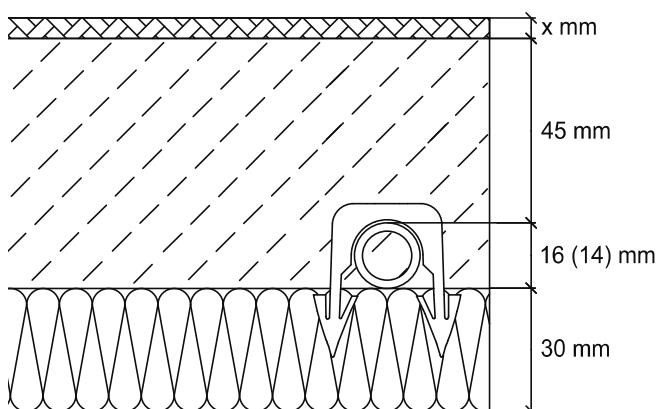
Remarks:

- ¹⁾ The EDP number is used only as a simplified text block (tenders). It is not the product code for ordering!

The construction kit price includes:

- Required pipe as listed in the table
- 1 m² x-net tacker insulation
- 2.5 pcs. x-net pipe anchors per metre of pipe (SFZRA016000)
- 1 m x-net edge insulation strip (SFZRS001000)
- 0.18 kg x-net screed additive H2000 (SFZEZ211000)

System cross-section – x-net C12 tacker system



Shown as an example:

- x-net tacker insulation 30-2 mm
- Cement screed CT-F4 with 45 mm pipe covering, for light payloads

x-net C16 clip system

On existing film covering:

x-net C16 clip system

on existing film covering, i.e. installation of x-net C16 clip panel with distance to wall

Installation distance in cm	Pipe requirement in m/m ²	x-net PE-Xc pipe 14 x 2 (SFRPE014...)		x-net PE-Xc pipe 16 x 2 (SFRPE016...)	
		EDP number ¹⁾	Construction kit price in EUR	EDP number ¹⁾	Construction kit price in EUR
VA 5.5	16.7	SFBKSP0014055	39.39 / m ²	SFBKSP0016055	42.90 / m ²
VA 11	8.4	SFBKSP0014110	23.41 / m ²	SFBKSP0016110	25.17 / m ²
VA 16.5	5.6	SFBKSP0014165	18.02 / m ²	SFBKSP0016165	19.20 / m ²
VA 22	4.2	SFBKSP0014220	15.33 / m ²	SFBKSP0016220	16.21 / m ²
VA 27.5	3.3	SFBKSP0014275	13.59 / m ²	SFBKSP0016275	14.29 / m ²
VA 33	2.8	SFBKSP0014330	12.63 / m ²	SFBKSP0016330	13.22 / m ²

The construction kit price includes all individual parts needed to install the heating surface, thus permitting fast and easy calculation. Additional insulation, film covering, edge insulation strips, levelling layers and floor seals etc. must be calculated separately on the basis of the particular installation situation.

When installing "on an existing film covering", only 90% of the room area should be covered with x-net C16 clip panels (installation with a distance to wall) and no x-net C16 clip tape applied to the outer edges of the panel area.

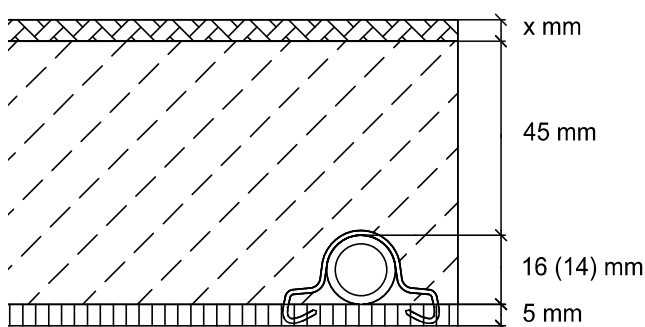
The construction kit price includes:

- Required pipe as listed in the table
- 0.9 m² x-net C16 clip panels (SFDKSP01600) per 1 m² of room area (installation with a distance to the wall)
- 2.5 pc x-net C16 clips (SFZRK160000) per 1 m of pipe
- 1.5 m of x-net C16 clip tape (SFZKB160000) per 1 m² of room area

Remarks:

- ¹⁾ The EDP number is used only as a simplified text block (tenders). It is not the product code for ordering!

System cross-section – x-net C16 clip system



Shown as an example:

- x-net C16 clip panel (without thermal insulation)
- Cement screed CT-F4 with 45 mm pipe covering, for light payloads

As insulating covering:

x-net C16 clip system
as insulating covering, i.e. installation of x-net C16 clip panel without wall distance

Installation distance in cm	Pipe requirement in m/m ²	x-net PE-Xc pipe 14 x 2 (SFRPE014...)		x-net PE-Xc pipe 16 x 2 (SFRPE016...)	
		EDP number ¹⁾	Construction kit price in EUR	EDP number ¹⁾	Construction kit price in EUR
VA 5,5	16.7	SFBKSPA014055	41.11 / m ²	SFBKSPA016055	44.61 / m ²
VA 11	8.4	SFBKSPA014110	25.13 / m ²	SFBKSPA016110	26.89 / m ²
VA 16,5	5.6	SFBKSPA014165	19.74 / m ²	SFBKSPA016165	20.91 / m ²
VA 22	4.2	SFBKSPA014220	17.04 / m ²	SFBKSPA016220	17.93 / m ²
VA 27,5	3,3	SFBKSPA014275	15.31 / m ²	SFBKSPA016275	16.00 / m ²
VA 33	2.8	SFBKSPA014330	14.35 / m ²	SFBKSPA016330	14.94 / m ²

The construction kit price includes all individual parts needed to install the heating surface, thus permitting fast and easy calculation. Additional insulation, levelling layers and floor seals etc. must be calculated separately on the basis of the particular installation situation.

When installing "as insulating covering", the entire room area must be covered with x-net C16 clip panels and x-net C16 clip tape applied to the outer edges of the panel area as a seal between the edge insulation strip and panel area.

For this type of installation, the x-net edge insulation strip H 160 mm is included in the kit.

The construction kit price includes:

- Required pipe as listed in the table
- 1.0 m² x-net C16 clip panels (SFDKSP01600) per 1 m² of room area (installation up to wall)
- 2,5 pc x-net C16 clips (SFZRK160000) per 1 m of pipe
- 2,5 m of x-net C16 clip tape (SFZKB160000) per 1 m² of room area
- 1,0 m of edge insulation strip H 160 mm (SFZRS001000) per 1 m² of room area

Remarks:

- ¹⁾ The EDP number is used only as a simplified text block (tenders). It is not the product code for ordering!

x-net C17 klett system

x-net C17 klett system

Installation distance in cm	Pipe requirement in m/m ²	x-net C17 klett roll 30-2 mm (SFDKSR11000) + x-net PE-Xc pipe 16x2 (SFRPEK16...)		x-net C17 klett roll 25-2 mm (SFDKSR12000) + x-net PE-Xc pipe 16x2 (SFRPEK16...)	
		EDP number ¹⁾	Construction kit price in EUR	EDP number ¹⁾	Construction kit price in EUR
VA 5.5	16.7	SFBLSR1116055	53.37 / m ²	SFBLSR1216055	50.79 / m ²
VA 11	8.4	SFBLSR1116110	34.28 / m ²	SFBLSR1216110	31.70 / m ²
VA 16.5	5.6	SFBLSR1116165	27.84 / m ²	SFBLSR1216165	25.26 / m ²
VA 22	4.2	SFBLSR1116220	24.62 / m ²	SFBLSR1216220	22.04 / m ²
VA 27.5	3.3	SFBLSR1116275	22.55 / m ²	SFBLSR1216275	19.97 / m ²
VA 33	2.8	SFBLSR1116330	21.40 / m ²	SFBLSR1216330	18.82 / m ²

The construction kit price includes all individual parts needed to install the heating surface, thus permitting fast and easy calculation. Additional insulation, levelling layers and floor seals etc. must be calculated separately on the basis of the particular installation situation.

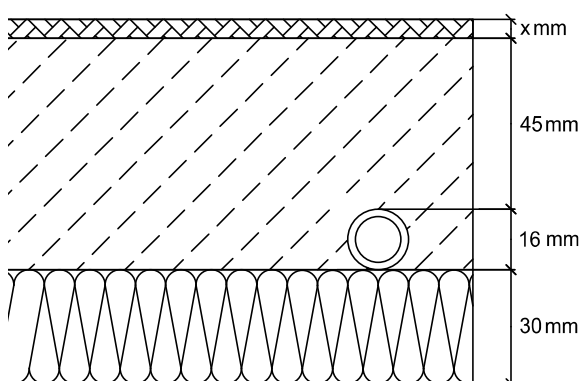
Remarks:

- ¹⁾ The EDP number is used only as a simplified text block (tenders). It is not the product code for ordering!

The kit price per m² includes:

- Required pipe as listed in the table
- 1 m² x-net klett insulation
- 1 m x-net edge insulation strip H 160 mm (SFZRS001000)
- 0.18 kg x-net screed additive H2000 (SFZEZ211000)

System cross-section – x-net C17 klett system



Shown as an example:

- x-net klett insulation 30-2 mm
- Cement screed CT-F4 with 45 mm pipe covering

x-net C13 dry system

x-net C13 drywall board 25 mm (SFDTBP01000) in combination with steel heat-conducting plate

Installation distance in cm	Pipe requirement in m/m ²	EDP number ¹⁾	Construction kit price in EUR
VA 14	6,6	SFBTBS0114140	47.02 / m ²
VA 21	4,4	SFBTBS0114210	34.24 / m ²
VA 28	3,2	SFBTBS0114280	27.27 / m ²

The construction kit price includes all individual parts needed to install the heating surface, thus permitting fast and easy calculation. Additional insulation, levelling layers and floor seals etc. must be calculated separately on the basis of the particular installation situation.

Remarks:

- ¹⁾ The EDP number is used only as a simplified text block (tenders). It is not the product code for ordering!

The construction kit price includes:

- required pipes as listed in the table (SFRPE0140...)
- 1 m² x-net C13 drywall board 25 mm
- 1 m x-net heat-conducting plate steel per metre of pipe (SFDWLB01000)
- 1 m x-net edge insulation strip (SFZRS002000)
- 1,1 m² x-net polyethylene film T 200 (SFZPF200000)

x-net drywall board 25 mm (SFDTBP01000) in combination with aluminium heat-conducting plate

Installation distance in cm	Pipe requirement in m/m ²	EDP number ¹⁾	Construction kit price in EUR
VA 14	6,6	SFBTBA0114140	50.85 / m ²
VA 21	4,4	SFBTBA0114210	36.79 / m ²
VA 28	3,2	SFBTBA0114280	29.12 / m ²

The construction kit price includes all individual parts needed to install the heating surface, thus permitting fast and easy calculation. Additional insulation, levelling layers and floor seals etc. must be calculated separately on the basis of the particular installation situation.

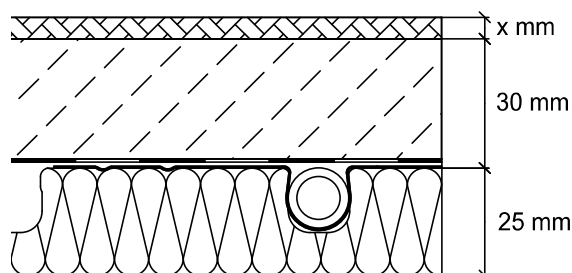
Remarks:

- ¹⁾ The EDP number is used only as a simplified text block (tenders). It is not the product code for ordering!

The construction kit price includes:

- required pipes as listed in the table (SFRPE0140...)
- 1 m² x-net drywall board 25 mm
- 1 m x-net aluminium heat conducting plate per metre of pipe (SFDWLBA1000)
- 1 m x-net edge insulation strip (SFZRS002000)
- 1,1 m² x-net polyethylene film T 200 (SFZPF200000)

System cross-section – x-net C13 dry system



Shown as an example:

- x-net C13 drywall board 25 mm
- Floating screed CAF-F5 with 30 mm pipe covering (5 mm deduction for insulation thickness < 40 mm taken into account), for light payloads

x-net C15 thin layer system

x-net C15 thin layer knob element (SFDNSP05000)

		x-net PE-Xc pipe 10 x 1.3 (SFRPE0100..)		x-net PE-Xc pipe 12 x 1.4 (SFRPE0120..)	
Installation distance in cm	Pipe requirement in m/m ²	EDP number ¹⁾	Construction kit price in EUR	EDP number ¹⁾	Construction kit price in EUR
VA 5.5	16.7	SFBDSS0110055	43.89 / m ²	SFBDSS0112055	45.73 / m ²
VA 11	8.4	SFBDSS0110110	32.36 / m ²	SFBDSS0112110	33.28 / m ²
VA 16.5	5.6	SFBDSS0110165	28.46 / m ²	SFBDSS0112165	29.08 / m ²

The construction kit price includes all individual parts needed to install the heating surface, thus permitting fast and easy calculation. Additional insulation, levelling layers and floor seals etc. must be calculated separately on the basis of the particular installation situation.

Remarks:

¹⁾ The EDP number is used only as a simplified text block (tenders).
It is not the product code for ordering!

The construction kit price includes:

- Required pipe as listed in the table
- 1 m² x-net C15 thin layer knob element (SFDNSP05000)
- 1 m x-net edge insulation strip (SFZRS003000)

x-net wall heating

x-net C21 wall heating plaster system

Installation distance in cm	Pipe requirement in m/m ²	EDP number ¹⁾	Construction kit price in EUR
VA 10	9,3	SFBWHS0114100	24.54 / m ²
VA 15	6,2	SFBWHS0114150	18.09 / m ²
VA 20	4,7	SFBWHS0114200	14.97 / m ²

The construction kit price includes all individual parts needed to install the heating surface, thus permitting fast and easy calculation. Additional insulation must be calculated separately on the basis of the particular installation situation.

Remarks:

¹⁾ The EDP number is used only as a simplified text block (tenders). It is not the product code for ordering!

The construction kit price includes:

- Required pipes as listed in the table (SHRMR0140...)
- 2.2 m x-net clamping rail 14 mm (SFZKS014000) per m² installation surface

x-net C22 wall heating dry system in combination with steel heat-conducting plate

Installation distance in cm	Pipe requirement in m/m ²	EDP number ¹⁾	Construction kit price in EUR
VA 14	6.6	SFBTBS0214140	48.55 / m ²

The construction kit price includes all individual parts needed to install the heating surface, thus permitting fast and easy calculation. Additional insulation must be calculated separately on the basis of the particular installation situation.

Remarks:

¹⁾ The EDP number is used only as a simplified text block (tenders). It is not the product code for ordering!

The construction kit price includes:

- Required pipes as listed in the table (SHRMR0140...)
- 1 m² x-net C13 drywall board 25 mm (SFDTBP01000)
- 1 m x-net steel heat-conducting plate (SFDWLB01000) per m of pipe

x-net C22 wall heating dry system in combination with aluminium heat-conducting plate

Installation distance in cm	Pipe requirement in m/m ²	EDP number ¹⁾	Construction kit price in EUR
VA 14	6.6	SFBTBA0214140	52.38 / m ²

The construction kit price includes all individual parts needed to install the heating surface, thus permitting fast and easy calculation. Additional insulation must be calculated separately on the basis of the particular installation situation.

Remarks:

¹⁾ The EDP number is used only as a simplified text block (tenders). It is not the product code for ordering!

The construction kit price includes:

- Required pipes as listed in the table (SHRMR0140...)
- 1 m² x-net drywall board 25 mm (SFDTBP01000)
- 1 m x-net aluminium heat-conducting plate (SFDWLBA1000) per metre of pipe

x-net C14 industrial panel heating

x-net C14 industrial panel heating with clamping rail						x-net C14 industrial panel heating with cable tie			
		x-net PE-Xc 20 x 2 (SFRPE0200...)		x-net PE-Xc 25 x 2.3 (SFRPE0250...)		x-net PE-Xc 20 x 2 (SFRPE0200...)		x-net PE-Xc 25 x 2.3 (SFRPE0250...)	
Installation spacing in cm	Pipe requirement in m/m ²	EDP number ¹⁾	Kit price in EUR	EDP number ¹⁾	Kit price in EUR	EDP number ¹⁾	Kit price in EUR	EDP number ¹⁾	Kit price in EUR
VA 15	6.50	SFBIKS0120150	16.66 / m ²	SFBIKS0125150	20.34 / m ²	SFBIKB0120150	14.98 / m ²	SFBIKB0125150	16.93 / m ²
VA 20	4.90	SFBIKS0120200	13.14 / m ²	SFBIKS0125150	20.34 / m ²	SFBIKB0120200	11.29 / m ²	SFBIKB0125200	12.76 / m ²
VA 30	3.30	SFBIKS0120300	9.62 / m ²	SFBIKS0125300	12.34 / m ²	SFBIKB0120300	7.60 / m ²	SFBIKB0125300	8.59 / m ²
VA 40	2.50	SFBIKS0120400	7.86 / m ²			SFBIKB0120400	5.76 / m ²		
VA 45	2.20			SFBIKS0125450	9.59 / m ²			SFBIKB0125450	5.73 / m ²

The construction kit price includes all individual parts needed to install the heating surface, thus permitting fast and easy calculation. Additional insulation, levelling layers and floor seals etc. must be calculated separately on the basis of the particular installation situation.

Remarks:

¹⁾ The EDP number is used only as a simplified text block (tenders). It is not the product code for ordering!

The construction kit price includes:

- Required pipe as listed in the table
- 1.3 pc cable ties (SFZKA000000) per metre of pipe or 0.8 m clamping rail (SFZKS020000/SFZKS025000) with 3 pc retaining clips (SFZHN000000) for the clamping rail per m² of installation surface



x-change
heat pumps



x-buffer
heat storage



x-center
control



x-net panel heating/
cooling



therm-x2
steel panel radiators



x-well residential
ventilation



Design radiators



Heating panel



Convector



Kermi Decor



Wet floor system



Shower enclosure

Healthy, comfortable heat and unlimited showering comfort with the comprehensive Kermi thermal comfort and shower design ranges.

You can find additional information on www.kermi.com



Thermal comfort | Shower design

Kermi GmbH
Pankofen-Bahnhof 1
D-94447 Plattling
GERMANY

Tel. +49 9931 501-0
Fax +49 9931 3075
www.kermi.com
info@kermi.com

A company of Arbonia Group
ARBONIA 