

# ECOLine

Installation  
cabinets  
for building  
in manifolds

Quality and reliability

EN 2015



TECHNOLOGY OF SUCCESS



ISO 9001

# ECO Box - SNE surface-mounted cabinets

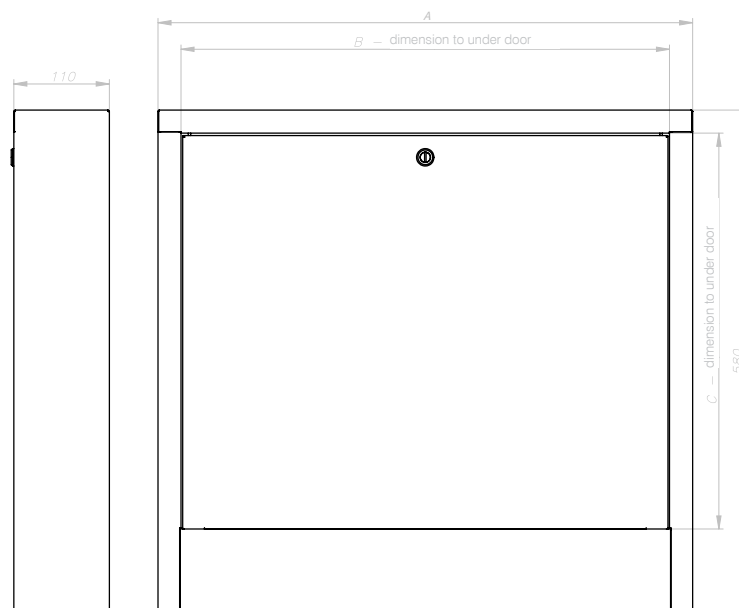
The SNE surface-mounted cabinets are intended for surface mounting of manifolds together with their fittings, such as connection sets, release valves, vents etc.

- Cabinets are made of galvanized steel sheet, powder-coated, color RAL 9016 (white).
- The back side has two mounting holes  $\varnothing 6$  mm and two mounting guides to adjust the spacing of manifolds.
- Each guide has two square-head bolts M6x18 with washers and nuts.
- Cabinets' doors have coin or screw operated locks.
- A removable lower cover makes the assembly of the manifold inside the cabinet easier.

1. SNE surface-mounted cabinet.



Type of cabinet	External dimensions [mm]			Door dimensions [mm]	
	width	height	depth	width	height
SNE-0	385	580	110	332	454
SNE-1	485	580	110	432	454
SNE-2	615	580	110	562	454
SNE-3	760	580	110	707	454
SNE-4	845	580	110	792	454

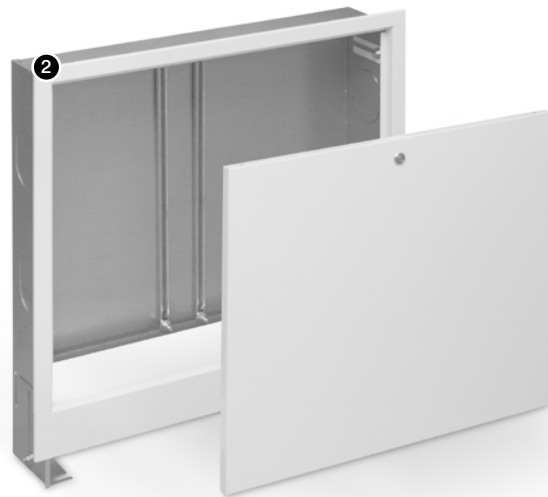


## ECO Box - SPE flush-mounted cabinets

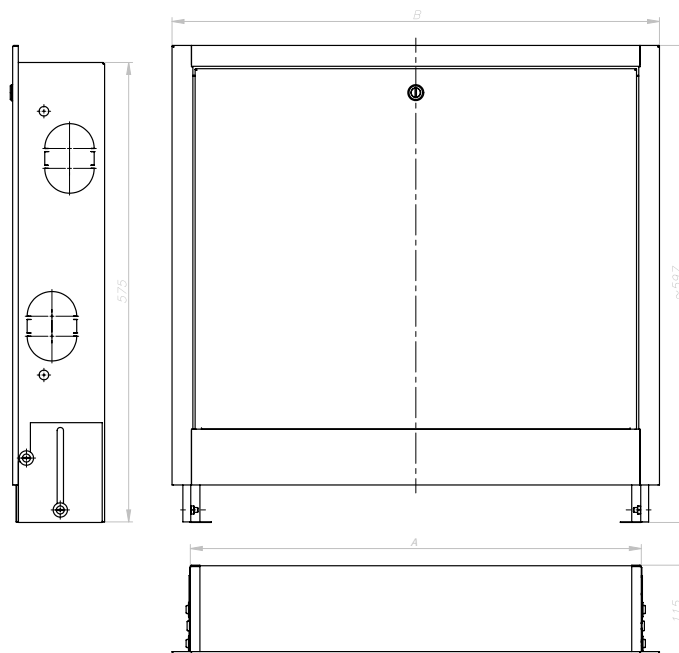
The **SPE flush-mounted cabinets** are intended for flush mounting of manifolds together with their fittings, such as connection sets, release valves, vents etc.

- Cabinets are made of galvanized steel sheet, powder-coated, color RAL 9016 (white).
- The back side has two mounting guides to adjust the spacing of manifolds.
- Each guide has two square-head bolts M6x18 with washers and nuts.
- Cabinets' doors have coin or screw operated locks.
- Side walls have oval openings with covers 62x87 mm for connecting the manifold supply on the side.
- Extendable feet allow to adjust the height of the cabinet mounting above the surface (+/- 90 mm).
- An adjustable front frame allows to adjust the depth of the cabinet mounting (+/- 60 mm).

2. SPE flush-mounted cabinet.



Type of cabinet	External dimensions [mm]			Door dimensions [mm]	
	width	height	depth	width	height
SPE-0	335	575-665	110-170	328	454
SPE-1	435	575-665	110-170	428	454
SPE-2	565	575-665	110-170	558	454
SPE-3	715	575-665	110-170	708	454
SPE-4	795	575-665	110-170	788	454

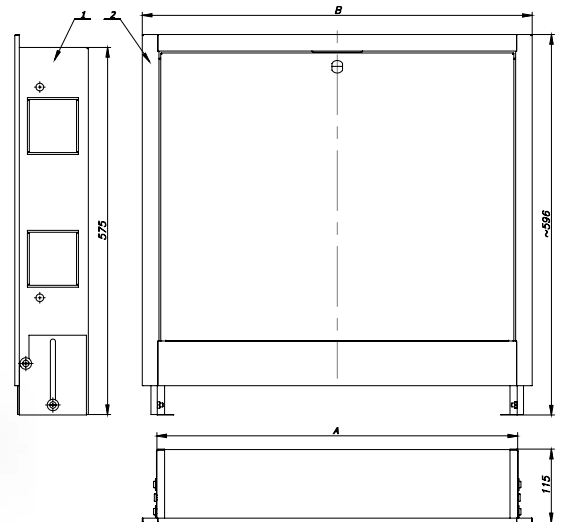


# Eco Cabinet - SPEE flush-mounted cabinets

The **SPEE flush-mounted cabinets** are intended for flush mounting of manifolds together with their fittings, such as connection sets, release valves, vents etc.

- Cabinets are made of galvanized steel sheet, with powder-coated front surfaces, color RAL 9016 (white).
- The back side has two mounting guides to adjust the spacing of manifolds.
- Each guide has two square-head bolts M6x18 with washers and nuts.
- Cabinets' doors have plastic locks for self-assembly.
- Side walls have square openings with covers 80x89 mm for connecting the manifold supply on the side.

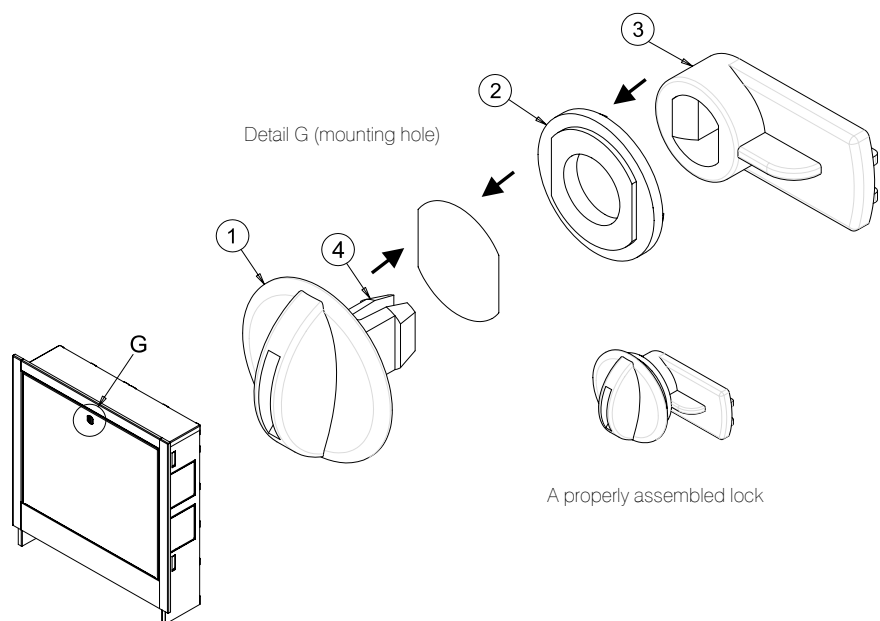
3. SPEE flush-mounted cabinet.



Type of cabinet	External dimensions [mm]			Door dimensions [mm]	
	width	height	depth	width	height
SPEE-1	335	580	110	332	454
SPEE-2	435	580	110	432	454
SPEE-3	565	580	110	562	454
SPEE-4	715	580	110	707	454
SPEE-5	795	580	110	792	454
SPEE-6	965	580	110	792	454

## Assembly instructions for lock C566.

1. Slide Part 2 into the mounting hole in the door.
2. Put Part 1 into Part 2.
3. Slide Part 3 into Part 1 until it locks (clicks) on Part 4.
4. Check if the assembly is correct by trying to pull out Part 1.



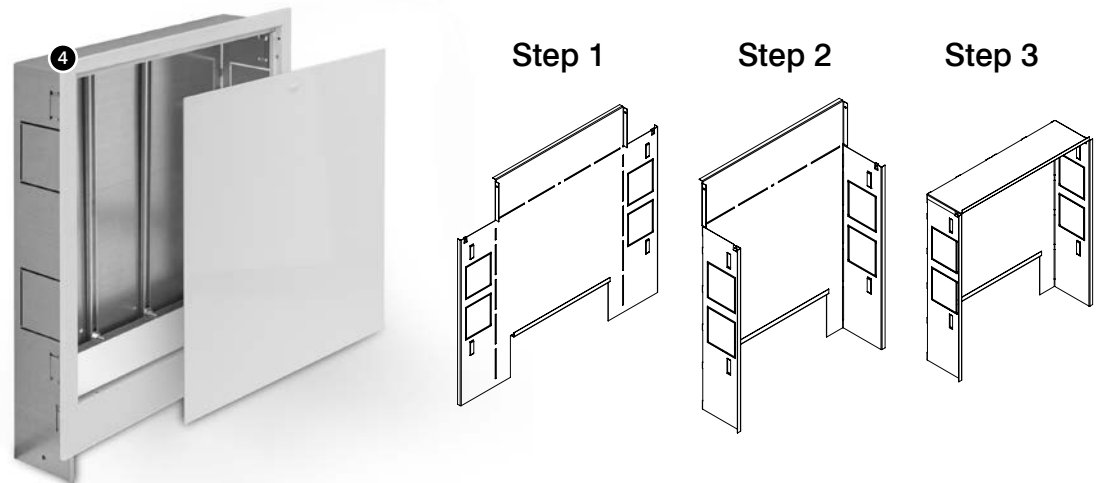
# Eco Compact Cabinet - SK flush-mounted cabinets

The SK flush-mounted cabinets are intended for flush mounting of manifolds together with their fittings, such as connection sets, release valves, vents etc. They are a version of the SPEE cabinets for self-assembly.

## The advantages of built-up cabinets:

- A new product of the same standard and functionality as ECO Cabinets have,
- Cost of transport lower by about -30% (pallet amount 50% higher — saving storage places),
- Cabinet's body in form of a monolith for assembly (equipped with special catches making the assembly easier),
- Easy assembly and simple mounting of a cabinet.

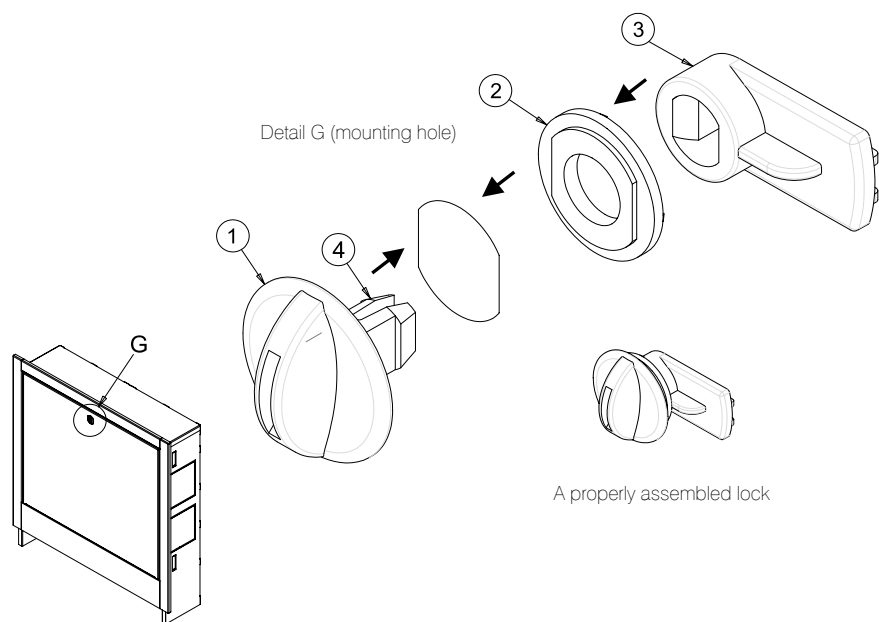
4. SK flush-mounted cabinet.



Type of cabinet	External dimensions [mm]			Door dimensions [mm]	
	width	height	depth	width	height
SK-1	335	580	110	332	454
SK-2	435	580	110	432	454
SK-3	565	580	110	562	454
SK-4	715	580	110	707	454
SK-5	795	580	110	792	454
SK-6	965	580	110	792	454

## Assembly instructions for lock C566.

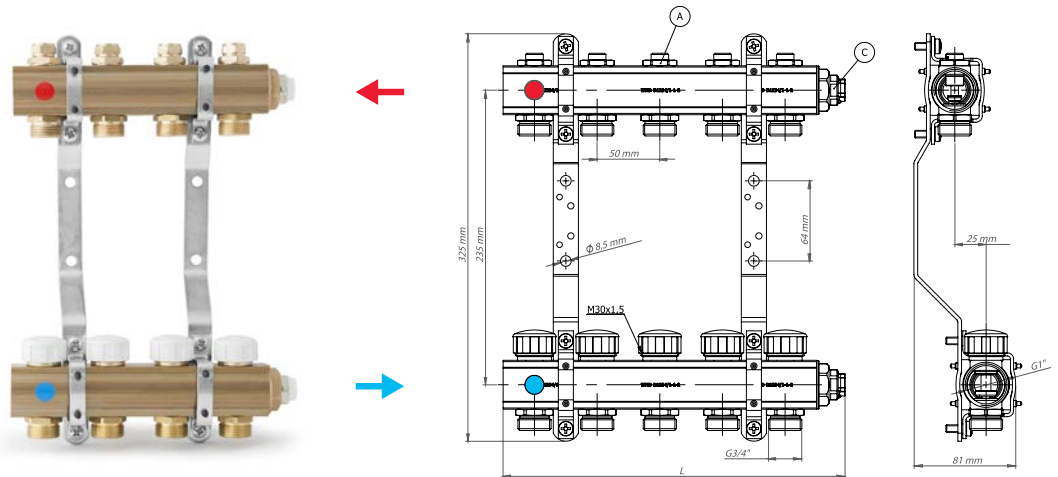
1. Slide Part 2 into the mounting hole in the door.
2. Put Part 1 into Part 2.
3. Slide Part 3 into Part 1 until it locks (clicks) on Part 4.
4. Check if the assembly is correct by trying to pull out Part 1.



# ECOLine manifolds

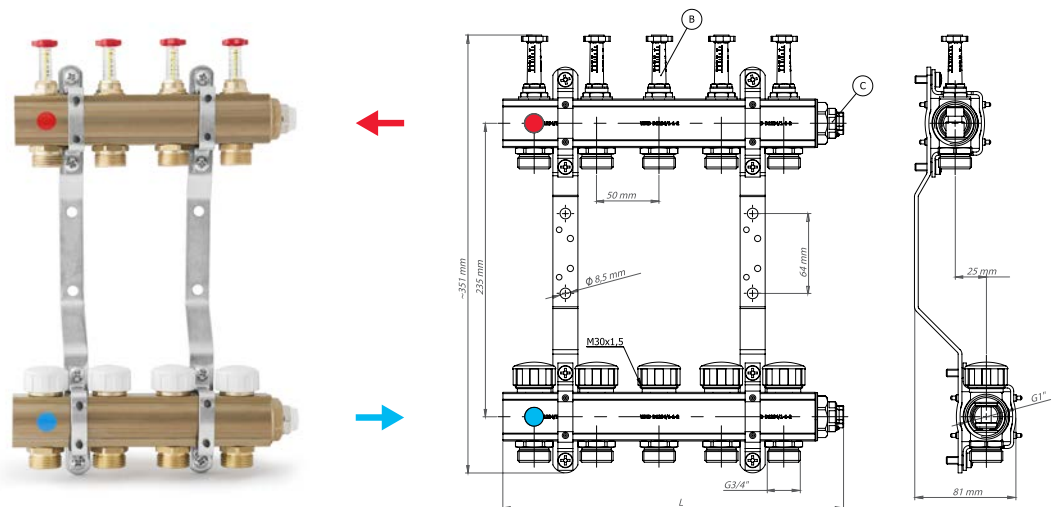
## Brass manifold on a 1" profile for underfloor heating with valves for servomotors

- collecting pipe on a 1" brass profile
- outlets for each heating circuit GZ 3/4"
- compatible with screw connections EUROKONUS
- outlets for individual circuits with 50mm spacing in between
- lower beam with thermostatic stop valve for servomotors
- compatible with electric servomotor by means of M30x1.5 thread
- upper beam with valves with presetting
- manifold connection GW 1"
- manual venting
- handles with holes to be mounted on the cabinets



## Brass manifold on a 1" profile for underfloor heating with valves for servomotors

- collecting pipe on a 1" brass profile
- outlets for each heating circuit GZ 3/4"
- compatible with screw connections EUROKONUS
- outlets for individual circuits with 50mm spacing in between
- lower beam with thermostatic stop valve for servomotors
- compatible with electric servomotor by means of M30x1.5 thread
- upper beam with flowmeters with presetting
- manifold connection GW 1"
- manual venting
- handles with holes to be mounted on the cabinets



No.	2	3	4	5	6	7	8	9	10	11	12
L[mm]	148	198	248	298	348	398	448	498	548	598	648
Code A	E7102A	E7103A	E7104A	E7105A	E7106A	E7107A	E7108A	E7109A	E7110A	E7111A	E7112A
Code B	E7502A	E7503A	E7504A	E7505A	E7506A	E7507A	E7508A	E7509A	E7510A	E7511A	E7512A