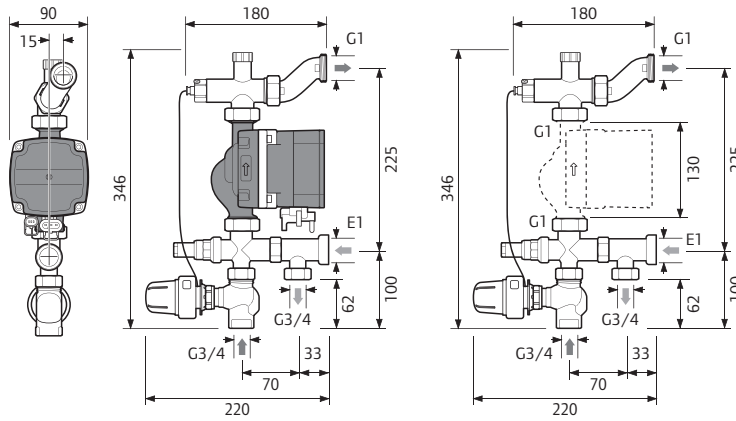


## Uponor Smart Pumpgroup



$Q_{max} = 7 \text{ kW}$



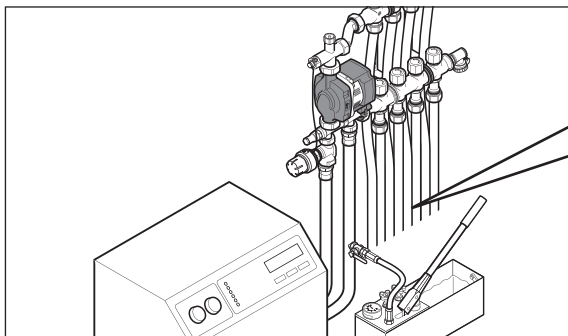
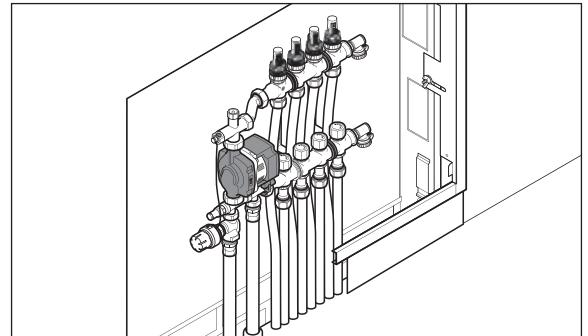
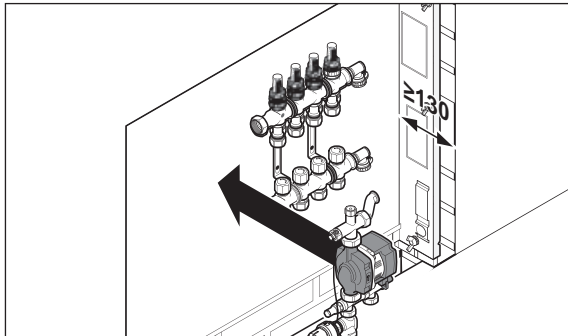
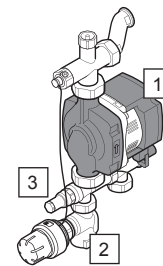
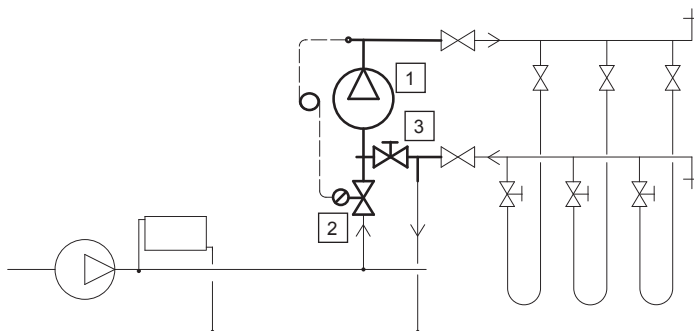
$\theta_{sec} = 15 - 55 \text{ }^\circ\text{C}$



$kvs = 1,2 \text{ m}^3/\text{h}$



$P_{max} = 6 \text{ bar}$

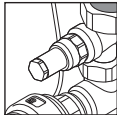
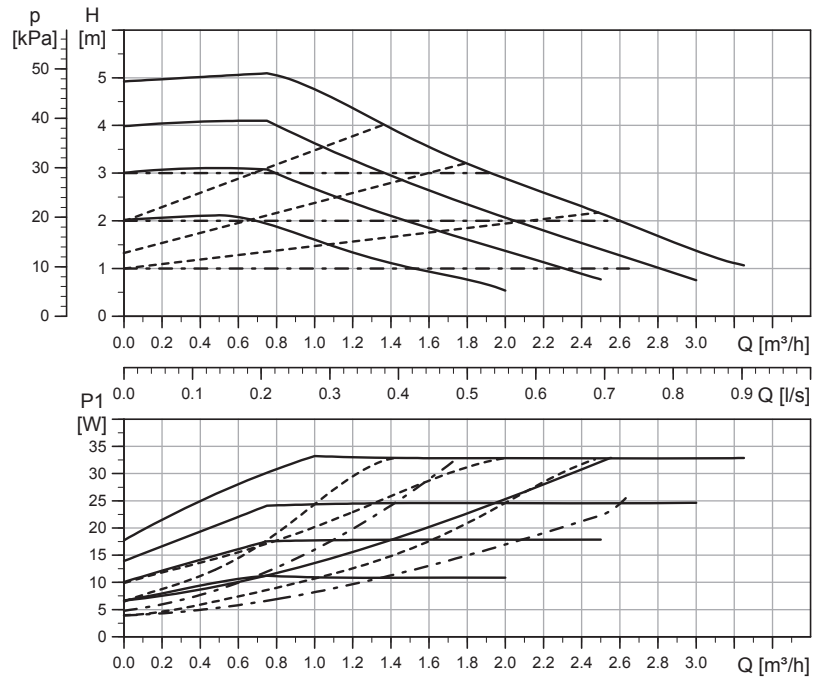
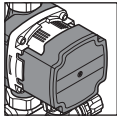


2 h



$P = 4 - 6 \text{ bar}$





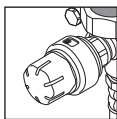
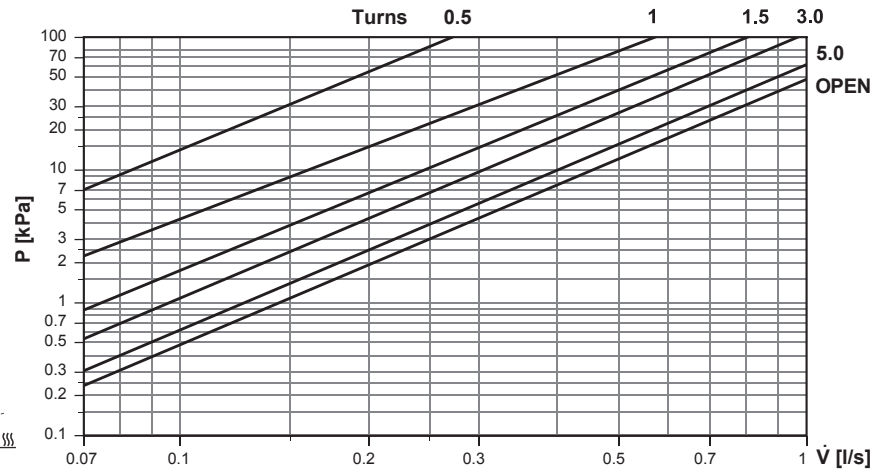
**A**  
OPEN = Standard



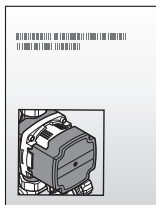
**B**  
CLOSE = Flush



100%  
CLOSE  
0



Scale	1	2	3	4	5	6	7	8	9
$\theta_v$ [ $^{\circ}C$ ]	20	25	30	34	38	42	46	50	55



[www.grundfos.com](http://www.grundfos.com)

Uponor Corporation

1087145 04\_2016  
Production: Uponor, ME

Uponor reserves the right to make changes, without prior notification, to the specification of incorporated components in line with its policy of continuous improvement and development.

[www.uponor.com](http://www.uponor.com)