

FLOOD LIGHT WITH BRACKET

INSTALLATION GUIDE

READ ALL SAFETY INFORMATION AND INSTALLATION INSTRUCTIONS BEFORE YOU BEGIN INSTALLING THE FAN AND SAVE INSTRUCTIONS.

I SAFETY INSTRUCTIONS

- The installation should be carried out by a qualified electrician in compliance with the wiring regulations.
- Prior to installation carry out the necessary risk assessment considering the people who could be at risk, the level of risk and the precautions required to control the risk.
- Ensure that the circuit supply is isolated either by the circuit supply fuse being removed or the applicable circuit breaker being turned off before installation or any maintenance.
- Check the total load on the circuit including the luminaire does not exceed the rating of the circuit cable fuse or circuit breaker.
- If the fitting incorporates control gear, ensure careful sizing to avoid instances of nuisance tripping of the protective device used in the installation.
- Follow the provided installation instructions, using the fixings supplied or recommended.

II INSTALLATION INSTRUCTIONS

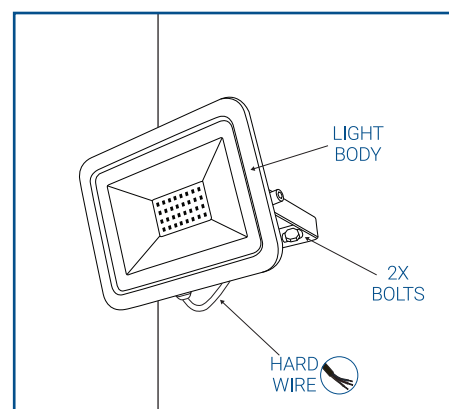
NOTE

IMPORTANT: Ensure that ALL electrical connections are tight with no loose strands, including factory made connections.

1. Ensure there is adequate free air circulation of at least 3.93" around the fitting. All fittings run hot. It is the installer's responsibility to consider any fire risk and take appropriate precautions.
2. The nearest illuminated surface must be at least 19.69" from the front of the fitting.
3. Check for concealed cables before drilling any fixing holes.
4. Remove the bracket, pulling out the two bolts on both sides.
5. Fix the bracket to a wall or similar hard surface.
6. Fix the body to the bracket.

III MAINTENANCE

1. Should the fitting fail, allow it to cool before removing.
2. This product is supplied ready to use and the LED chip inside is non-replaceable.
3. Please replace the fitting if it is damaged or the front glass is broken.
4. If the glass is dirty use only a cloth and water (no alcohol or solvents).
5. This fitting should not be modified, any modifications will void the warranty.
6. The manufacturer shall not be held responsible for any damage caused by improper mounting or installation procedures which are not in accordance with the instructions.
7. When this fitting comes to the end of its life or you choose to replace it, please do not dispose it with your normal household waste. Please recycle if recycling facilities exist in your location, check with your local authority or retailer for suitable options.



NOTE

This is an IP65 rated product. Do not break any seals as this will affect its water and dust resistant rating.