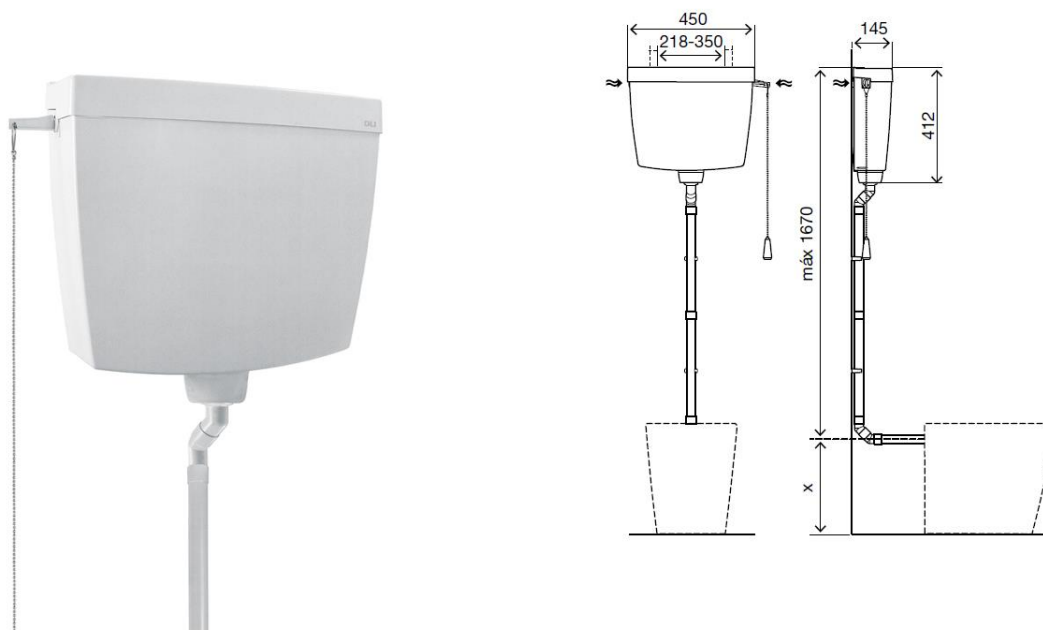


# Technical Sheet

Olistyle



## Product Identification

440161

- Olistyle

## Definition and Application

- OLI exposed cistern to high/medium/low level installation

## Technical Features

- Single flush (start/stop) 6 litres (adjustable to 9 litres in the inlet valve)
- Actuation in the push button or pulling a chain
- Certified according to CE EN 14055 CL1
- Water supply connection – Lateral and back (a bended connection pipe or flexible hose it's needed)
- 145mm thickness
- White PS material
- Adjustable wall fixation system

### **Accessories**

- 4 Modular flush pipes Ø32
- 3 Outlet bend Ø32
- 1 Outlet bend Ø50
- 1 Seal for flush pipe Ø32
- 1 Rubber seal
- 1 Washer
- 2 Suspension fasteners
- 3 Bushing 6mm

Millimetres measures

- 3 Screws Ø4,2X25
- 1 Nut 3/8

## Warranty

For the terms of warranty please visit [www.oli-world.com](http://www.oli-world.com)

## Observations

There are available similar products. For more information please consult our Sanitary Installation Systems catalogue or our site [www.oli-world.com](http://www.oli-world.com)