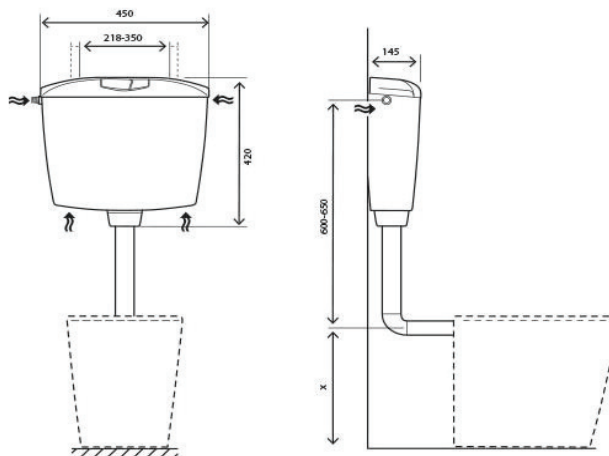


Technical Sheet

ONDA



Product Identification

CA04000407581

- ONDA DD

Definition and Application

- Exposed cistern to medium/low level installation

Technical Features

- Dual flush 6/3 litres (adjustable to 9/4 litres in the outlet valve)
- Silent inlet valve (NF Class I)
- Acoustic and anti-condensation internal lining
- Certified according to CE EN 14055 CL1 and DIN
- 145mm thickness
- Water supply connection – Lateral and back (a bended connection pipe or flexible hose it's needed)
- "A" class for the water efficiency in compliance with the ANQIP authority requirements
- White PS material
- Adjustable wall fixation system

Accessories

- 1 Flush pipe Ø50/40
- 1 Seal for flush pipe Ø40
- 1 Rubber seal
- 1 Washer
- 2 Suspension fasteners
- 2 Bushing 6mm
- 2 Screws Ø4,2X25
- 1 Nut 3/8

Millimetres measures

Warranty

For the terms of warranty please visit www.romstal.ro

Observations

There are available similar products. For more information please consult our web site www.romstal.ro