

## HL90.2

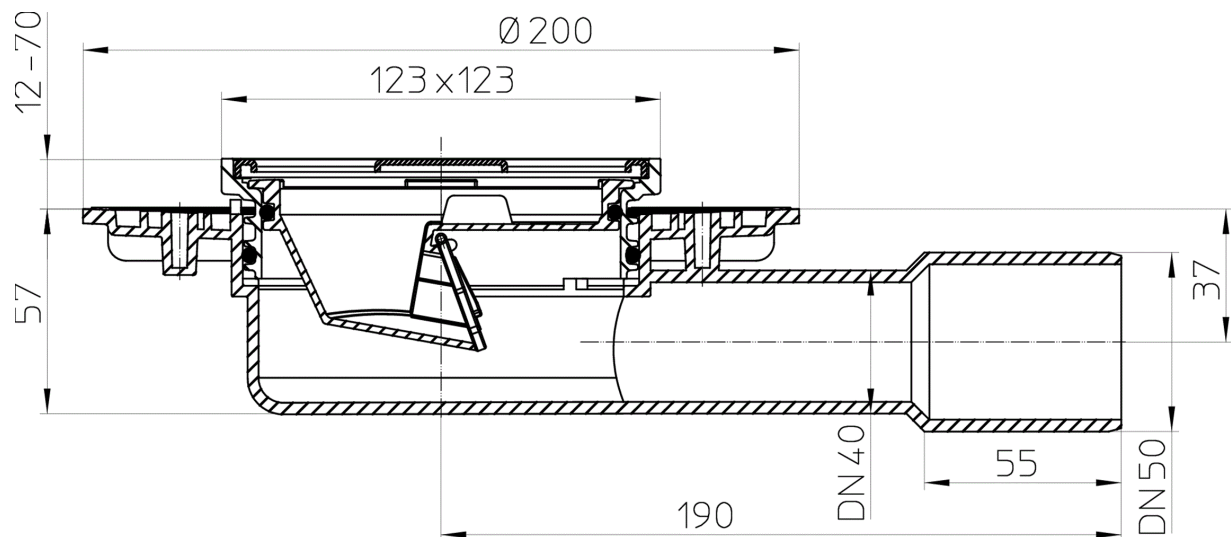
balcony and terrace drain DN40/50 horizontal with frost-proof flap seal,  
123x123mm/115x115mm



balcony and terrace drain DN40/50 horizontal with  
flange, frost-and drought-proof flap seal, cut-to-size  
plastic grate frame 10 - 70 mm / 123 x 123 mm, stainless  
steel grate 115 x 115 mm. Comes with lot cover.



### techn. drawing



### MAIN DATA

#### spare parts



**HL090.4E**  
flap cartridge



**HL37N**  
grating d 110mm/123x123mm/115x115mm. Comes with lot cover



**HL037N.2E**  
grate frame d 110mm/90mm/123x123mm incl. O-ring



**HL01067D**  
O-ring 92x4mm



**HL037N.OE**  
supporting frame/cover 123x123mm



**HL037Pr.1E**  
Stainless steel grate 115x115mm



**HL90K**  
balcony and terrace drain body DN40/50 horizontal

#### attachment



**HL180**  
gravel guard d 110mm



**HL181**  
Flat leaf catcher for balcony or terrasse drains of series HL90, HL90 and HL310NK, HL510NK



**HL619**  
fixing brackets

#### Extensions



**HL340N**  
extension 80mm/d 110mm incl. O-ring



**HL85N**  
extension with flange incl. O-ring



**HL85NC**  
extension d 110mm CeraDrain with polymer concrete collar incl. O-ring



**HL85NH**  
extension incl. O-ring with bitumen membrane

#### Waterproofing Kits



**HL83**  
waterproofing kit with EPDM collar 400x400mm



**HL83.0**  
waterproofing kit



**HL83.H**  
waterproofing kit with bitumen membrane d 400mm



**HL83.M**  
Sealing kit with laminated fleece



**HL83.P**  
waterproofing kit with flange PVC d 287mm



**HL83.PP**  
Sealing set with PP flange

#### TECHNICAL DATA

<b>material</b>	PE	<b>installation height</b>	57 mm
<b>dimension</b>	DN40/50	<b>grate frame</b>	12-70mm/123x123mm
<b>capacity</b>	0,50 l/sec	<b>grate</b>	Edelstahl 115x115mm

<b>weight</b>	0,425	<b>load class</b>	K - 300 kg
<b>EAN</b>	9003076016853	<b>inlet</b>	
		<b>standards</b>	

#### PACKAGING DATA

##### carton

<b>unit</b>	1 [pcs.]
<b>weight</b>	0,612 [kg]
<b>EAN/pack.</b>	9003076016853
<b>height/width/depth</b>	155/225/295 [mm]
<b>volume</b>	0,010288125 [m <sup>3</sup> ]

##### single use pallet

<b>unit</b>	143 [pcs.]
<b>weight</b>	98 [kg]
<b>EAN/pack.</b>	
<b>height/width/depth</b>	1900/800/1200 [mm]
<b>volume</b>	1,824 [m <sup>3</sup> ]

#### DOWNLOADS

<b>Foto Print</b>	<b>HL90_pr.tif</b>	max.
<b>Foto Web</b>	<b>HL90_B.jpg</b>	640x480/300dpi
<b>Foto Symbol</b>	<b>HL90_gr.jpg</b>	150x150/72dpi
<b>techn. drawing</b>	<b>HL90_2_b.pdf</b>	pdf
<b>CAD</b>	<b>HL90_2_c.dxf</b>	dxf