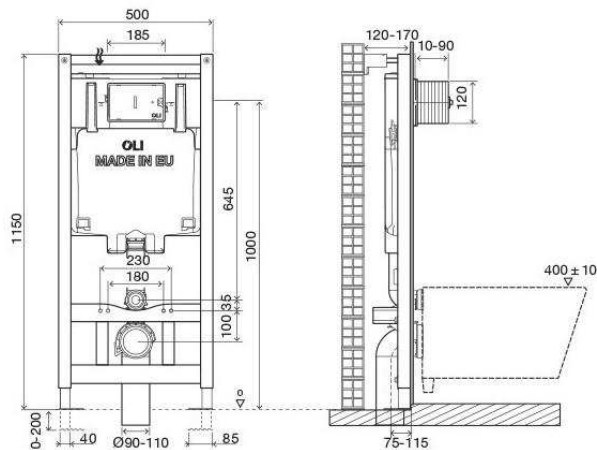


Technical Sheet



Product Identification

- OLI80 Mechanic Sanitarblock

Definition and Application

- Preassembled structure for installation in front of masonry wall and finish in light wall, plasterboard wall and technical support rail for light wall
- Compatible with all wall-hung WC pans

Technical Features

Structure

- In painted tubular corrosion resistant
- Easy and quick installation with Fast Fit system
- Minimum thickness of 120mm and adjustable up to 170mm
- Height regulation of the adjustable floor brackets (0-200 mm);
- Depth adjustable outlet bend
- Tested for 400kg load

Technical Sheet

Cistern

- Dual flush of 6/3 in-wall cistern compatible with either dual or single flush actuators
- Adjustable flush volumes
- 80mm thickness
- Mechanic actuation
- Working pressure from 0,1 to 16 bar
- Resistance to atmospheric humidity (Hr <90%).
- Polypropylene (PP) cistern highly resistant and inalterable to thermal stress
- Other versions compliant with: DIN/BELGAQUA standards
- EN 14055 marking CL1
- Silent Valve Class 1 NF certified
- Supplied with anti-condensation lining

Accessories

- 1 Discharge pipe \varnothing 90 x 360
- 1 Seal for discharge pipe \varnothing 125
- 1 Connecting pipe \varnothing 45 x 180
- 1 Pan rubber seal \varnothing 45
- 1 Protective box
- 1 G 1/2" stop valve
- 1 Protection sponge for the stop valve
- 1 Outlet bend \varnothing 90 / 90 L230
- 1 Adaptor \varnothing 90/110
- 1 Protection pipe \varnothing 90
- 1 Protection pipe \varnothing 45

Fixing accessories for wall structure:

- 4 Galvanized screws M8x60
- 4 Galvanized washers M8 DIN 9021
- 4 Bushing for metal structure
- 2 Fast Fit fixing

For fixing hung wc on the structure:

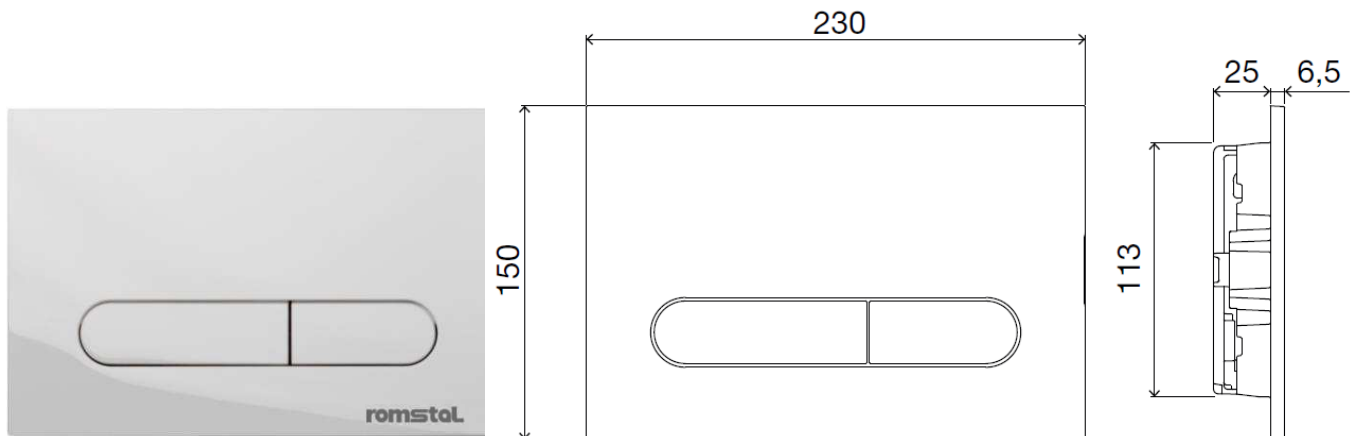
- 2 Threaded rods M12
- 2 Nuts M12
- 2 Protection for threaded rod
- 2 Protection cover
- 2 Toilet centring washer
- 2 Washers Zn \varnothing 34

Warranty

- Ten (10) years warranty according to the general selling terms, starting from the purchase date of the product.
- If the product is not correctly installed the warranty is not valid

Technical Sheet

Bound Romstal logo Control Plate



Millimetres measures

Product Identification

- BOUND white
- BOUND polished chrome

Definition and Application

- Mechanic control plate

Technical Features

- Dual flush
- Mechanic actuation
- Dimensions: 230 X 150 mm
- Actuation force <20N
- 6,5 mm thickness
- Opening and closing with "click" system

Compatible Cisterns

- OLI80

Accessories

- 2 Fast Fit actuation screws;
 - 2 Fast Fix fixation screws
-