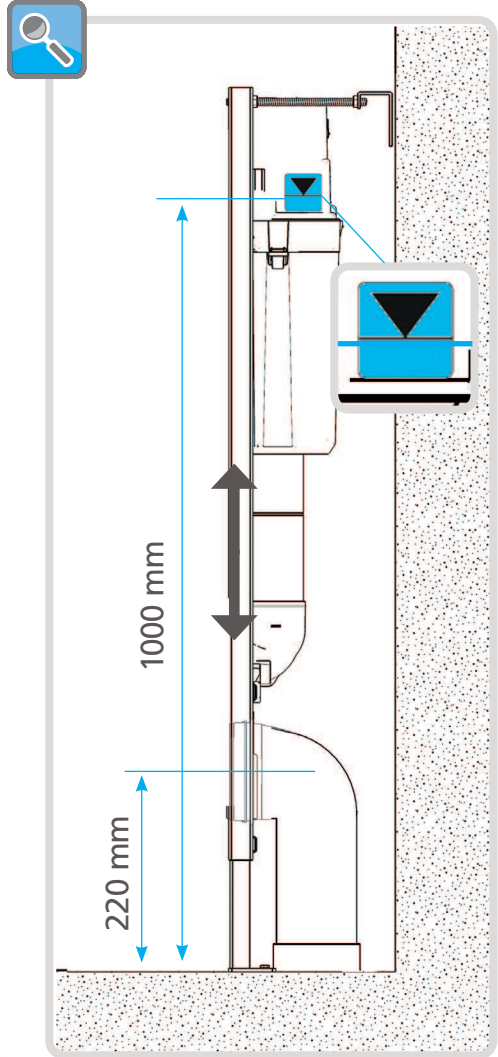
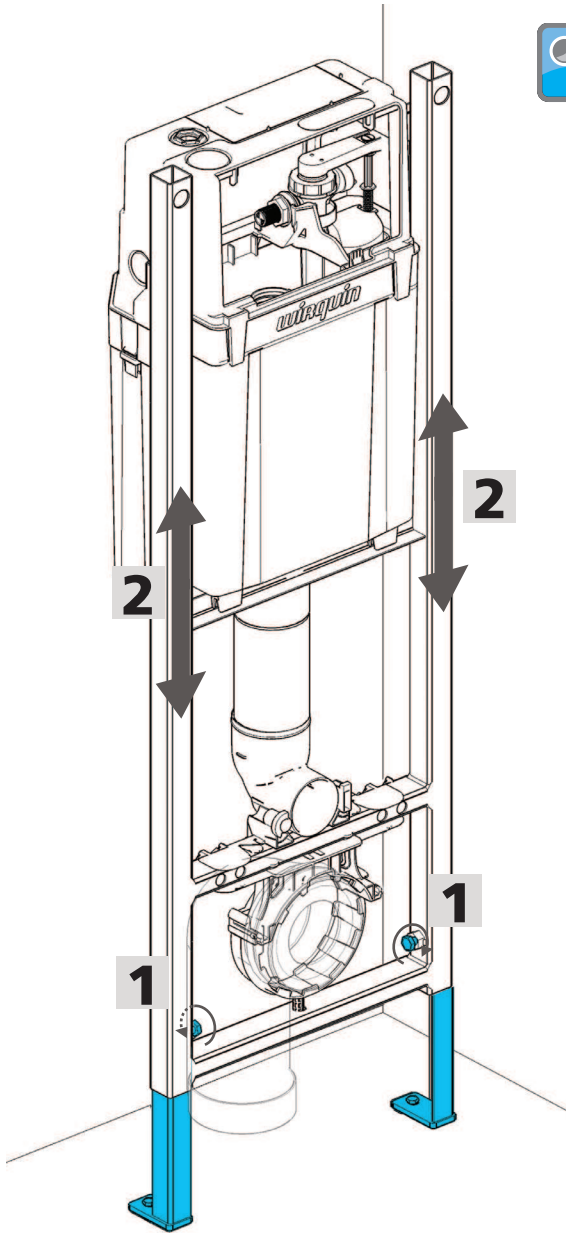
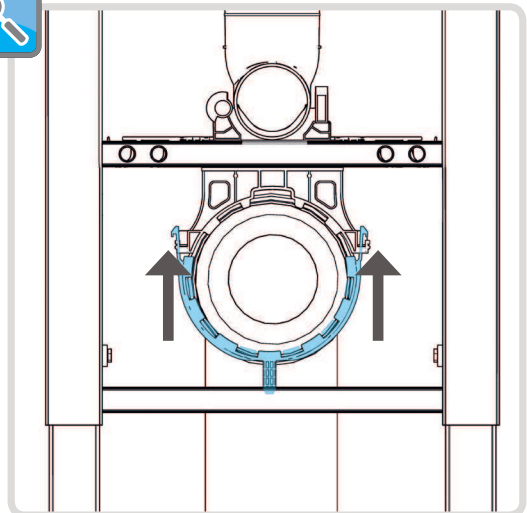
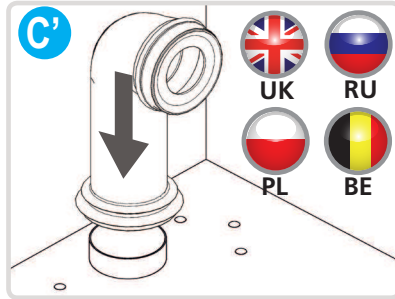
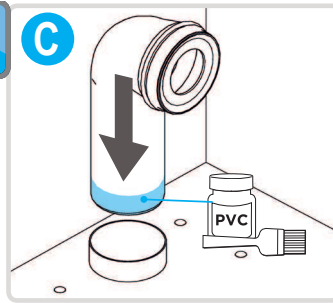
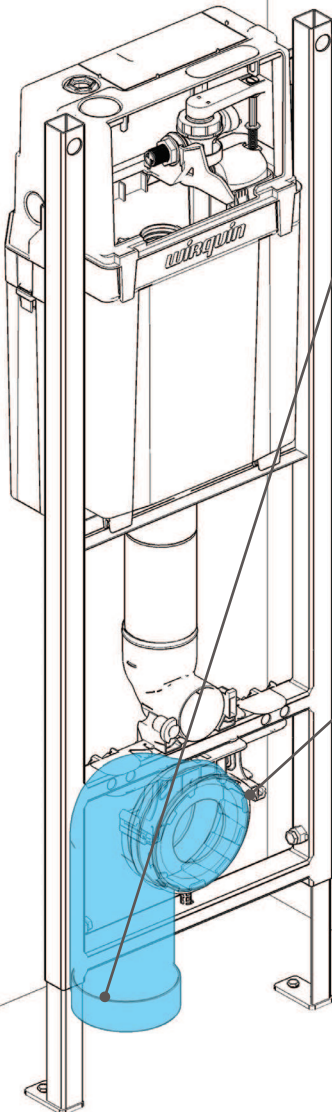
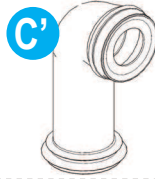
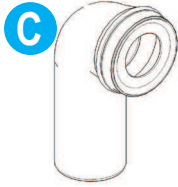


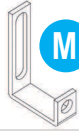
1



2



3



M x2

R x2



O x4

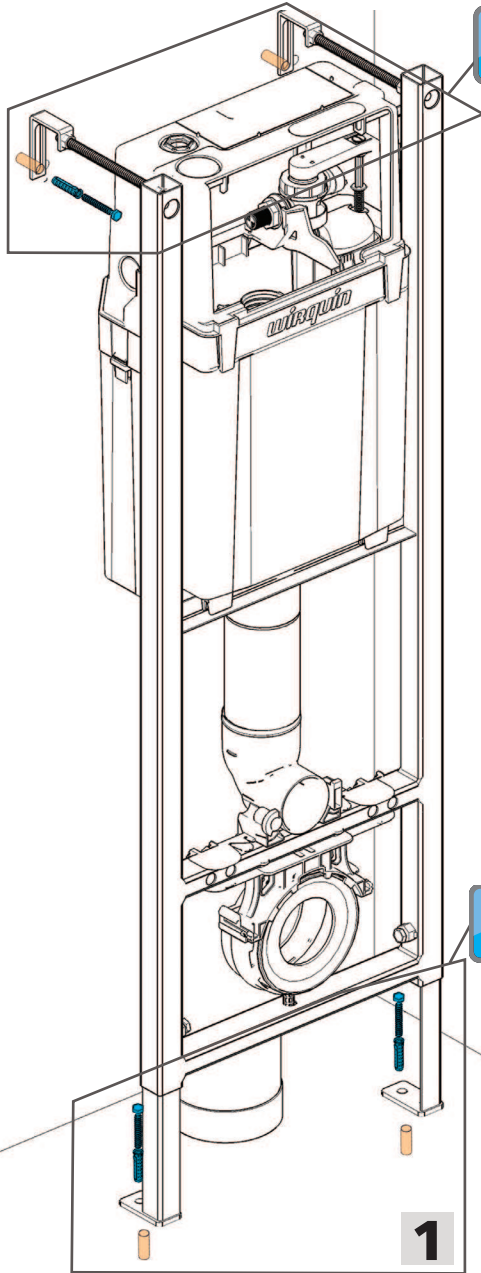


N x4



P x2

Q x6

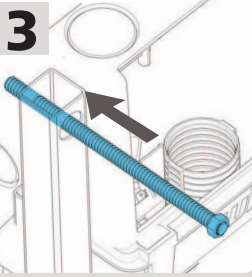


M N O P Q R

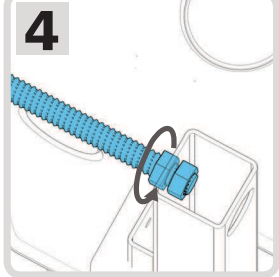
2



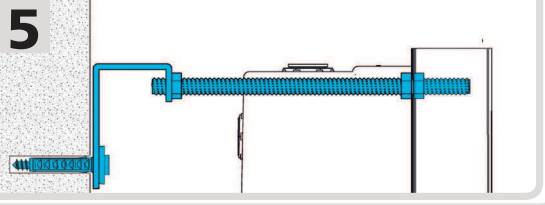
3



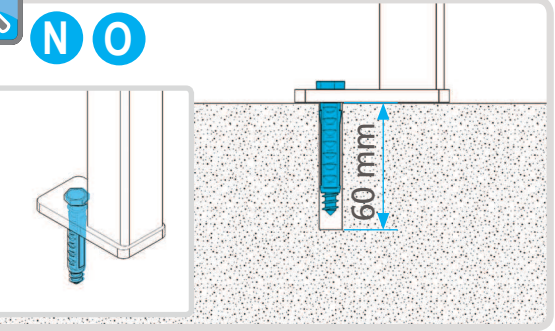
4



5



N O

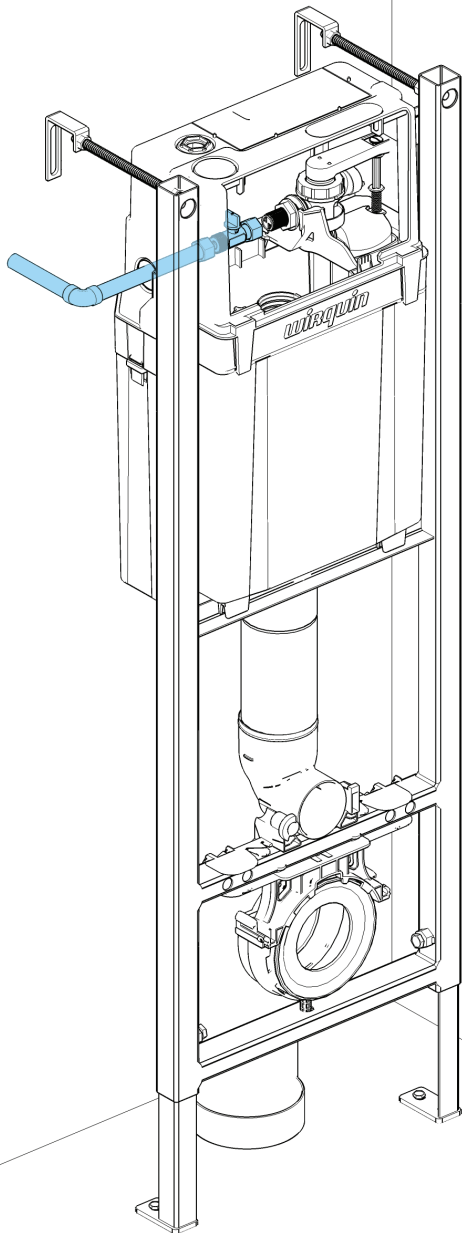


4

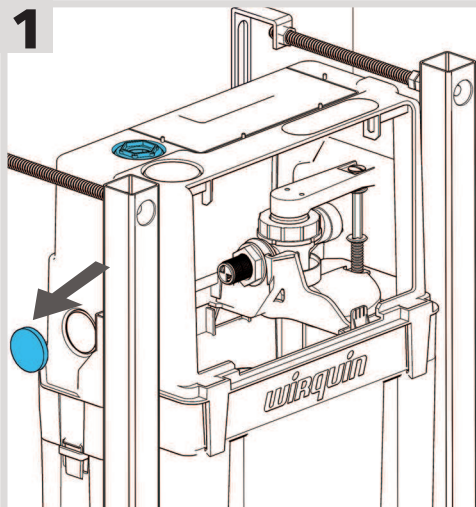
X x1



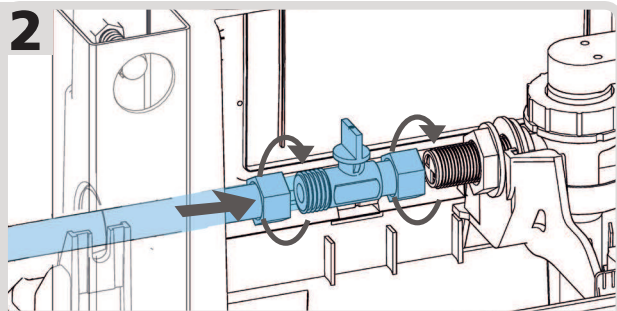
Y x2



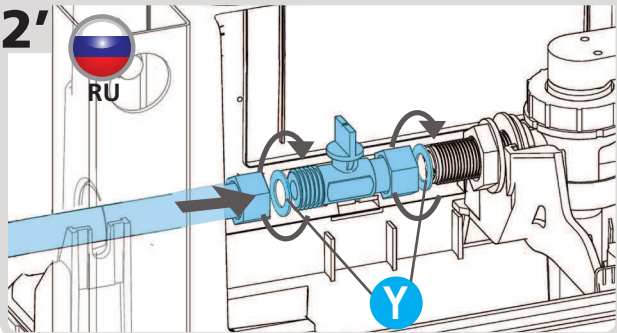
1



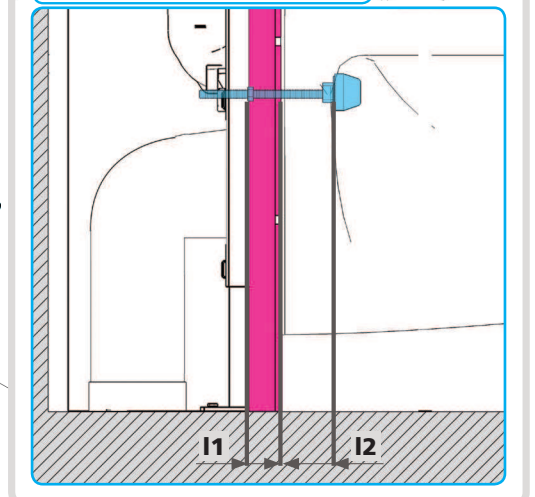
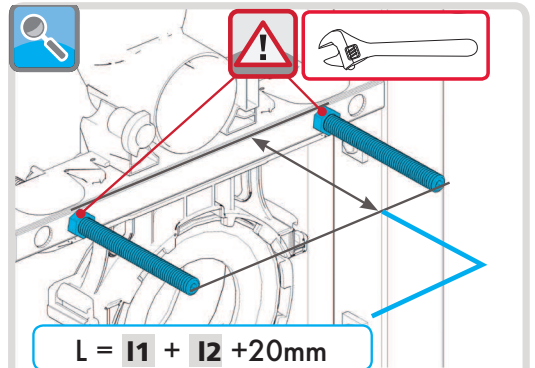
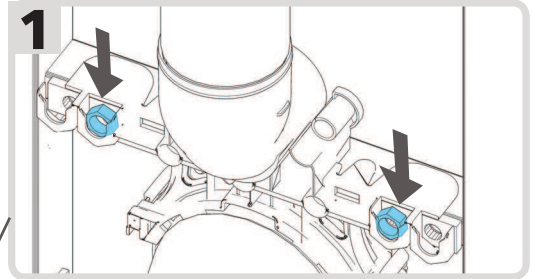
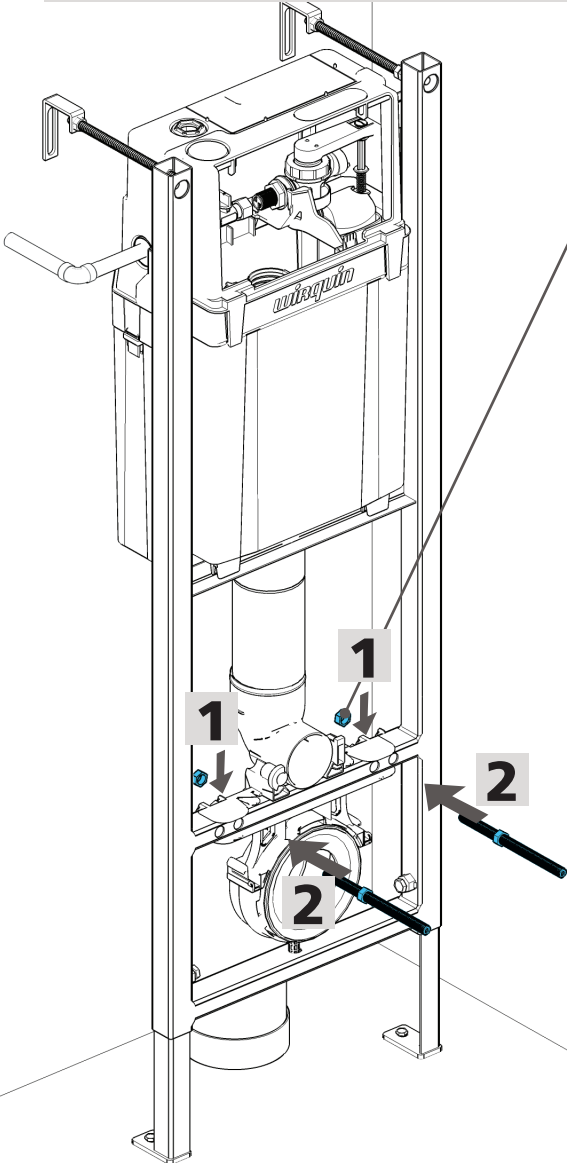
2



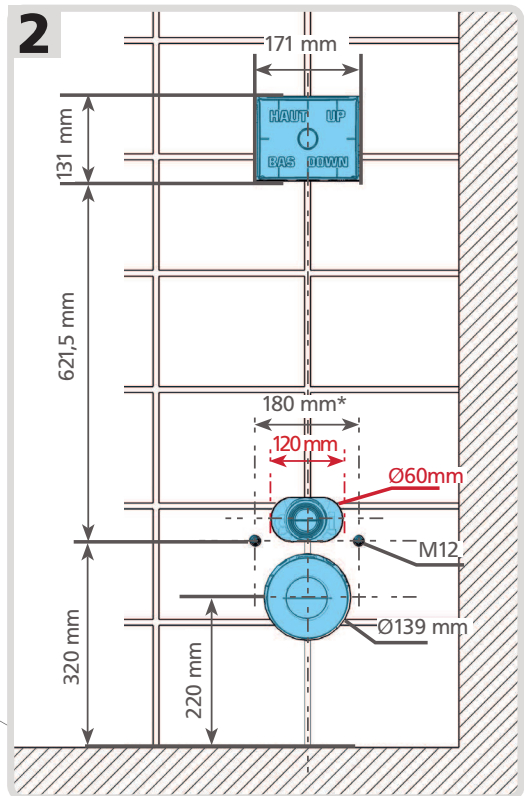
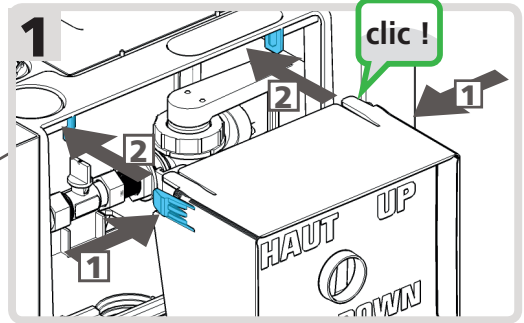
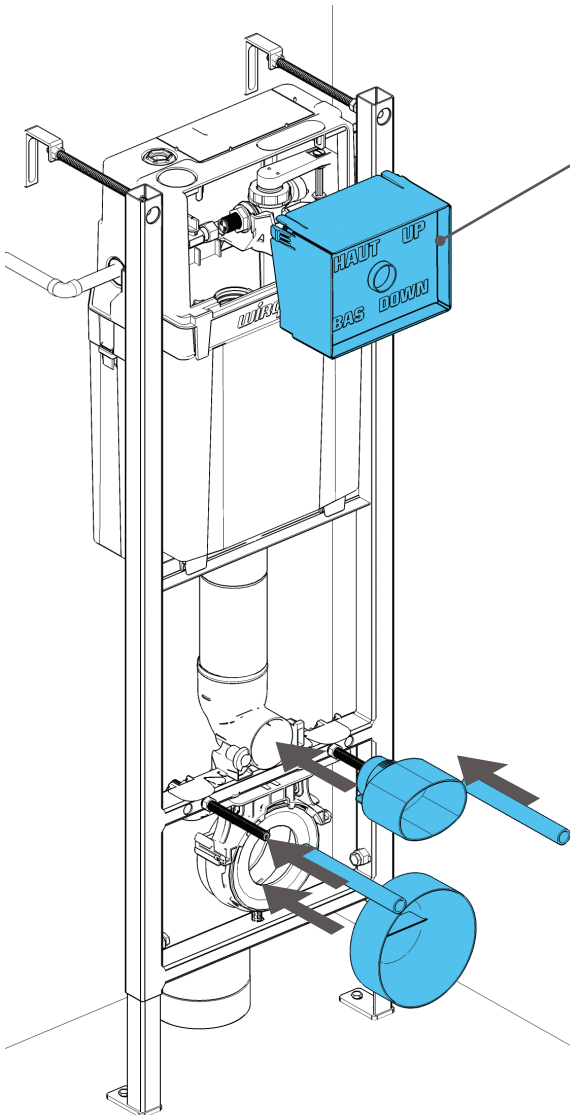
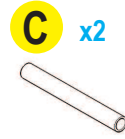
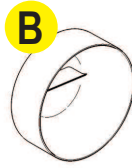
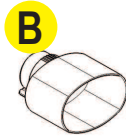
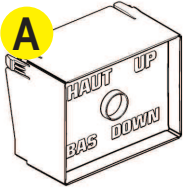
2'



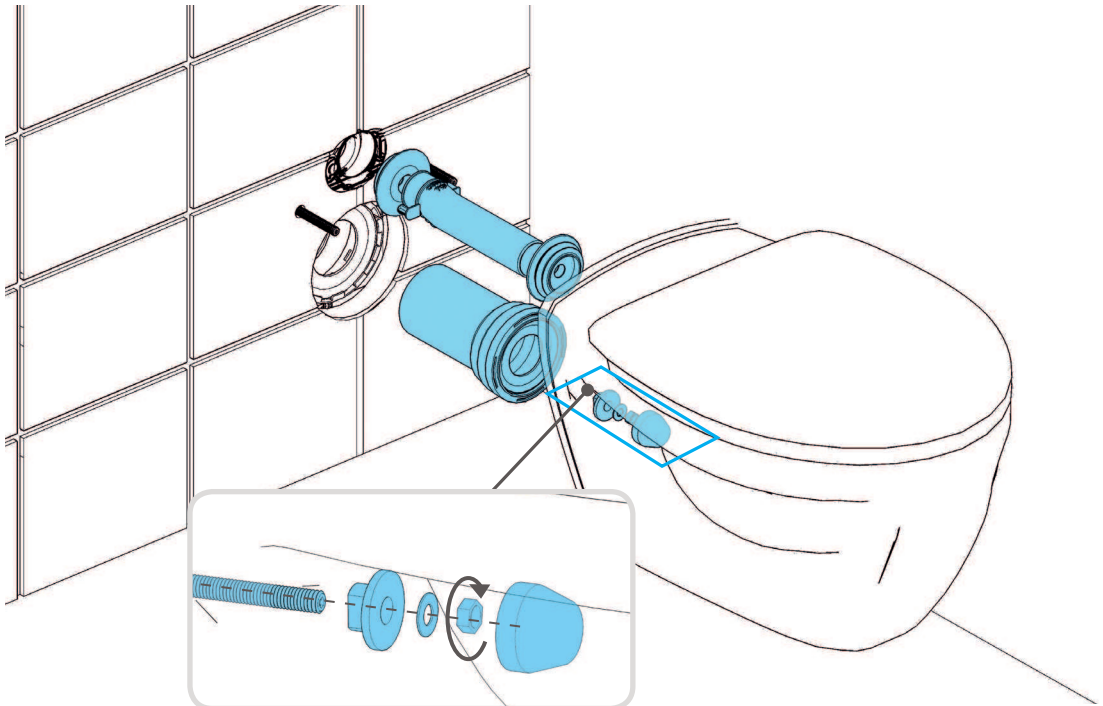
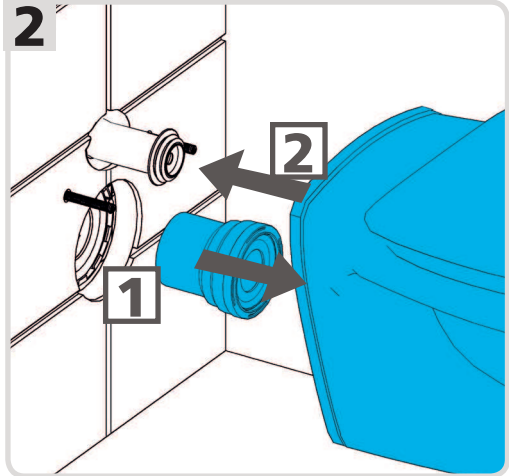
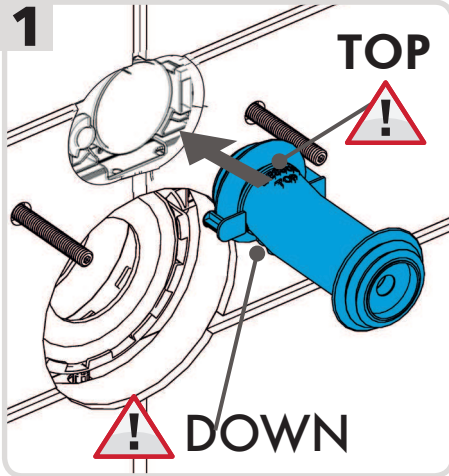
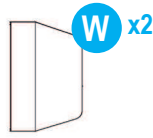
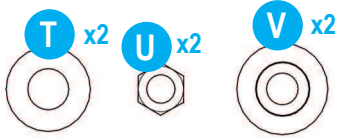
5



6



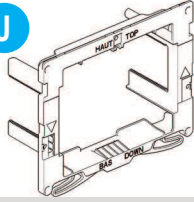
7b



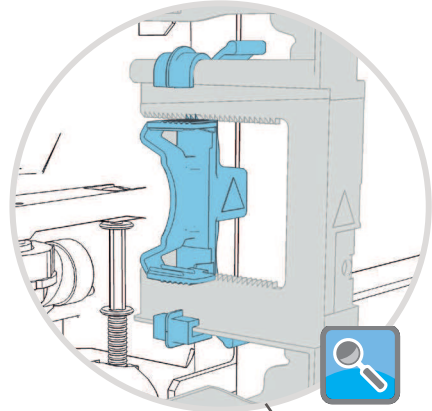
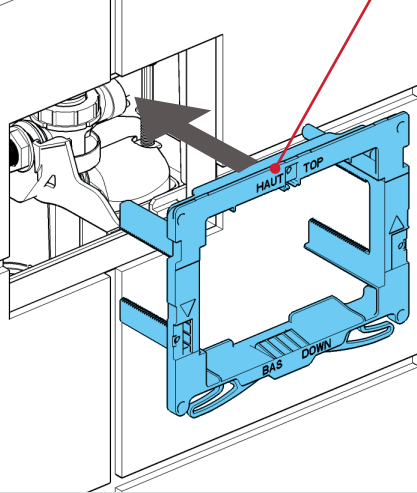
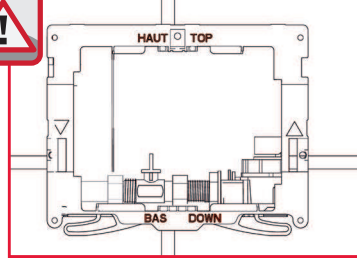
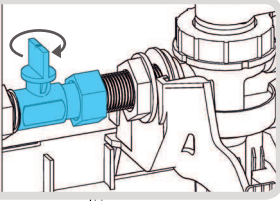
8

I x2

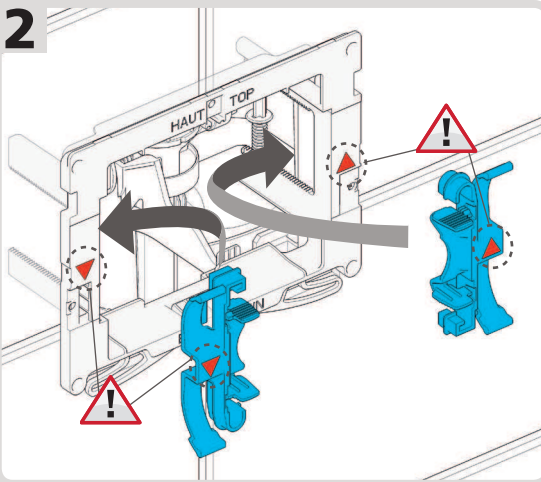
J



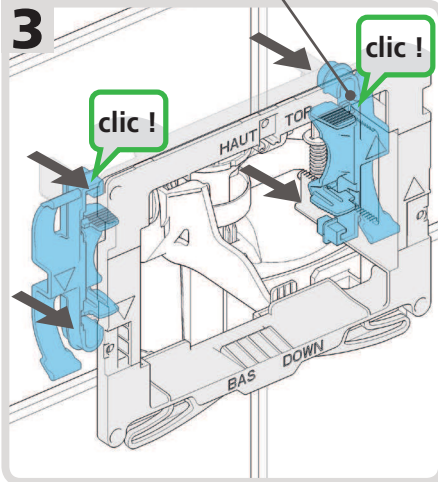
1



2



3



9

