



PERFORMANCE CURVES

2023-06-20

Page 2 / 3

DAB PUMPS S.p.A.
Via Marco Polo, 14 - 35035 Mestrino (PD), Italy
Tel. +39 049 5125000 - Fax +39 049 5125950
www.dabpumps.com

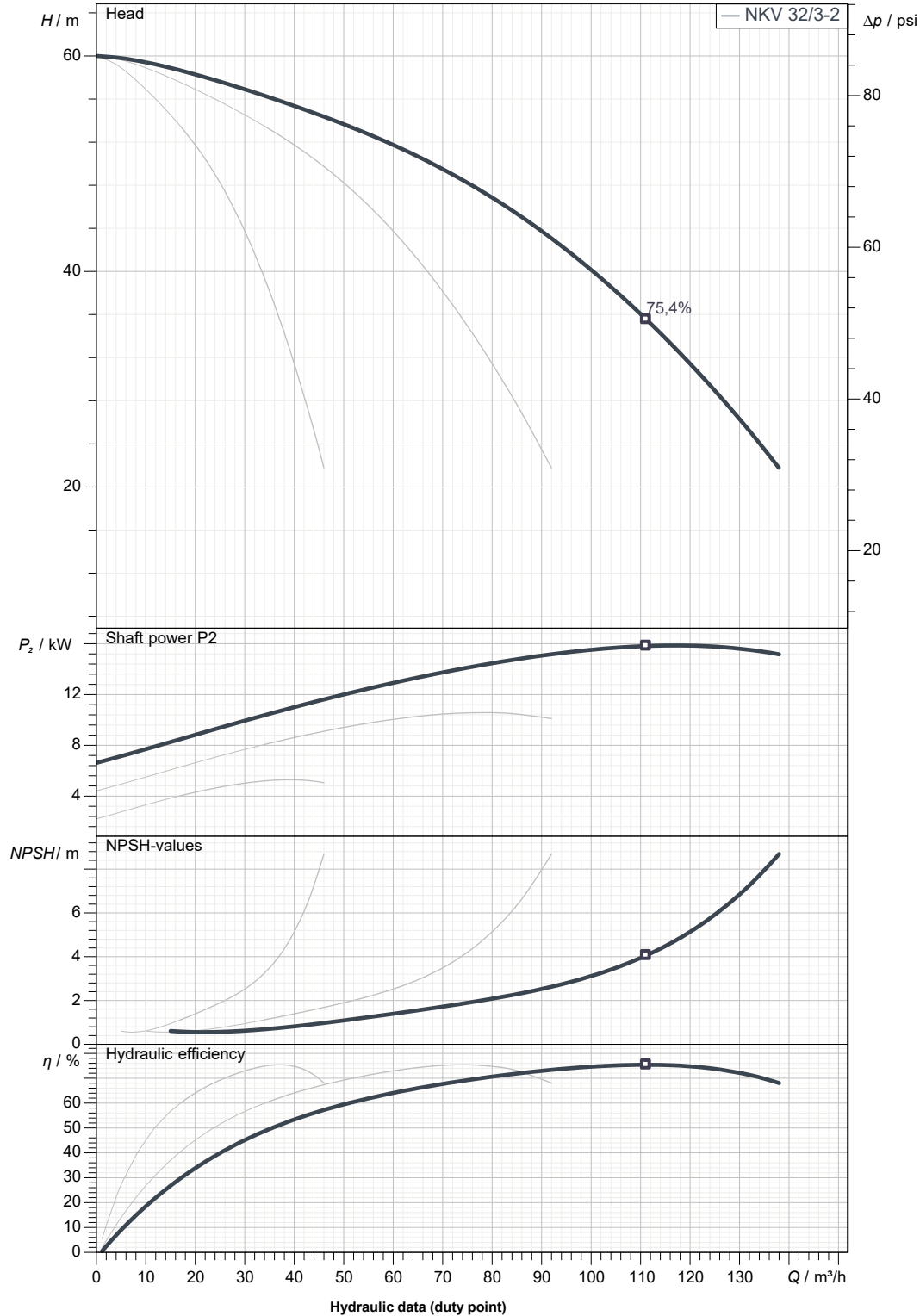
Receiver

From

Company
Reference
Address
Phone
Fax
E-mail

3 NKV 32/3-2 T E1 IE3

Curve tolerance according to ISO 9906



Suction side :
DN 150
232,1 psi

Discharge side :
DN 125
232,1 psi

Flow :

Head :

Rated speed :
2.935 1/min

MAIN_PROJECT_TITLE

BUSINESS_PROCESS_ID

OWNER_

ISSUE_DATE
2023-06-20



DIMENSIONAL DRAWING

2023-06-20

Page 3 / 3

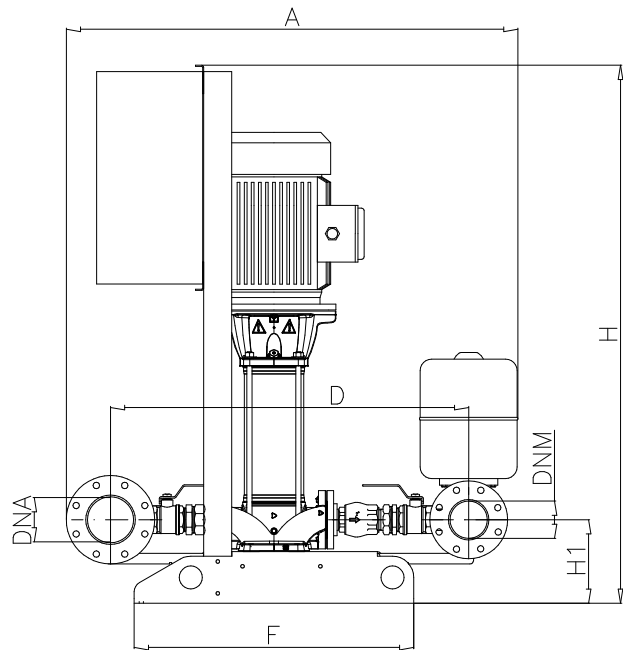
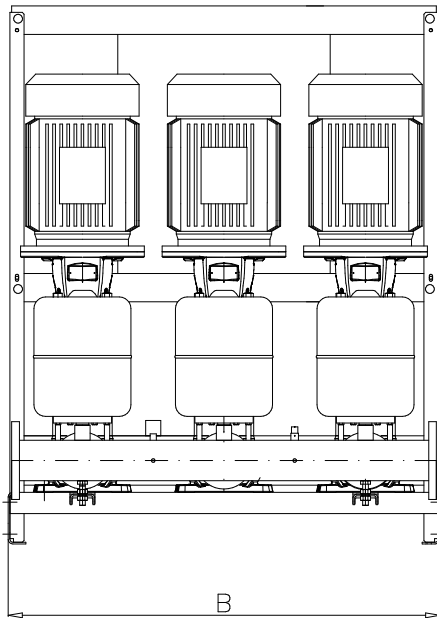
DAB PUMPS S.p.A.
Via Marco Polo, 14 - 35035 Mestrino (PD), Italy
Tel. +39 049 5125000 - Fax +39 049 5125950
www.dabpumps.com

Receiver

From

Company
Reference
Address
Phone
Fax
E-mail

3 NKV 32/3-2 T E1 IE3



Dimensions in mm

Pump connection

1	A	1.613					
2	B	1.500					
3	D	1.331					
4	DNA	DN 150					Suction
5	DNM	DN 125					232,1 psi
6	F	890					
7	H	1.362					Discharge
8	H1	271					DN 125
9							232,1 psi
10							
11							

MAIN_PROJECT_TITLE

BUSINESS_PROCESS_ID

OWNER

ISSUE_DATE

2023-06-20