

**Receiver**

**From**

Company  
Reference  
Address  
Phone  
Fax  
E-mail

**Item n° :** 103040000  
**Customer pos. no.:**

**Model :**  
FEKA VS 550 M - A

**Pump data**

Free passage : 50 mm  
Pressure rating :  
Min. fluid temperature : 0  
Max. fluid temperature : 50 °C  
Max. Ambient temperature : 40 °C

**Requested data**

Flow :  
Head :  
Fluid : Water  
Fluid Temperature : 20 °C  
Density : 998,3 kg/m³  
Kinematic viscosity : 1,005 mm²/s  
Vapor pressure : 0,33938 psi

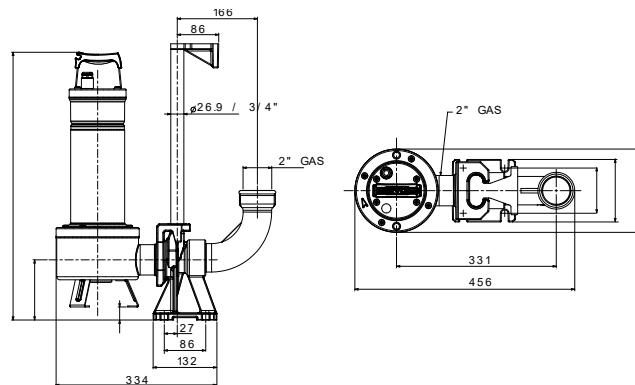
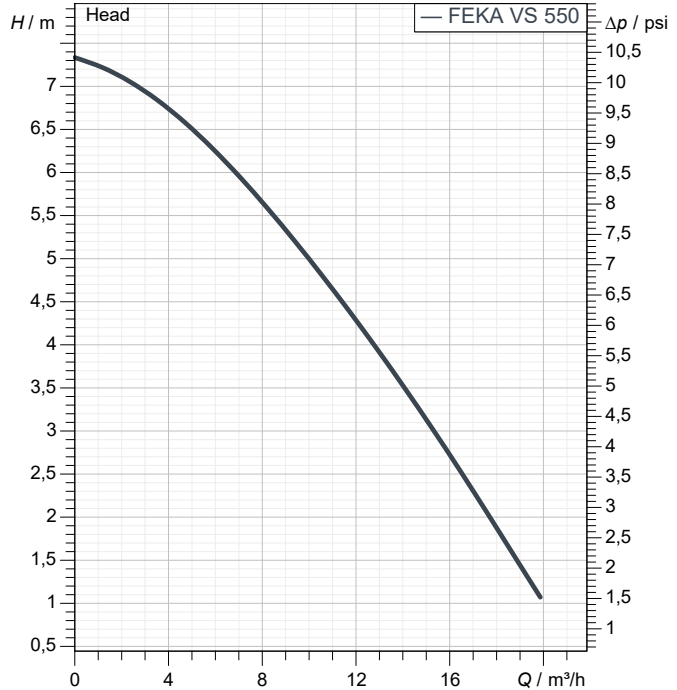
**Hydraulic data (duty point)**

Flow :  
Head :

**Materials**

Pump body : Stainless Steel (AISI 304)  
Impeller : Stainless Steel (AISI 304)  
Motor shaft : AISI 316  
Seal disk : Stainless Steel (AISI 304)  
Motor casing : Stainless Steel (AISI 304)  
Mechanical seal pump side : Silicon carbide/Silicon carbide  
Mechanical seal motor side : Carbon/Alumina

Curve tolerance according to ISO 9906



**Motor data**

Motor brand : DAB  
Nominal power P2 : 0,55 kW  
Rated speed : 2.800 1/min  
Rated voltage : 1~ 220-240 V 50 Hz  
Nominal current : 4,2 A  
Degree of protection : IP 68

**Weight :** 16,3 kg

**Dimensions in mm**

H	519				

**Pump connection**

Suction side : /  
Discharge side : 2" GAS / --



WATER • TECHNOLOGY

# PERFORMANCE CURVES

2023-06-22

Page 2 / 3

DAB PUMPS S.p.A.  
Via Marco Polo, 14 - 35035 Mestrino (PD), Italy  
Tel. +39 049 5125000 - Fax +39 049 5125950  
www.dabpumps.com

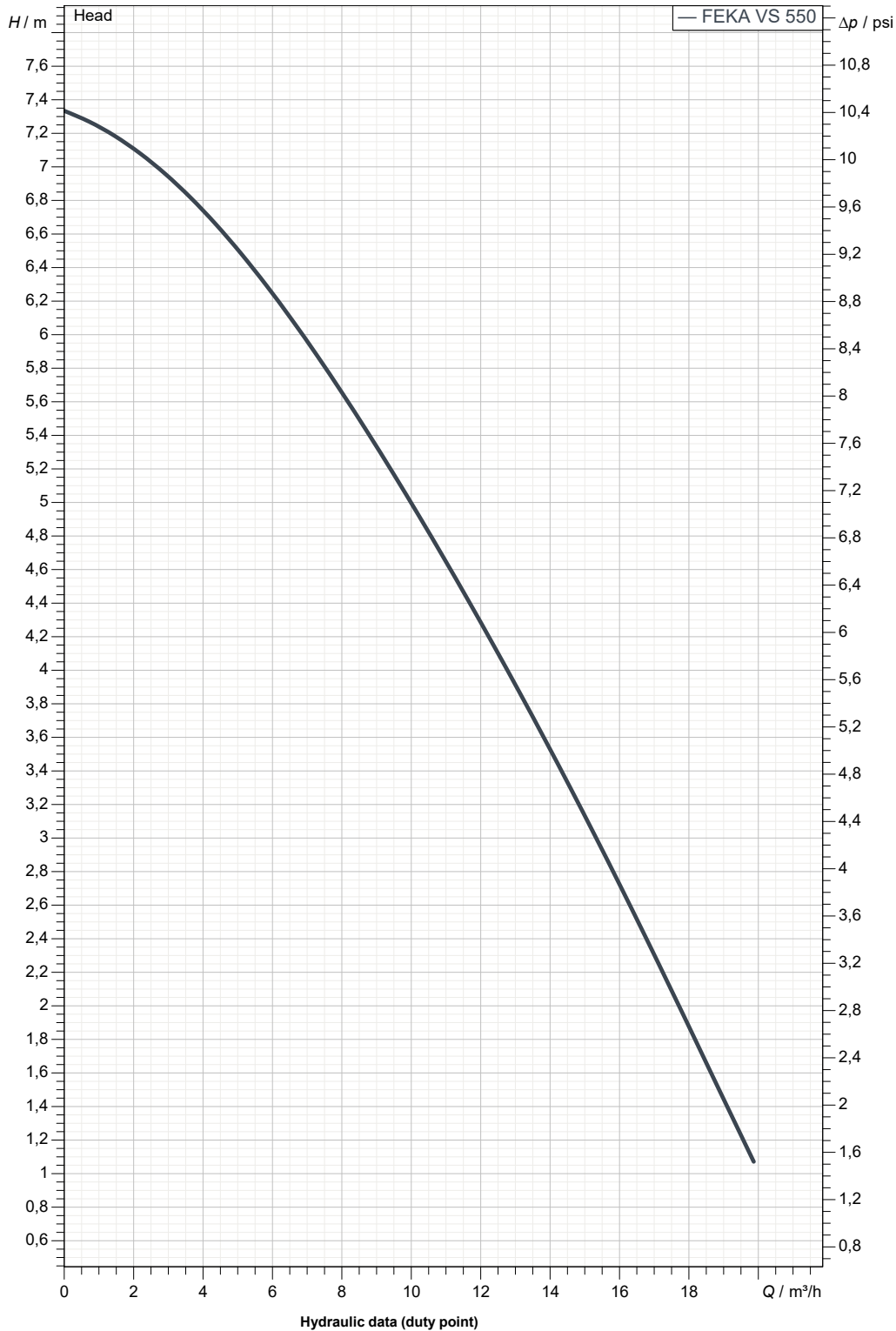
Receiver

From

Company  
Reference  
Address  
Phone  
Fax  
E-mail

## FEKA VS 550 M - A

Curve tolerance according to ISO 9906



Suction side :

Discharge side :  
2" GAS  
--

Flow :

Head :

Rated speed :  
2.800 1/min

MAIN\_PROJECT\_TITLE

BUSINESS\_PROCESS\_ID

OWNER\_

ISSUE\_DATE

2023-06-22



# DIMENSIONAL DRAWING

2023-06-22

Page 3 / 3

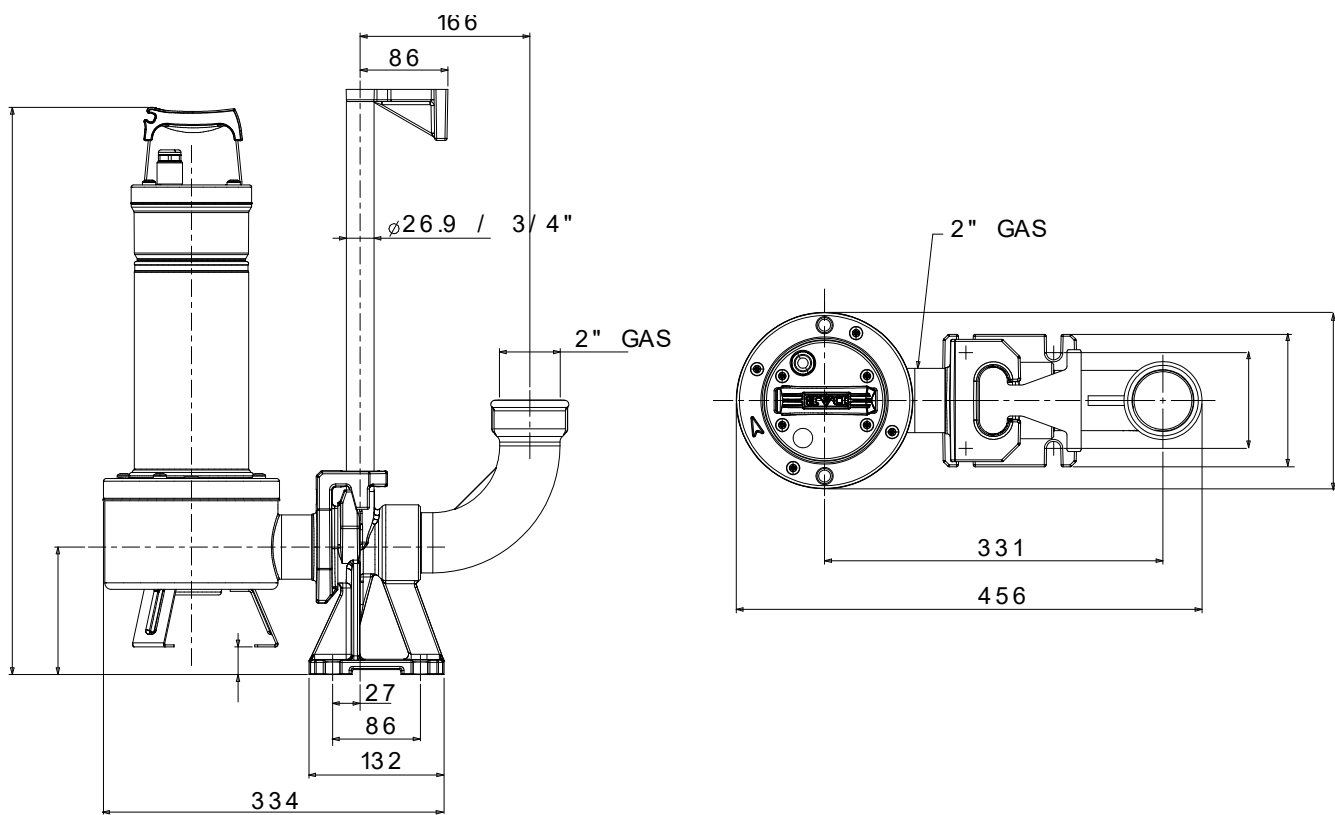
DAB PUMPS S.p.A.  
Via Marco Polo, 14 - 35035 Mestrino (PD), Italy  
Tel. +39 049 5125000 - Fax +39 049 5125950  
www.dabpumps.com

Receiver

From

Company  
Reference  
Address  
Phone  
Fax  
E-mail

## FEKA VS 550 M - A



Dimensions in mm					Pump connection	
1	H	519			Suction  Discharge 2" GAS --	
2						
3						
4						
5						
6						
7						
8						
9						
10						
11						

MAIN_PROJECT_TITLE	BUSINESS_PROCESS_ID	OWNER	ISSUE_DATE <b>2023-06-22</b>
--------------------	---------------------	-------	---------------------------------