

Receiver

From

Company
Reference
Address
Phone
Fax
E-mail

Drainage station

FEKABOX 110

Item n° :

60164870

Pump type

FEKA VS 750 M - A 50 Hz 230

Item n° :

103040040

Customer pos. no.:

Pump data

Pressure rating : --
Min. fluid temperature : 0 °C
Max. fluid temperature : 50 °C
Max. Ambient temperature :

Requested data

Flow :
Head :
Fluid : Water
Fluid Temperature : 20 °C
Density : 998 kg/m³
Kinematic viscosity : 1 mm²/s
Vapor pressure : 0,33938 psi

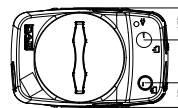
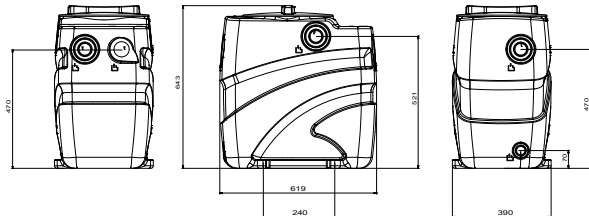
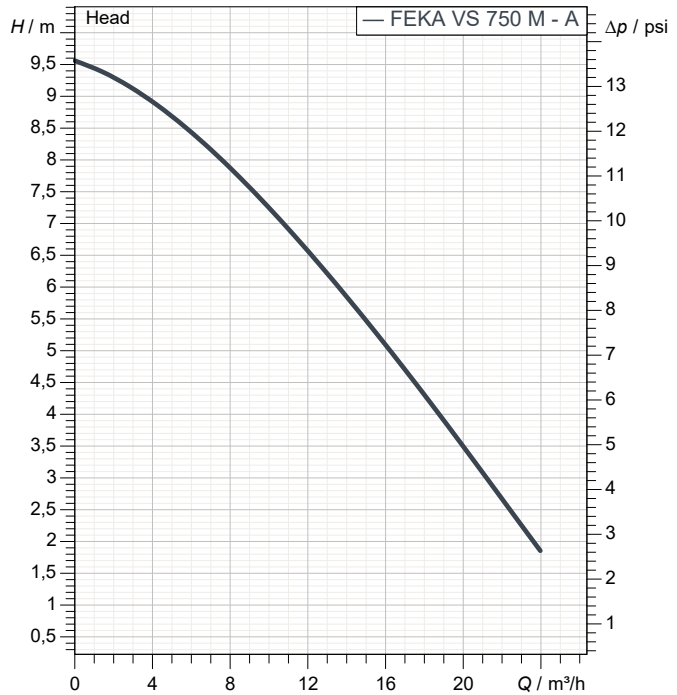
Hydraulic data (duty point)

Flow :
Head :

Materials

Tank High density polyethylene

Curve tolerance according to ISO 9906



Tank weight : 10,3 kg

Motor data

Motor brand : DAB
Nominal power P2 : 0,75 kW
Rated speed : 2.800 1/min
Rated voltage : 1~ 220-240 V 50 Hz
Nominal current : 5,13 A
Degree of protection : IP 68

Dimensions in mm

A	295	G	DN 50		
B	700	I	DN 110		
C	560				
D	380				
E	DN 110				
F	DN 50				

Pump connection

Suction side : DN 50/110
Ventilation : DN 50
Discharge side : 2" G



WATER • TECHNOLOGY

PERFORMANCE CURVES

2023-06-28

Page 2 / 3

DAB PUMPS S.p.A.
Via Marco Polo, 14 - 35035 Mestrino (PD), Italy
Tel. +39 049 5125000 - Fax +39 049 5125950
www.dabpumps.com

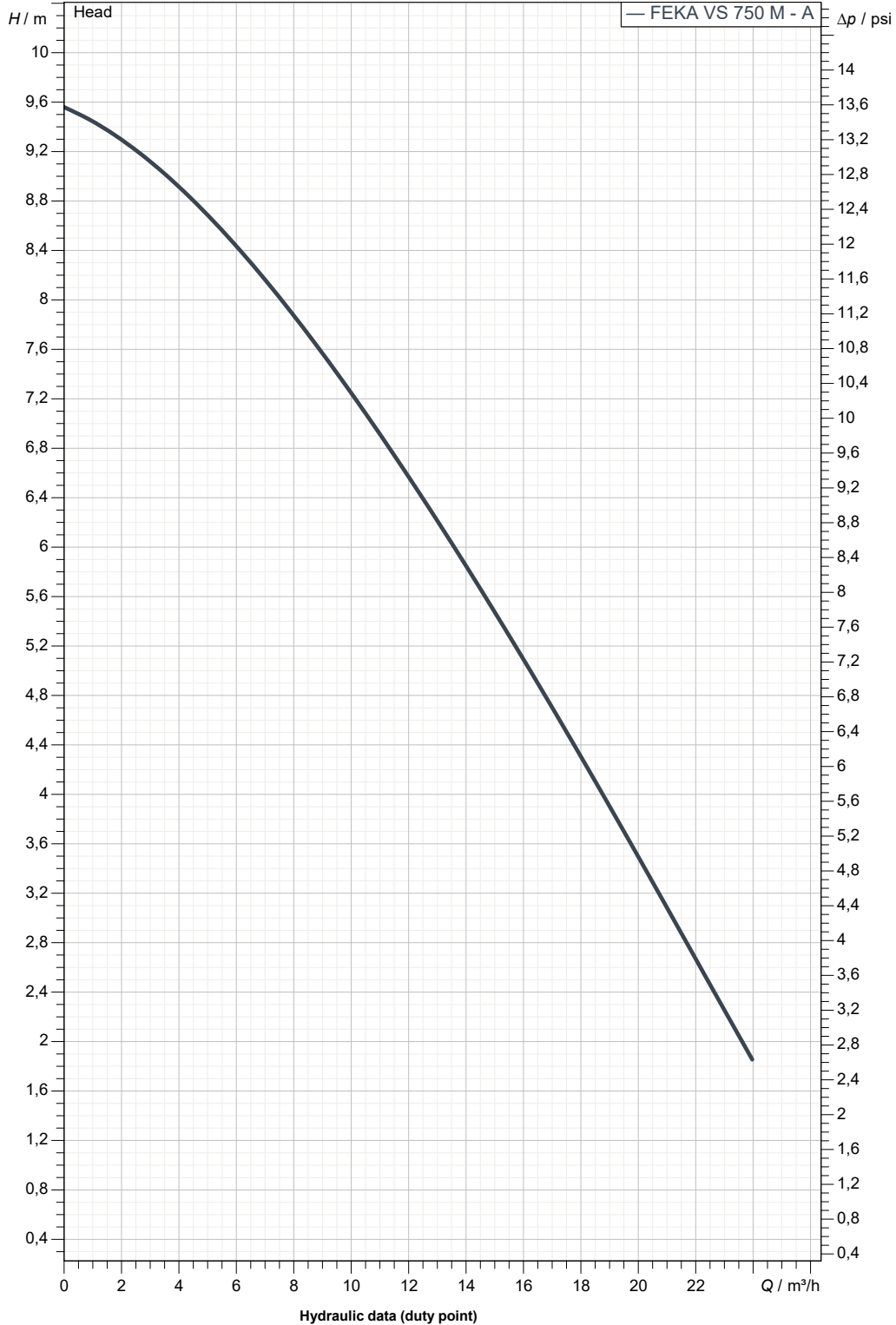
Receiver

From

Company
Reference
Address
Phone
Fax
E-mail

FEKABOX 110

Curve tolerance according to ISO 9906



Suction side :
DN 50/110
--

Discharge side :
2" G
--

Flow :

Head :

Rated speed :
2.800 1/min

MAIN_PROJECT_TITLE

BUSINESS_PROCESS_ID

OWNER_

ISSUE_DATE
2023-06-28



DIMENSIONAL DRAWING

2023-06-28

Page 3 / 3

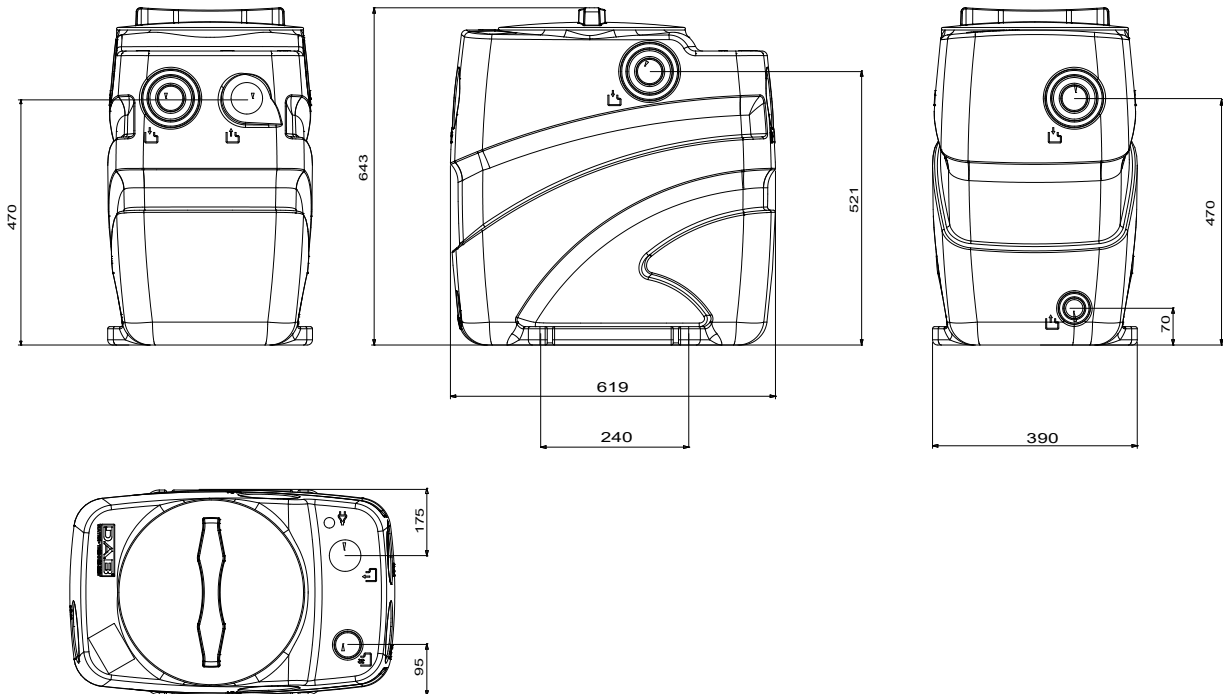
DAB PUMPS S.p.A.
Via Marco Polo, 14 - 35035 Mestrino (PD), Italy
Tel. +39 049 5125000 - Fax +39 049 5125950
www.dabpumps.com

Receiver

From

Company
Reference
Address
Phone
Fax
E-mail

FEKABOX 110



Dimensions in mm

Pump connection

1	A	295					
2	B	700					Suction
3	C	560					DN 50/110
4	D	380					--
5	E	DN 110					Discharge
6	F	DN 50					2" G
7	G	DN 50					--
8	I	DN 110					
9							
10							
11							

MAIN_PROJECT_TITLE

BUSINESS_PROCESS_ID

OWNER_

ISSUE_DATE

2023-06-28