

Receiver

From

Company
Reference
Address
Phone
Fax
E-mail

Item n° : 60169863
Customer pos. no.:
Model : 1 NKP-G 50-160/169 IE3

Pump data

MEI ≥ 0,40
Impeller size : 169 mm
Pressure rating : 145 psi
Min. fluid temperature : -15 °C
Max. fluid temperature : 70 °C
Max. Ambient temperature : 40 °C

Requested data

Flow :
Head :
Fluid : Water
Fluid Temperature : 20 °C
Density : 998,3 kg/m³
Kinematic viscosity : 1,005 mm²/s
Vapor pressure : 0,34 psi

Hydraulic data (duty point)

Flow :
Head :

Materials

Pump body : Cast iron 250 UNI ISO 185
Support : Cast iron 250 UNI ISO 185
Impeller : Cast iron 250 UNI ISO 185
Mechanical seal : Carbon/Silicon carbide - EPDM
O-Ring : Ethylene propylene (EPDM)
Pump shaft : AISI 304 - UNI 6900/71
Suction and discharge manifolds : Galvanized steel

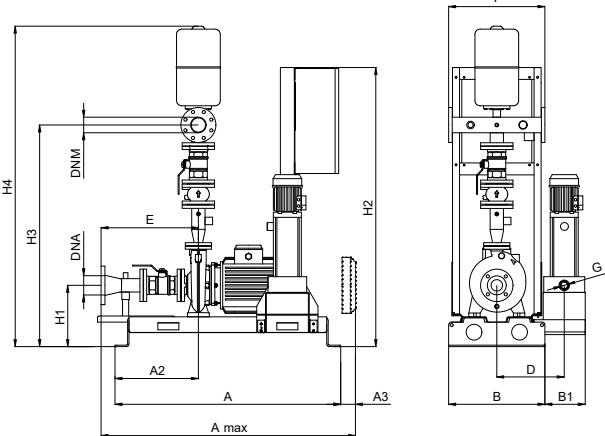
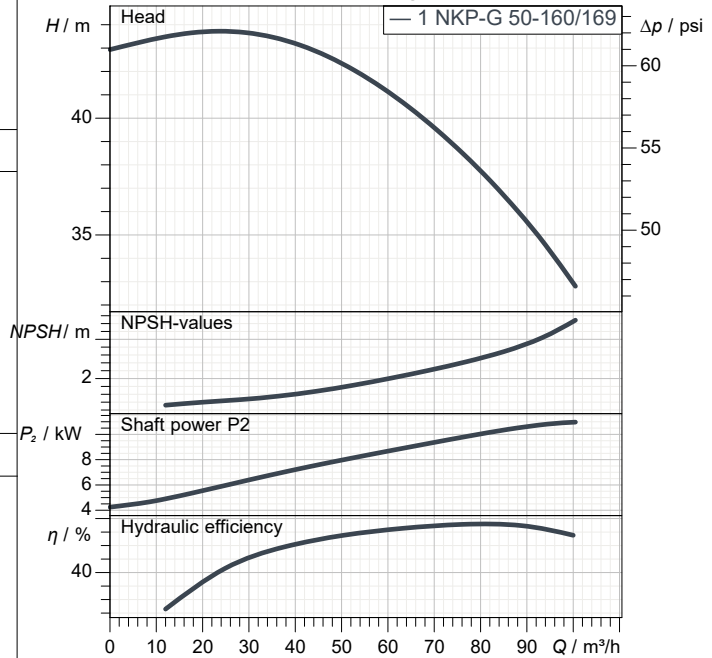
Motor data

Motor brand :
Nominal power P2 : 11 kW
Rated speed : 2.930 1/min
Rated voltage : 3~ 400 V 50 Hz
Nominal current : 19,7 A
Degree of protection : IP 55

Pump connection

Suction side : DN 100 / 145 psi
Discharge side : DN 100 / 145 psi

Curve tolerance according to ISO 9906



WITHOUT the jockey pump, do not consider B1, D and G.

Weight : 0 kg

Dimensions in mm

A	1.300
Amax	1.434
B	550
DNA	DN 100
DNM	DN 100
E	516
H1	350
H2	1.595
H3	1.230
H4	1.684
I	573



PERFORMANCE CURVES

2023-04-26

Page 2 / 3

DAB PUMPS S.p.A.
Via Marco Polo, 14 - 35035 Mestrino (PD), Italy
Tel. +39 049 5125000 - Fax +39 049 5125950
www.dabpumps.com

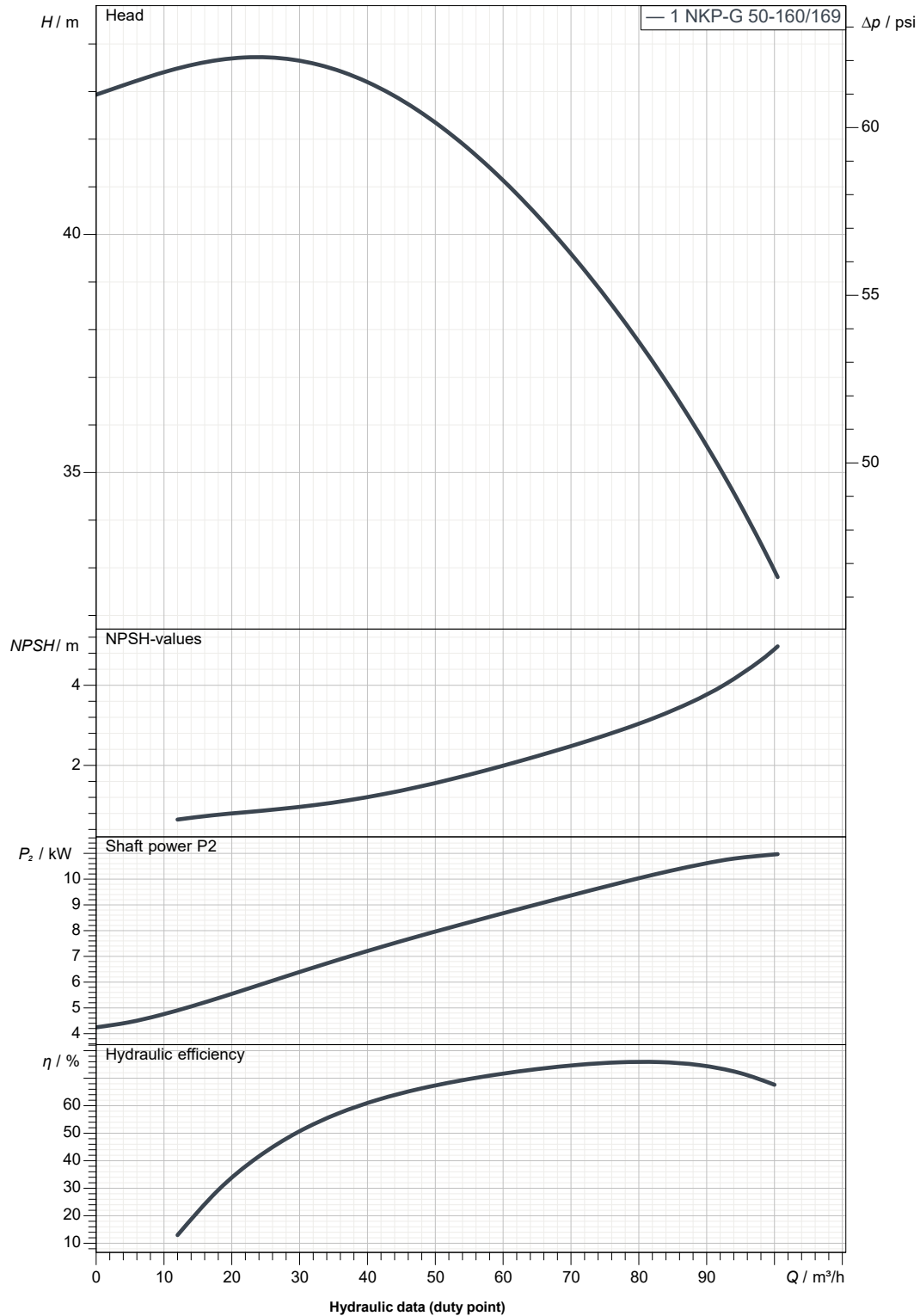
Receiver

From

Company
Reference
Address
Phone
Fax
E-mail

1 NKP-G 50-160/169 IE3

Curve tolerance according to ISO 9906



Suction side :
DN 100
145 psi

Discharge side :
DN 100
145 psi

Flow :

Head :

Rated speed :
2.930 1/min

MAIN_PROJECT_TITLE

BUSINESS_PROCESS_ID

OWNER_

ISSUE_DATE
2023-04-26



DIMENSIONAL DRAWING

2023-04-26

Page 3 / 3

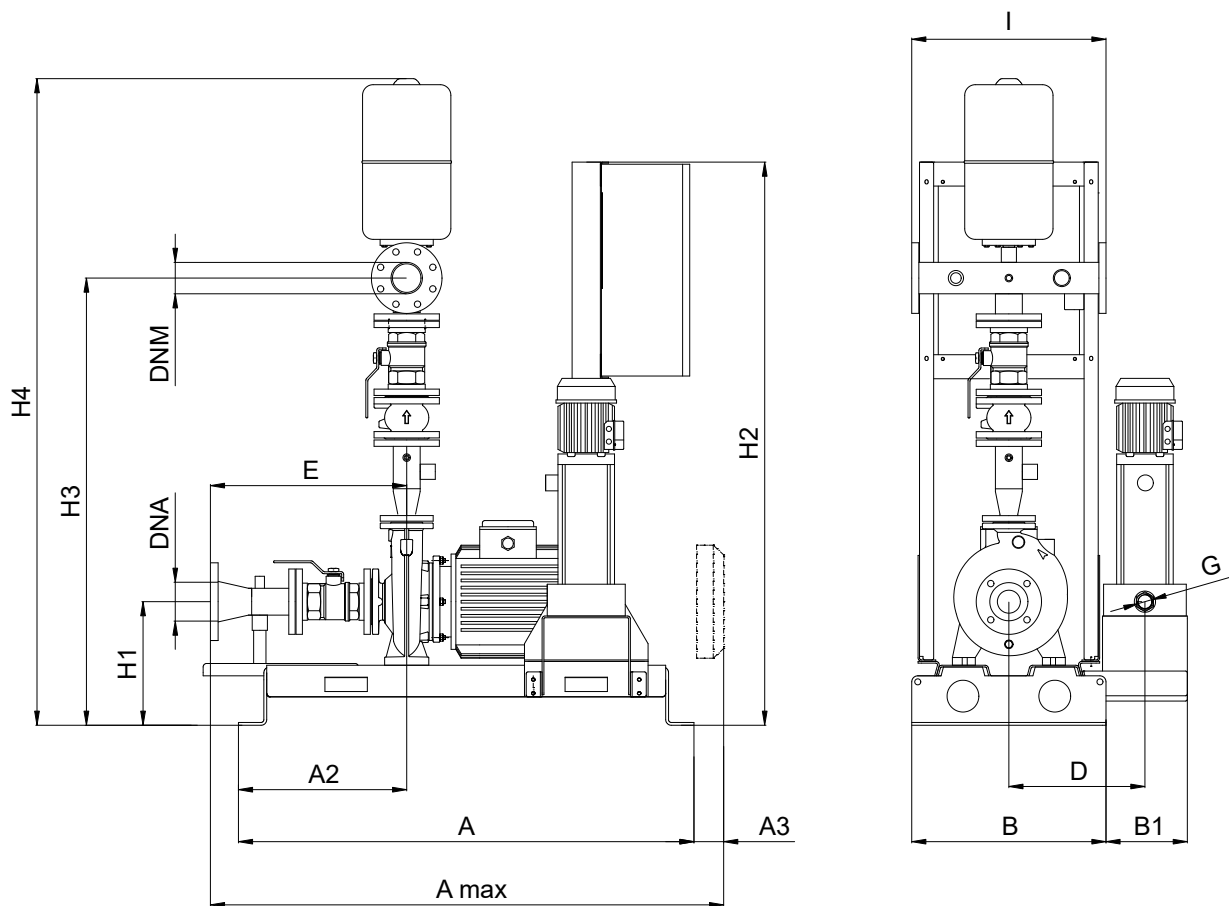
DAB PUMPS S.p.A.
Via Marco Polo, 14 - 35035 Mestrino (PD), Italy
Tel. +39 049 5125000 - Fax +39 049 5125950
www.dabpumps.com

Receiver

From

Company
Reference
Address
Phone
Fax
E-mail

1 NKP-G 50-160/169 IE3



WITHOUT the jockey pump, do not consider B1, D and G.

Dimensions in mm				Pump connection	
1	A	1.300			Suction DN 100 145 psi Discharge DN 100 145 psi
2	Amax	1.434			
3	B	550			
4	DNA	DN 100			
5	DNM	DN 100			
6	E	516			
7	H1	350			
8	H2	1.595			
9	H3	1.230			
10	H4	1.684			
11	I	573			
12					

MAIN_PROJECT_TITLE	BUSINESS_PROCESS_ID	OWNER	ISSUE_DATE 2023-04-26
--------------------	---------------------	-------	---------------------------------