

Receiver

Society
Reference
Address
Phone
Fax
E-mail

From

Item n° :
60151145
Customer pos. no.:
Model :
EVOPLUS 60/180 SAN M

Pump data
Pressure rating : 1600 kPa
Min. fluid temperature : -10 °C
Max. fluid temperature : 110 °C
EEI : ≤ ***

Minimum suction head :
Temperature °C 90 100
Minimum suction head : m 20 25

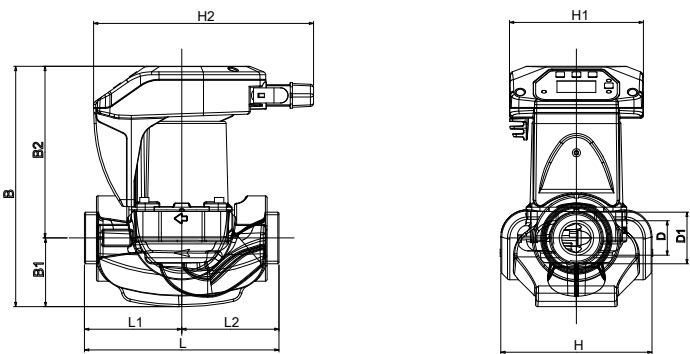
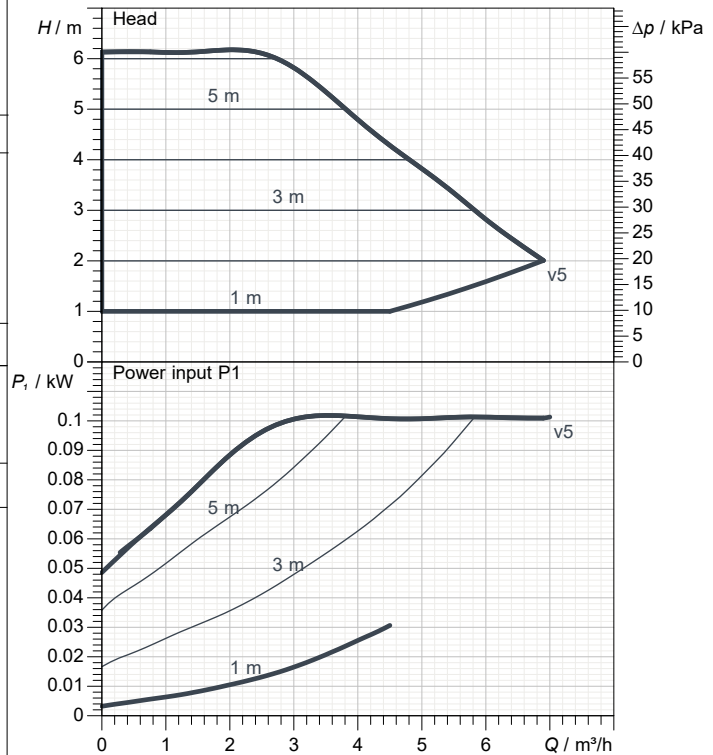
Requested data
Flow :
Head :
Fluid (%) :
Fluid Temperature : 20 °C
Density : 998.3 kg/m³
Kinematic viscosity : 1.005 mm²/s
Vapor pressure : 2.34 kPa

Hydraulic data (duty point)
Flow :
Head :

Materials
Pump body : Bronze
Impeller : Technopolymer
Motor shaft : Alumina
Seal ring : EPDM
Motor casing : Die cast aluminium
Closing flange : Stainless steel
Thrust ring support : EPDM

Motor data
Motor brand : DAB
Power input P1 : 0.1 kW
Rated voltage : 1~ 220-240 V 50 Hz
Nominal current : 0.72 A
Degree of protection : IP 44

Curve tolerance according to ISO 9906



Dimensions in mm	
B	224
B1	65
B2	159
D	32
D1	1"1/2 G
H	124
H1	124
H2	204
L	180
L1	90
L2	90

Weight : 4.5 kg

Pump connection
Suction side : 1"1/2 G
Discharge side : 1"1/2 G

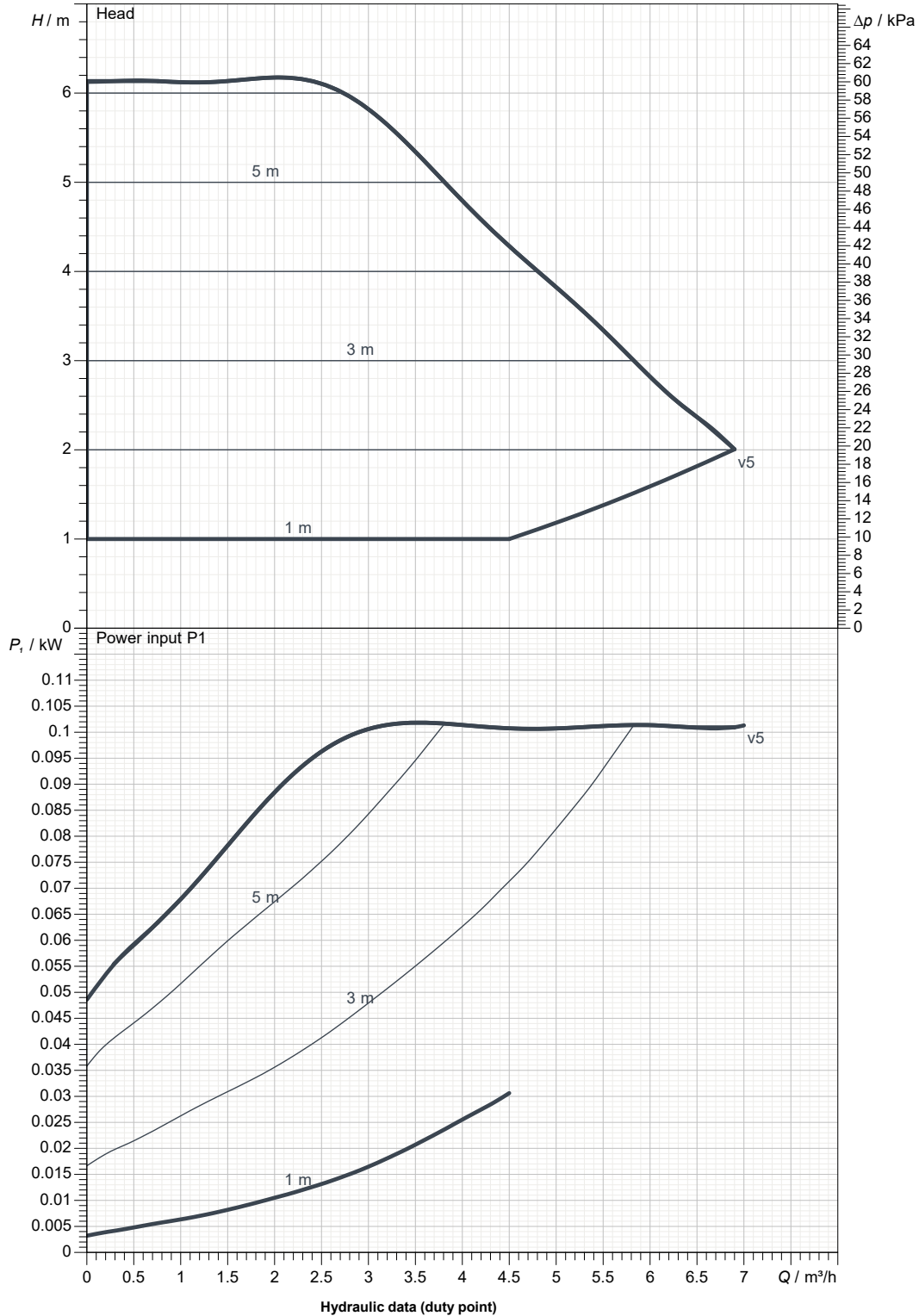
Receiver

From

 Society
 Reference
 Address
 Phone
 Fax
 E-mail

EVOPLUS 60/180 SAN M

Curve tolerance according to ISO 9906


 Suction side :
 1"1/2 G
 1600 kPa

 Discharge side :
 1"1/2 G
 1600 kPa

Flow :

Head :

 Rated speed :
 2900 1/min

MAIN_PROJECT_TITLE

BUSINESS_PROCESS_ID

OWNER_

ISSUE_DATE

2023-02-22



DIMENSIONAL DRAWING

2023-02-22

Page 3 / 3

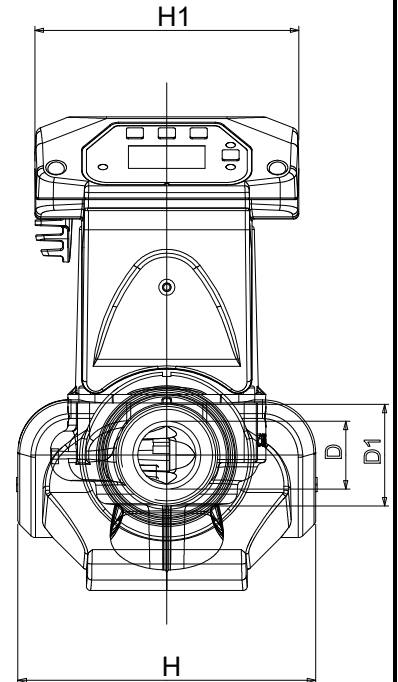
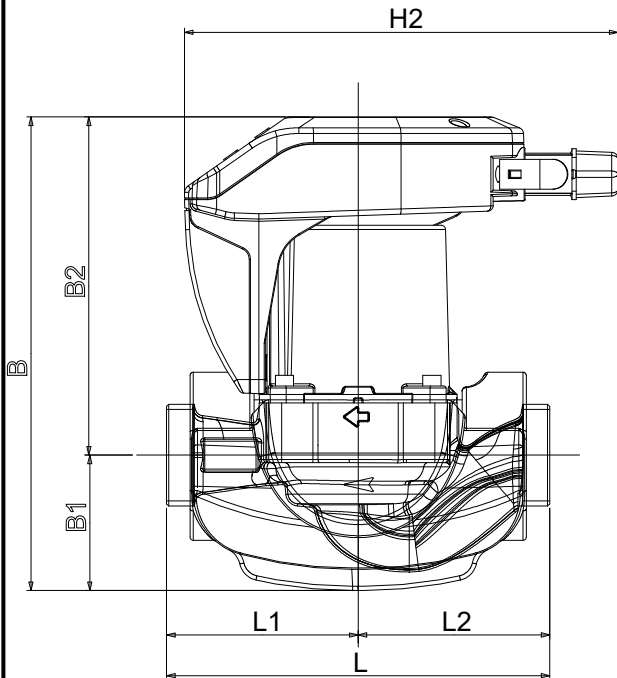
DAB PUMPS S.p.A.
Via Marco Polo, 14 - 35035 Mestrino (PD), Italy
Tel. +39 049 5125000 - Fax +39 049 5125950
www.dabpumps.com

Receiver

From

Society
Reference
Address
Phone
Fax
E-mail

EVOPLUS 60/180 SAN M



Dimensions in mm				Pump connection	
1	B	224			
2	B1	65			Suction
3	B2	159			1"1/2 G
4	D	32			1600 kPa
5	D1	1"1/2 G			
6	H	124			Discharge
7	H1	124			1"1/2 G
8	H2	204			1600 kPa
9	L	180			
10	L1	90			
11	L2	90			

MAIN_PROJECT_TITLE	BUSINESS_PROCESS_ID	OWNER_	ISSUE_DATE 2023-02-22
--------------------	---------------------	--------	--------------------------