

**Receiver**

**From**

Company  
Reference  
Address  
Phone  
Fax  
E-mail

**Item n° :** 60169913  
**Customer pos. no.:**

**Model :**  
2 NKP-G 40-250/230 IE3

**Pump data**

MEI  $\geq$  0,50  
Impeller size : 230 mm  
Pressure rating : 145 psi  
Min. fluid temperature : -15 °C  
Max. fluid temperature : 70 °C  
Max. Ambient temperature : 40 °C

**Requested data**

Flow :  
Head :  
Fluid : Water  
Fluid Temperature : 20 °C  
Density : 998,3 kg/m<sup>3</sup>  
Kinematic viscosity : 1,005 mm<sup>2</sup>/s  
Vapor pressure : 0,34 psi

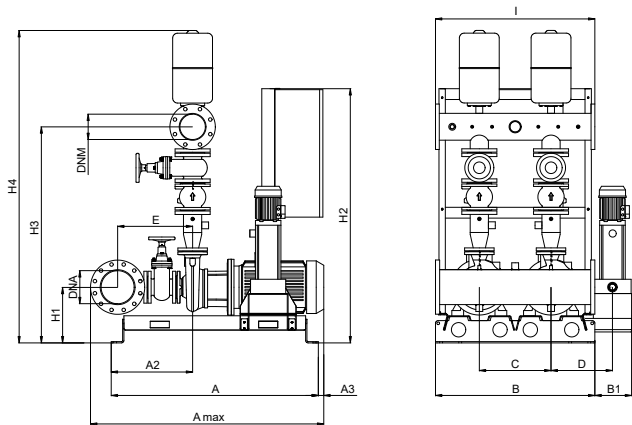
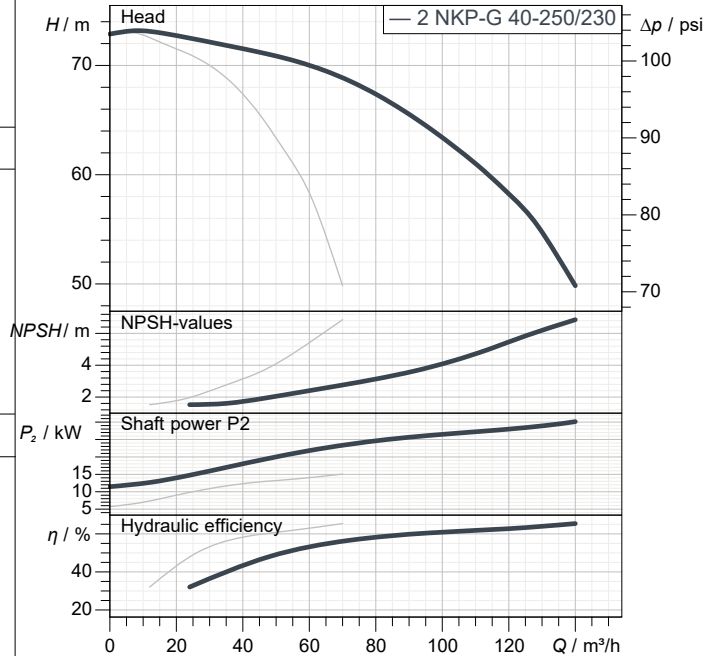
**Hydraulic data (duty point)**

Flow :  
Head :

**Materials**

Pump body : Cast iron 250 UNI ISO 185  
Support : Cast iron 250 UNI ISO 185  
Impeller : Cast iron 250 UNI ISO 185  
Mechanical seal : Carbon/Silicon carbide - EPDM  
O-Ring : Ethylene propylene (EPDM)  
Pump shaft : AISI 304 - UNI 6900/71  
Suction and discharge manifolds : Galvanized steel

**Curve tolerance according to ISO 9906**



WITHOUT the jockey pump, do not consider B1 and D.

**Weight :** 0 kg

**Motor data**

Motor brand :  
Nominal power  $P_2$  : 2 x 15 kW  
Rated speed : 2.940 1/min  
Rated voltage : 3~ 400 V 50 Hz  
Nominal current : 2 x 26,5 A  
Degree of protection : IP 55

**Dimensions in mm**

A	1.300
A2	445
Amax	1.368
B	1.000
C	450
DNA	DN 125
DNM	DN 100
E	406
H1	350
H2	1.595
H3	1.225
H4	1.680
I	1.000

**Pump connection**

Suction side : DN 125 / 145 psi  
Discharge side : DN 100 / 145 psi



# PERFORMANCE CURVES

2023-07-04

Page 2 / 3

DAB PUMPS S.p.A.  
Via Marco Polo, 14 - 35035 Mestrino (PD), Italy  
Tel. +39 049 5125000 - Fax +39 049 5125950  
www.dabpumps.com

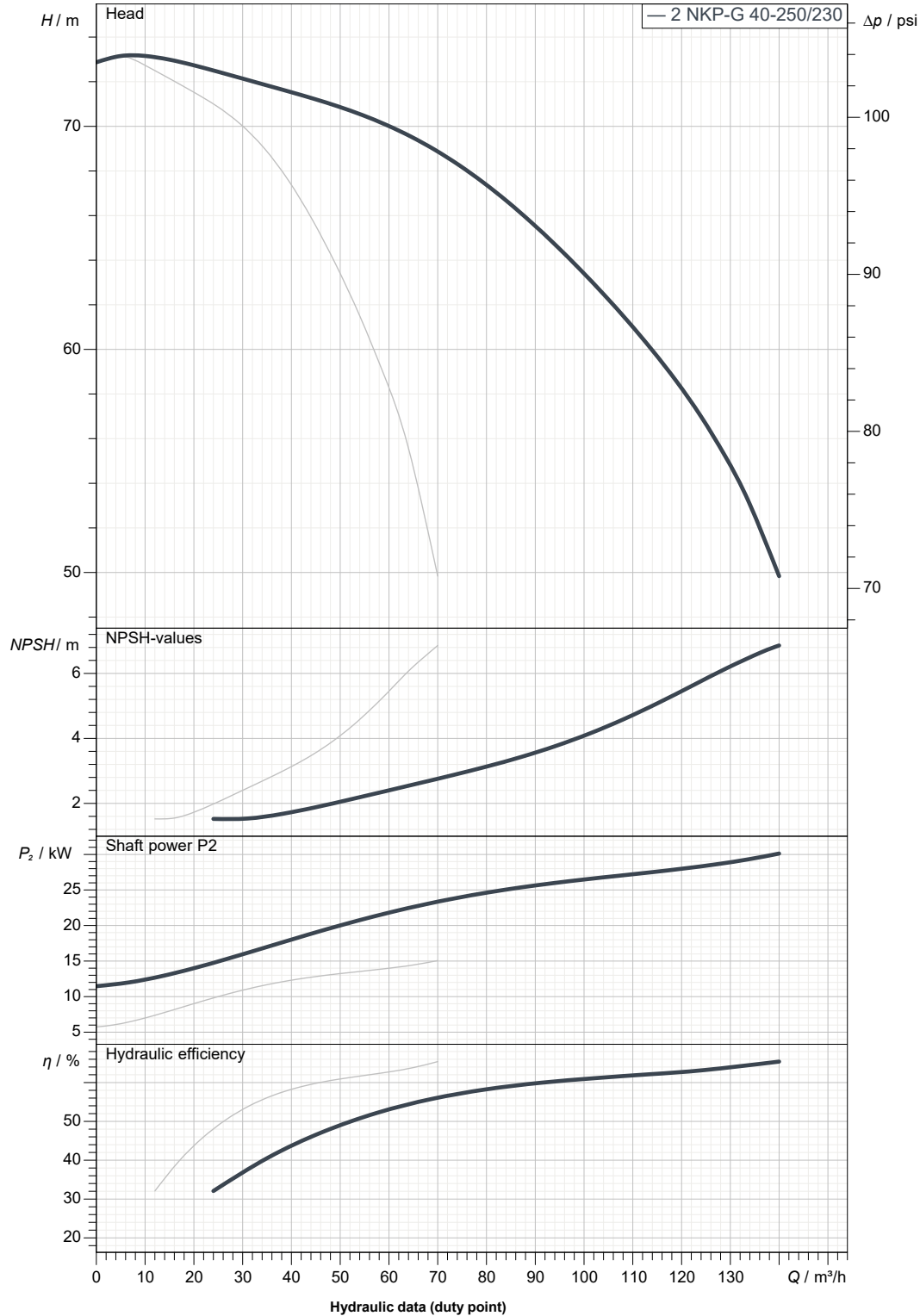
Receiver

From

Company  
Reference  
Address  
Phone  
Fax  
E-mail

## 2 NKP-G 40-250/230 IE3

Curve tolerance according to ISO 9906



Suction side :  
DN 125  
145 psi

Discharge side :  
DN 100  
145 psi

Flow :

Head :

Rated speed :  
2.940 1/min

MAIN\_PROJECT\_TITLE

BUSINESS\_PROCESS\_ID

OWNER\_

ISSUE\_DATE

2023-07-04



# DIMENSIONAL DRAWING

2023-07-04

Page 3 / 3

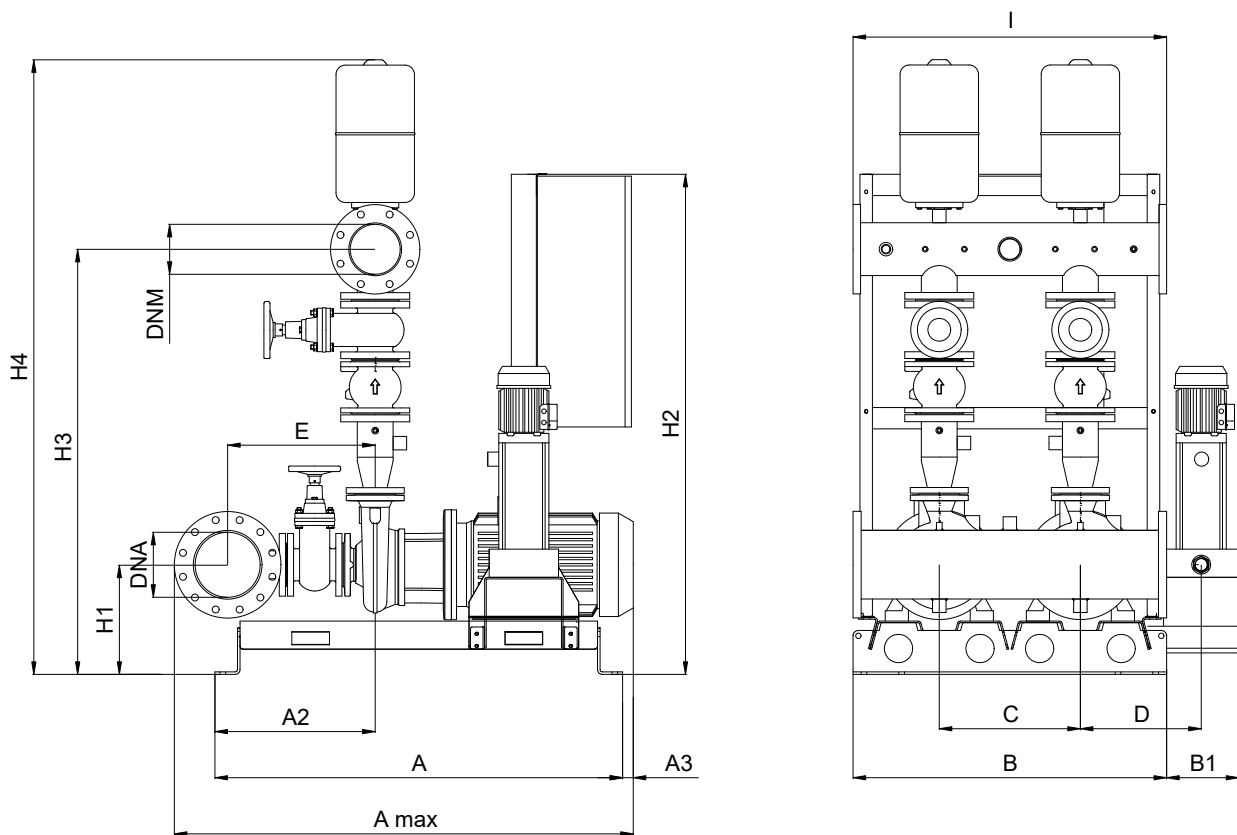
DAB PUMPS S.p.A.  
Via Marco Polo, 14 - 35035 Mestrino (PD), Italy  
Tel. +39 049 5125000 - Fax +39 049 5125950  
www.dabpumps.com

Receiver

From

Company  
Reference  
Address  
Phone  
Fax  
E-mail

## 2 NKP-G 40-250/230 IE3



WITHOUT the jockey pump, do not consider B1 and D.

Dimensions in mm					Pump connection	
1	A	1.300	I	1.000		
2	A2	445				Suction
3	Amax	1.368				DN 125
4	B	1.000				145 psi
5	C	450				
6	DNA	DN 125				
7	DNM	DN 100				Discharge
8	E	406				DN 100
9	H1	350				145 psi
10	H2	1.595				
11	H3	1.225				
12	H4	1.680				
MAIN_PROJECT_TITLE			BUSINESS_PROCESS_ID		OWNER_	ISSUE_DATE 2023-07-04