

Receiver

From

Company
Reference
Address
Phone
Fax
E-mail

Item n° : 60167425
Customer pos. no.:

Model : KDNE 32-200/200/A/BAQE/1/7,5/2 T MCE110/P IE3

Pump data

Impeller size : 200 mm
Coupling : Standard
MEI \geq 0,60
Pressure rating : PN 16
Min. fluid temperature : -10 °C
Max. fluid temperature : 140 °C
Max. Ambient temperature : 40 °C

Requested data

Flow :
Head :
Fluid (%) :
Fluid Temperature : 20 °C
Density : 998,3 kg/m³
Kinematic viscosity : 1,005 mm²/s
Vapor pressure : 0,34 psi

Hydraulic data (duty point)

Flow :
Head :

Materials

Pump body : Cast iron 250 UNI ISO 185
Impeller : Cast iron 250 UNI ISO 185
Pump shaft : AISI 420 - UNI 6900/71
O-Ring : Viton
Seal disk : Cast iron 250 UNI ISO 185
Mechanical seal : SEE "SHAFT SEAL" SECTION
Seal spacer : AISI 304 - UNI 6900/71

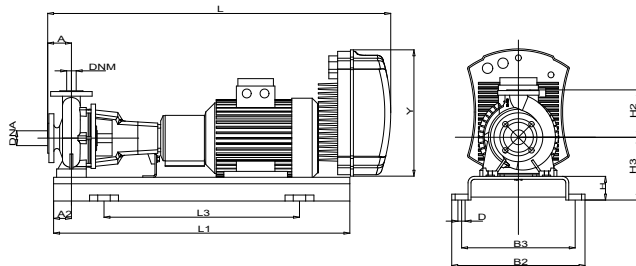
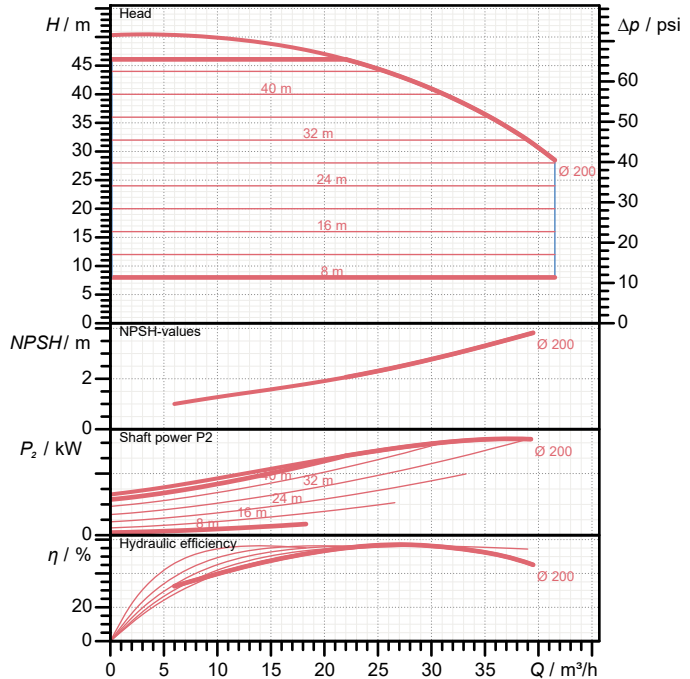
Shaft seal

Type : Rubber
Stationary part : Silicon carbide
Rotating part : Carbon
Elastomer : EPDM

Motor data

Nominal power P₂ : 7,5 kW
Rated speed : 2.900 1/min
Rated voltage : 3~ 400 V 50 Hz
Input current : 17,6 A
Degree of motor protection : IP 55

Curve tolerance according to ISO 9906



Weight : 190 kg

Dimensions in mm

A	80	H2	180
A2	60	H3	240
B2	450	L	-
B3	400	L1	1.000
D	24	L3	660
DNA	50	Y	426
DNM	32		
H	80		

Pump connection

Suction side : DN 50 / PN 16
Discharge side : DN 32 / PN 16



PERFORMANCE CURVES

2023-07-10

Page 2 / 3

DAB PUMPS S.p.A.
Via Marco Polo, 14 - 35035 Mestrino (PD), Italy
Tel. +39 049 5125000 - Fax +39 049 5125950
www.dabpumps.com

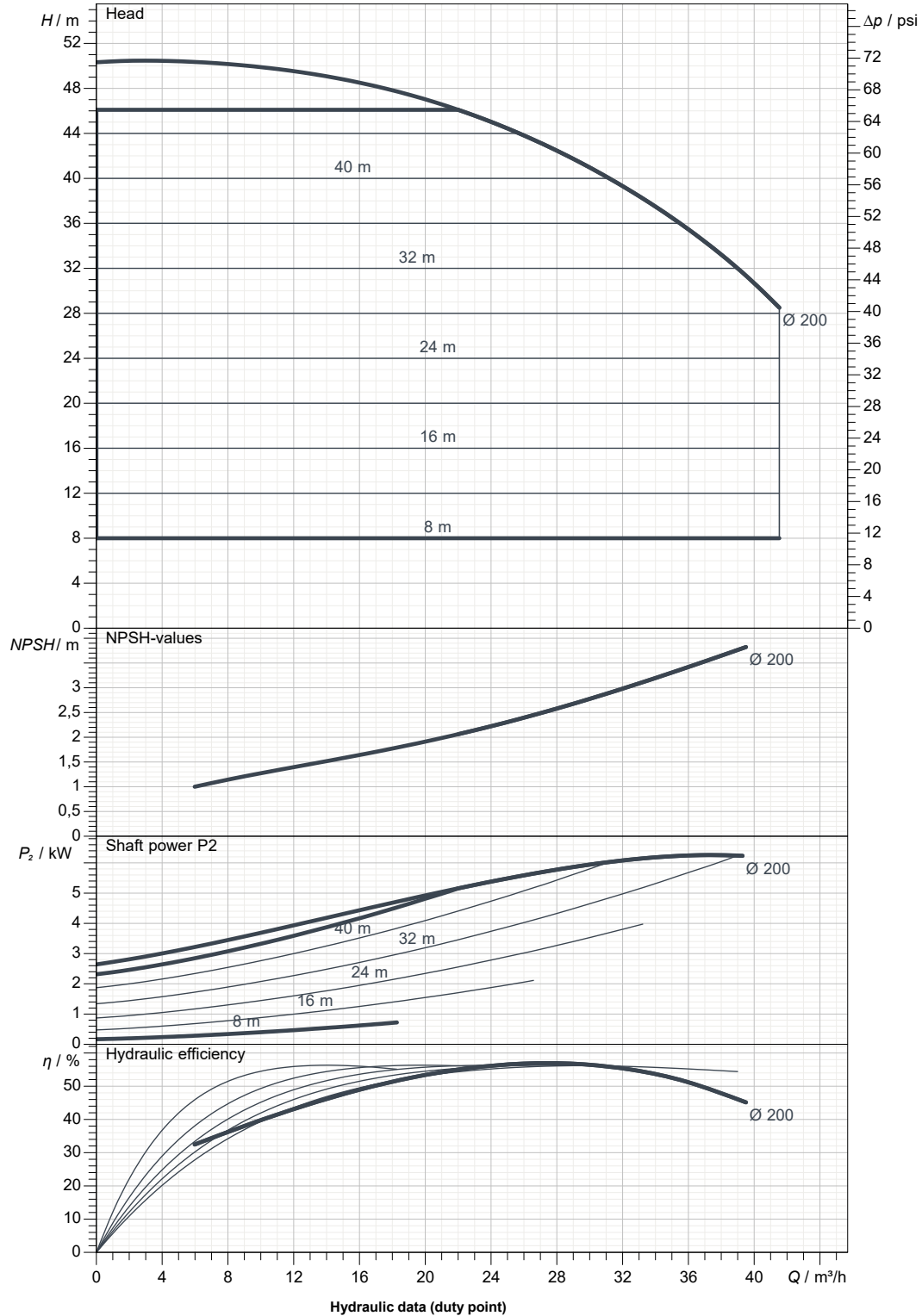
Receiver

From

Company
Reference
Address
Phone
Fax
E-mail

KDNE 32-200/200/A/BAQE/1/7,5/2 T MCE110/P IE3

Curve tolerance according to ISO 9906



Suction side :
DN 50
PN 16

Discharge side :
DN 32
PN 16

Flow :

Head :

Rated speed :
2.900 1/min

MAIN_PROJECT_TITLE

BUSINESS_PROCESS_ID

OWNER_

ISSUE_DATE

2023-07-10



DIMENSIONAL DRAWING

2023-07-10

Page 3 / 3

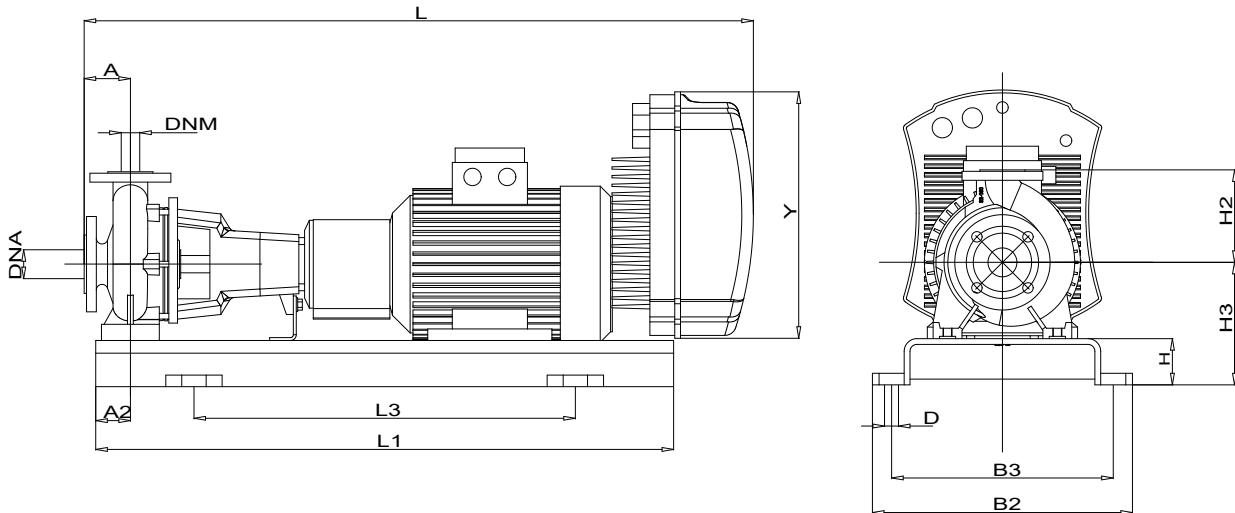
DAB PUMPS S.p.A.
Via Marco Polo, 14 - 35035 Mestrino (PD), Italy
Tel. +39 049 5125000 - Fax +39 049 5125950
www.dabpumps.com

Receiver

From

Company
Reference
Address
Phone
Fax
E-mail

KDNE 32-200/200/A/BAQE/1/7,5/2 T MCE110/P IE3



Dimensions in mm

Pump connection

1	A	80	L1	1.000			
2	A2	60	L3	660			Suction
3	B2	450	Y	426			DN 50
4	B3	400					PN 16
5	D	24					
6	DNA	50					Discharge
7	DNM	32					DN 32
8	H	80					PN 16
9	H2	180					
10	H3	240					
11	L	-					

MAIN_PROJECT_TITLE

BUSINESS_PROCESS_ID

OWNER

ISSUE_DATE

2023-07-10