

**Receiver**

**From**

Company  
Reference  
Address  
Phone  
Fax  
E-mail

**Item n° :** 60167426  
**Customer pos. no.:**

**Model :** KDNE 32-200/210/A/BAQE/1/11/2 T MCE110/P IE3

**Pump data**

Impeller size : 210 mm  
Coupling : Standard  
MEI  $\geq$  0,60  
Pressure rating : PN 16  
Min. fluid temperature : -10 °C  
Max. fluid temperature : 140 °C  
Max. Ambient temperature : 40 °C

**Requested data**

Flow :  
Head :  
Fluid (%) :  
Fluid Temperature : 20 °C  
Density : 998,3 kg/m<sup>3</sup>  
Kinematic viscosity : 1,005 mm<sup>2</sup>/s  
Vapor pressure : 0,34 psi

**Hydraulic data (duty point)**

Flow :  
Head :

**Materials**

Pump body : Cast iron 250 UNI ISO 185  
Impeller : Cast iron 250 UNI ISO 185  
Pump shaft : AISI 420 - UNI 6900/71  
O-Ring : Viton  
Seal disk : Cast iron 250 UNI ISO 185  
Mechanical seal : SEE "SHAFT SEAL" SECTION  
Seal spacer : AISI 304 - UNI 6900/71

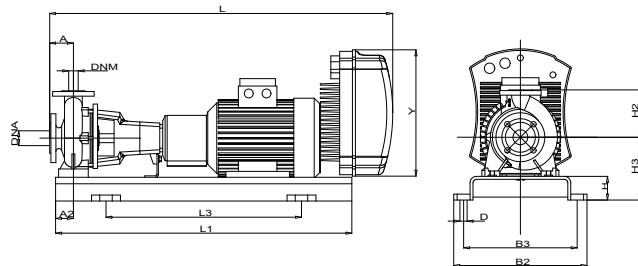
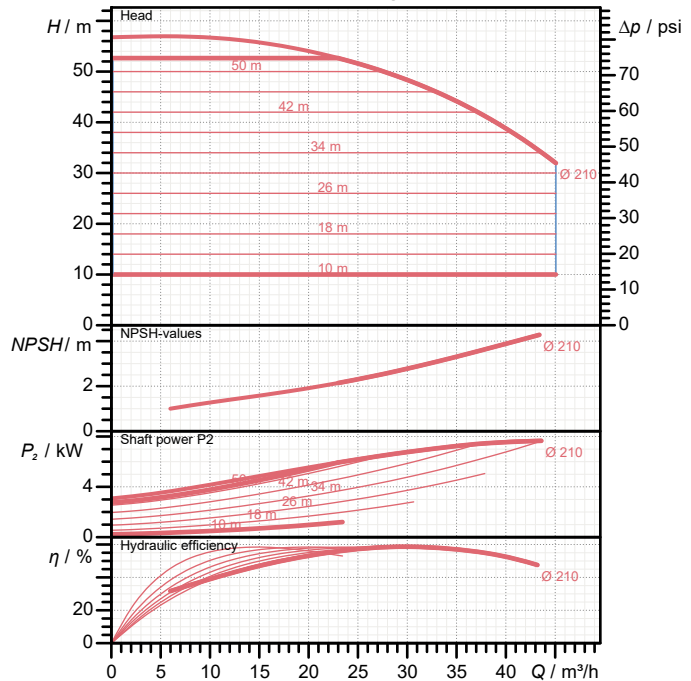
**Shaft seal**

Type : Rubber  
Stationary part : Silicon carbide  
Rotating part : Carbon  
Elastomer : EPDM

**Motor data**

Nominal power P<sub>2</sub> : 11 kW  
Rated speed : 2.940 1/min  
Rated voltage : 3~ 400 V 50 Hz  
Input current : 25,5 A  
Degree of motor protection : IP 55

**Curve tolerance according to ISO 9906**



**Weight :** 250 kg

**Dimensions in mm**

A	80	H2	180
A2	60	H3	240
B2	490	L	-
B3	440	L1	1.120
D	24	L3	740
DNA	50	Y	426
DNM	32		
H	80		

**Pump connection**

Suction side : DN 50 / PN 16  
Discharge side : DN 32 / PN 16



# PERFORMANCE CURVES

2023-07-10

Page 2 / 3

DAB PUMPS S.p.A.  
Via Marco Polo, 14 - 35035 Mestrino (PD), Italy  
Tel. +39 049 5125000 - Fax +39 049 5125950  
www.dabpumps.com

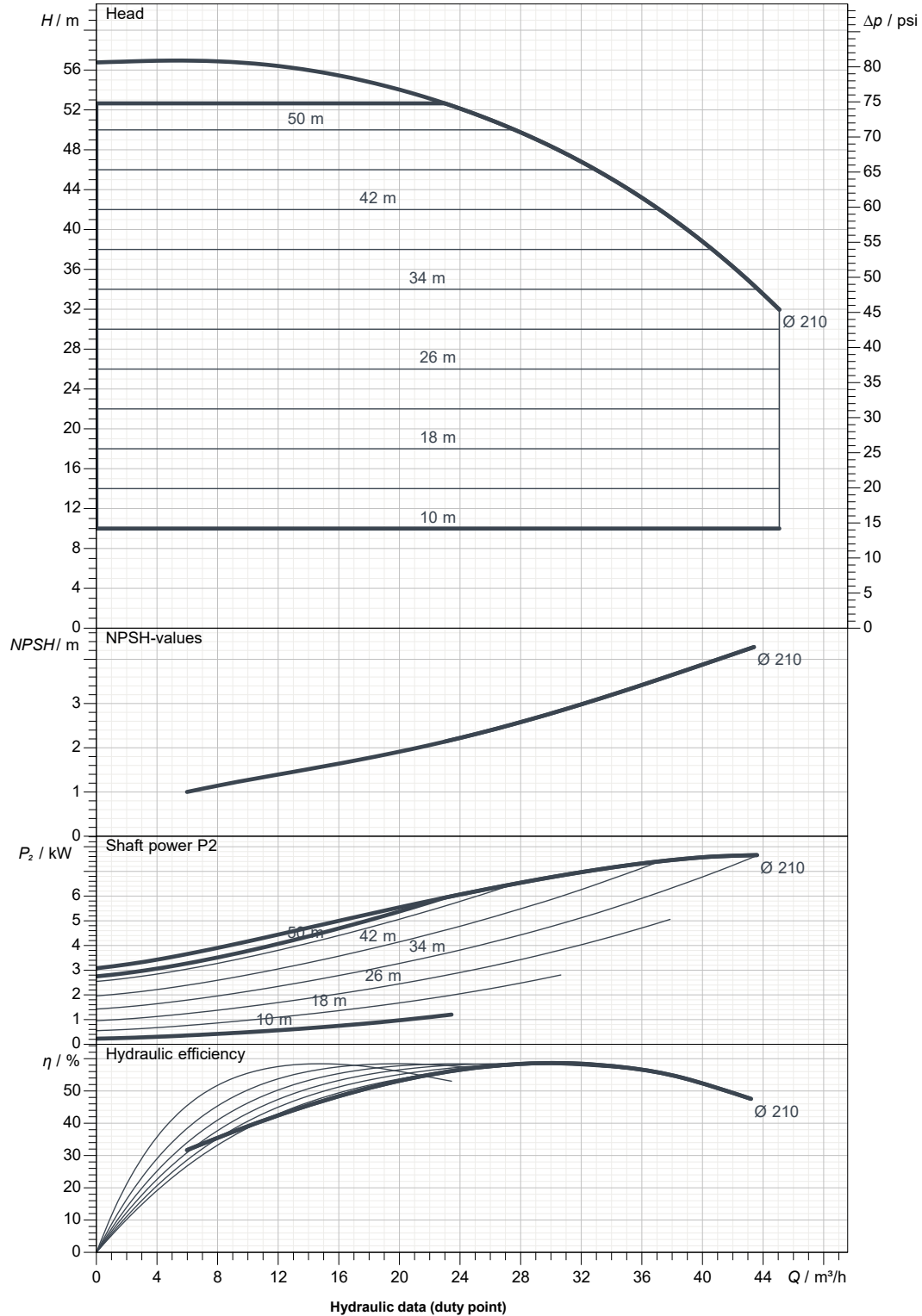
Receiver

From

Company  
Reference  
Address  
Phone  
Fax  
E-mail

**KDNE 32-200/210/A/BAQE/1/11/2 T MCE110/P IE3**

Curve tolerance according to ISO 9906



Suction side :  
DN 50  
PN 16

Discharge side :  
DN 32  
PN 16

Flow :

Head :

Rated speed :  
2.940 1/min

MAIN\_PROJECT\_TITLE

BUSINESS\_PROCESS\_ID

OWNER\_

ISSUE\_DATE

2023-07-10



# DIMENSIONAL DRAWING

2023-07-10

Page 3 / 3

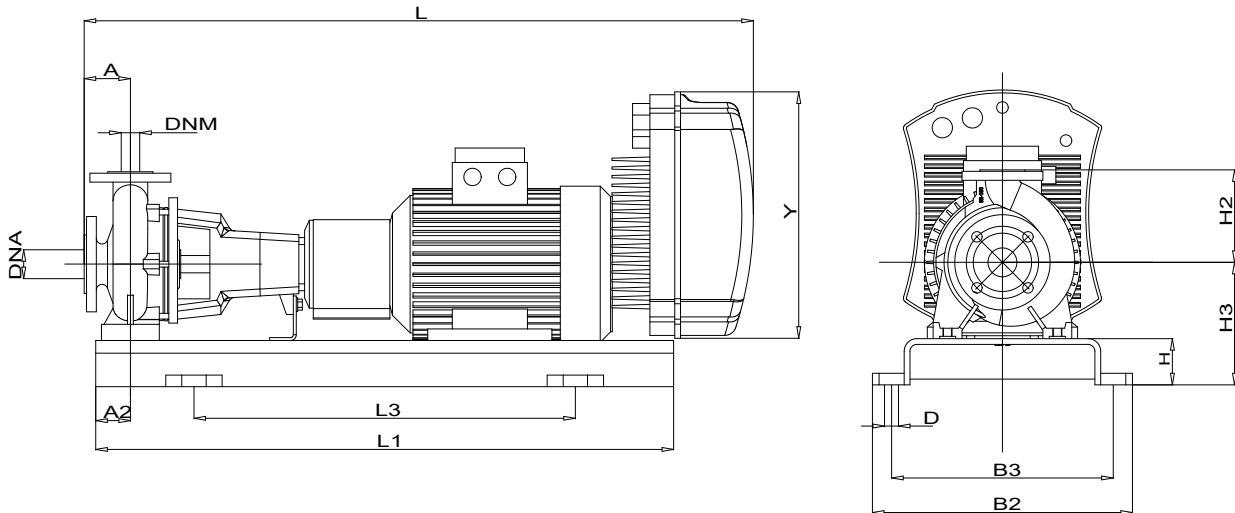
DAB PUMPS S.p.A.  
Via Marco Polo, 14 - 35035 Mestrino (PD), Italy  
Tel. +39 049 5125000 - Fax +39 049 5125950  
www.dabpumps.com

Receiver

From

Company  
Reference  
Address  
Phone  
Fax  
E-mail

## KDNE 32-200/210/A/BAQE/1/11/2 T MCE110/P IE3



### Dimensions in mm

### Pump connection

1	A	80	L1	1.120			
2	A2	60	L3	740			Suction
3	B2	490	Y	426			DN 50
4	B3	440					PN 16
5	D	24					
6	DNA	50					Discharge
7	DNM	32					DN 32
8	H	80					PN 16
9	H2	180					
10	H3	240					
11	L	-					

MAIN\_PROJECT\_TITLE

BUSINESS\_PROCESS\_ID

OWNER

ISSUE\_DATE

2023-07-10