

## Receiver

## From

Company  
Reference  
Address  
Phone  
Fax  
E-mail

**Item n° :** 60167441  
**Customer pos. no.:**

**Model :**  
KDNE 40-200/180/A/BAQE/1/7.5/2 T MCE110/P IE3

### Pump data

Impeller size : 180 mm  
Coupling : Standard  
MEI  $\geq$  0,50  
Pressure rating : PN 16  
Min. fluid temperature : -10 °C  
Max. fluid temperature : 140 °C  
Max. Ambient temperature : 40 °C

### Requested data

Flow :  
Head :  
Fluid (%) :  
Fluid Temperature : 20 °C  
Density : 998.3 kg/m<sup>3</sup>  
Kinematic viscosity : 1.005 mm<sup>2</sup>/s  
Vapor pressure : 2.34 kPa

### Hydraulic data (duty point)

Flow :  
Head :

### Materials

Pump body : Cast iron 250 UNI ISO 185  
Impeller : Cast iron 250 UNI ISO 185  
Pump shaft : AISI 420 - UNI 6900/71  
O-Ring : Viton  
Seal disk : Cast iron 250 UNI ISO 185  
Mechanical seal : SEE "SHAFT SEAL" SECTION  
Seal spacer : AISI 304 - UNI 6900/71

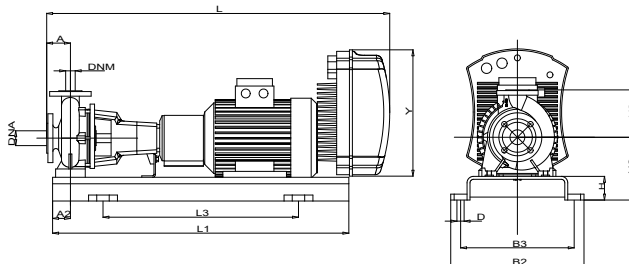
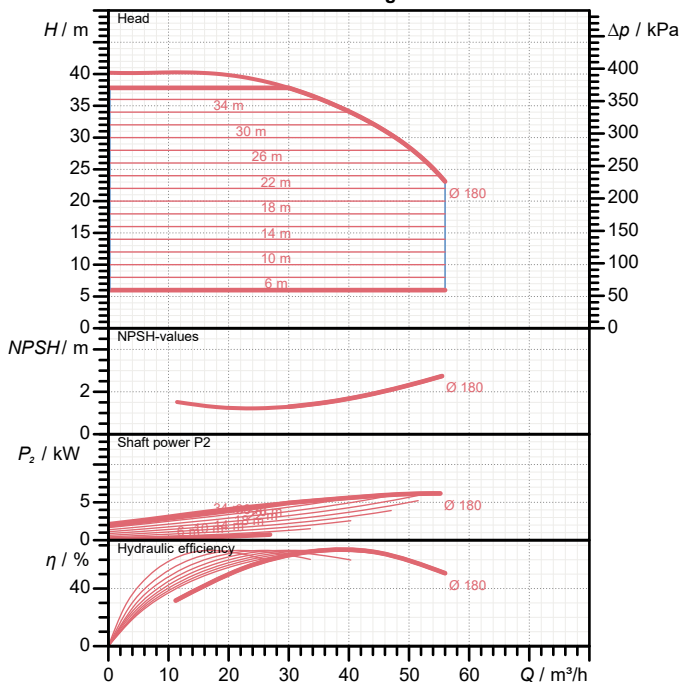
### Shaft seal

Type : Rubber  
Stationary part : Silicon carbide  
Rotating part : Carbon  
Elastomer : EPDM

### Motor data

Nominal power P<sub>2</sub> : 7.5 kW  
Rated speed : 2900 1/min  
Rated voltage : 3~ 400 V 50 Hz  
Input current : 17.6 A  
Degree of motor protection : IP 55

### Curve tolerance according to ISO 9906



**Weight :** 160 kg

### Dimensions in mm

A	100	H2	180
A2	60	H3	240
B2	490	L	-
B3	440	L1	1120
D	24	L3	740
DNA	65	Y	426
DNM	40		
H	80		

### Pump connection

Suction side : DN 65 / PN 16  
Discharge side : DN 40 / PN 16



# PERFORMANCE CURVES

2023-07-11

Page 2 / 3

DAB PUMPS S.p.A.  
Via Marco Polo, 14 - 35035 Mestrino (PD), Italy  
Tel. +39 049 5125000 - Fax +39 049 5125950  
www.dabpumps.com

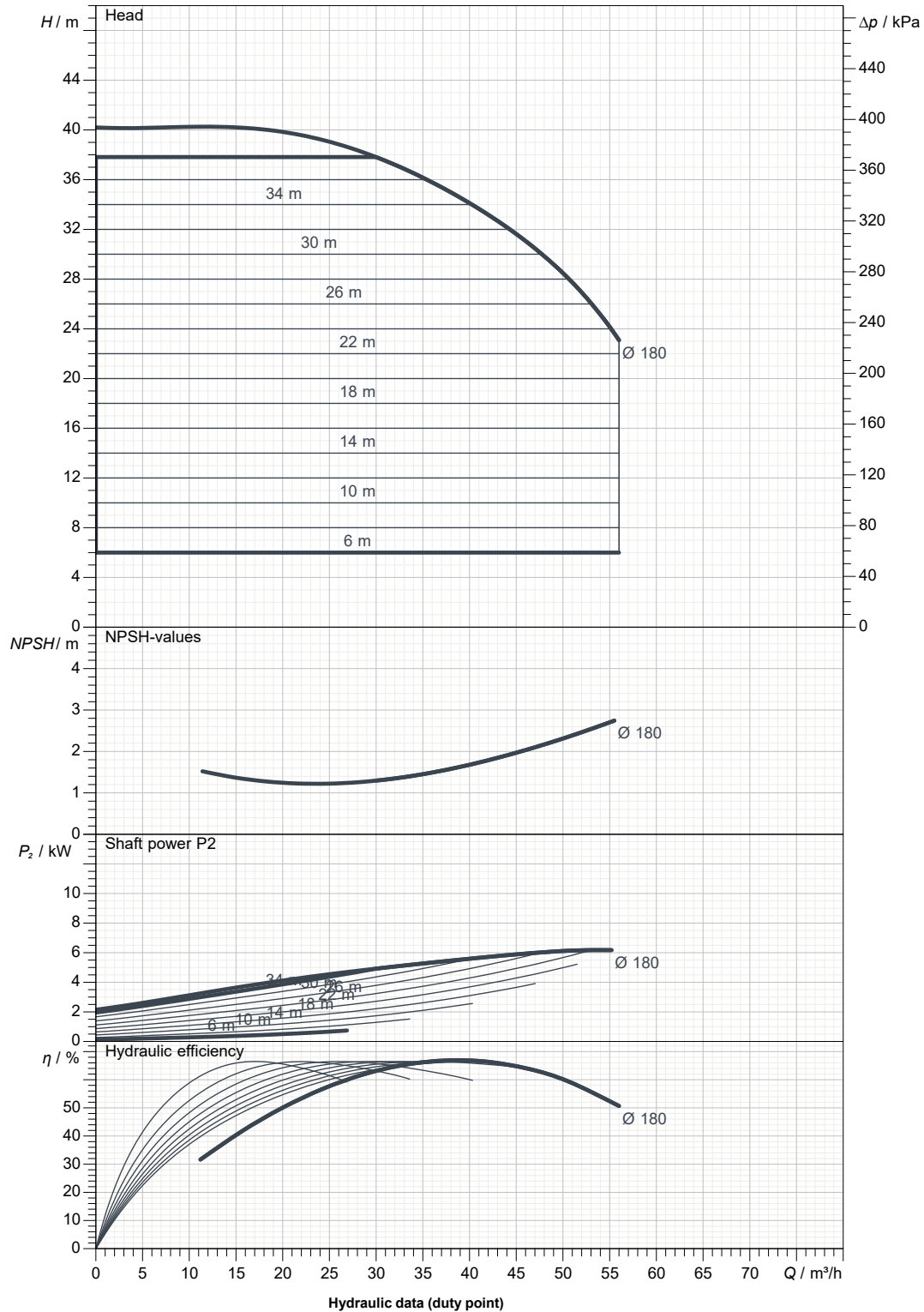
Receiver

From

Company  
Reference  
Address  
Phone  
Fax  
E-mail

**KDNE 40-200/180/A/BAQE/1/7.5/2 T MCE110/P IE3**

Curve tolerance according to ISO 9906



Suction side :  
DN 65  
PN 16

Discharge side :  
DN 40  
PN 16

Flow :

Head :

Rated speed :  
2900 1/min

MAIN\_PROJECT\_TITLE

BUSINESS\_PROCESS\_ID

OWNER\_

ISSUE\_DATE

2023-07-11



# DIMENSIONAL DRAWING

2023-07-11

Page 3 / 3

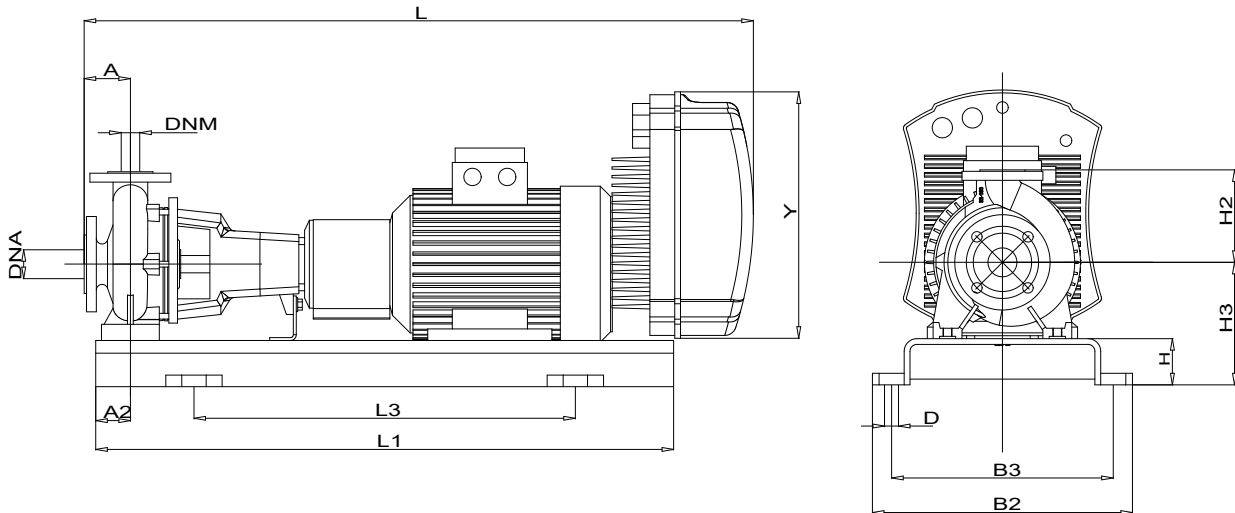
DAB PUMPS S.p.A.  
Via Marco Polo, 14 - 35035 Mestrino (PD), Italy  
Tel. +39 049 5125000 - Fax +39 049 5125950  
www.dabpumps.com

Receiver

From

Company  
Reference  
Address  
Phone  
Fax  
E-mail

## KDNE 40-200/180/A/BAQE/1/7.5/2 T MCE110/P IE3



Dimensions in mm						Pump connection
1	A	100	L1	1120		Suction DN 65 PN 16  Discharge DN 40 PN 16
2	A2	60	L3	740		
3	B2	490	Y	426		
4	B3	440				
5	D	24				
6	DNA	65				
7	DNM	40				
8	H	80				
9	H2	180				
10	H3	240				
11	L	-				

MAIN_PROJECT_TITLE	BUSINESS_PROCESS_ID	OWNER	ISSUE_DATE <b>2023-07-11</b>
--------------------	---------------------	-------	---------------------------------