

Receiver

From

Company
Reference
Address
Phone
Fax
E-mail

Item n° : 60167447
Customer pos. no.:

Model : KDNE 50-125/144/A/BAQE/1/11/2 T MCE110/P IE3

Pump data

Impeller size : 144 mm
Coupling : Standard
MEI \geq 0,40
Pressure rating : PN 16
Min. fluid temperature : -10 °C
Max. fluid temperature : 140 °C
Max. Ambient temperature : 40 °C

Requested data

Flow :
Head :
Fluid (%) :
Fluid Temperature : 20 °C
Density : 998.3 kg/m³
Kinematic viscosity : 1.005 mm²/s
Vapor pressure : 2.34 kPa

Hydraulic data (duty point)

Flow :
Head :

Materials

Pump body : Cast iron 250 UNI ISO 185
Impeller : Cast iron 250 UNI ISO 185
Pump shaft : AISI 420 - UNI 6900/71
O-Ring : Viton
Seal disk : Cast iron 250 UNI ISO 185
Mechanical seal : SEE "SHAFT SEAL" SECTION
Seal spacer : AISI 304 - UNI 6900/71

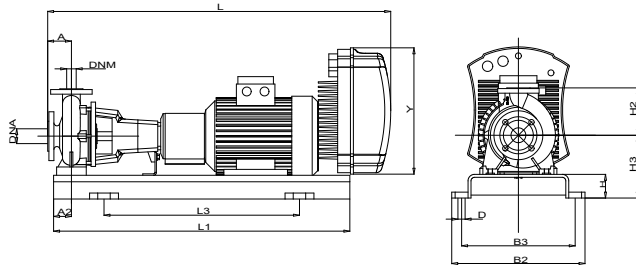
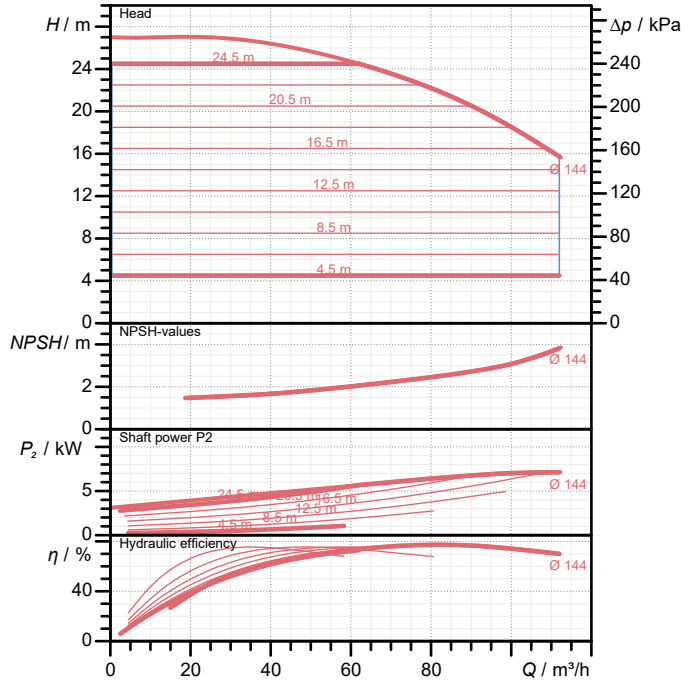
Shaft seal

Type : Rubber
Stationary part : Silicon carbide
Rotating part : Carbon
Elastomer : EPDM

Motor data

Nominal power P₂ : 11 kW
Rated speed : 2940 1/min
Rated voltage : 3~ 400 V 50 Hz
Input current : 25.5 A
Degree of motor protection : IP 55

Curve tolerance according to ISO 9906



Weight : 159 kg

Dimensions in mm

A	100	H2	180
A2	60	H3	240
B2	490	L	-
B3	440	L1	1120
D	24	L3	740
DNA	65	Y	426
DNM	50		
H	80		

Pump connection

Suction side : DN 65 / PN 16
Discharge side : DN 50 / PN 16

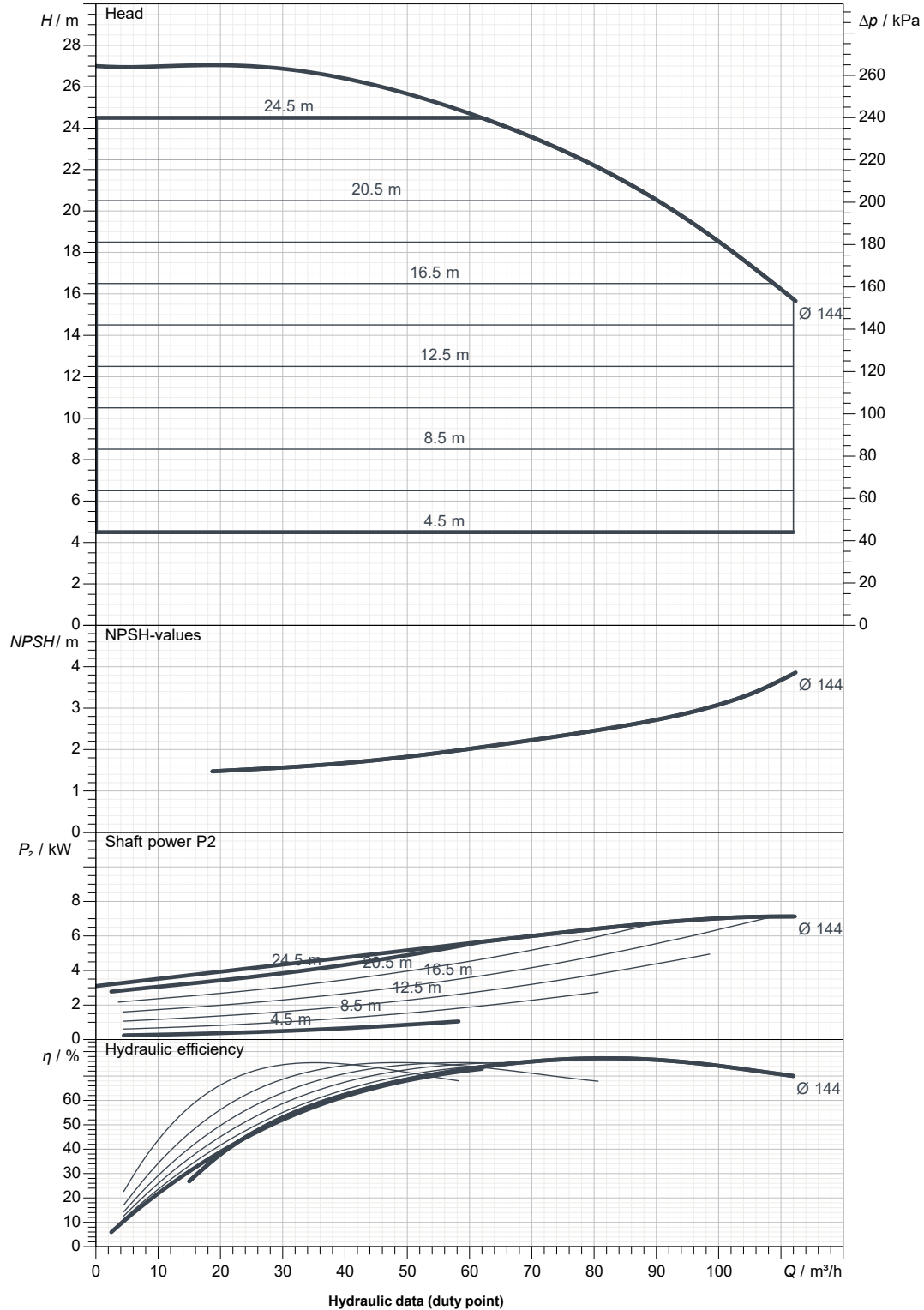
Receiver

From

Company
Reference
Address
Phone
Fax
E-mail

KDNE 50-125/144/A/BAQE/1/11/2 T MCE110/P IE3

Curve tolerance according to ISO 9906



Suction side :
DN 65
PN 16

Discharge side :
DN 50
PN 16

Flow :

Head :

Rated speed :
2940 1/min

MAIN_PROJECT_TITLE

BUSINESS_PROCESS_ID

OWNER_

ISSUE_DATE

2023-07-11



DIMENSIONAL DRAWING

2023-07-11

Page 3 / 3

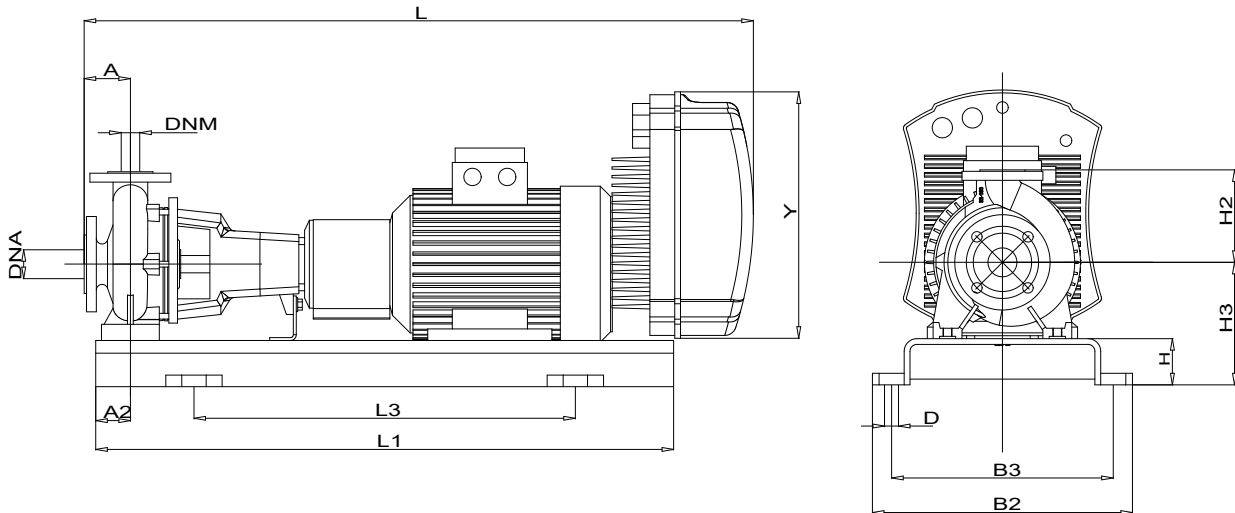
DAB PUMPS S.p.A.
Via Marco Polo, 14 - 35035 Mestrino (PD), Italy
Tel. +39 049 5125000 - Fax +39 049 5125950
www.dabpumps.com

Receiver

From

Company
Reference
Address
Phone
Fax
E-mail

KDNE 50-125/144/A/BAQE/1/11/2 T MCE110/P IE3



Dimensions in mm						Pump connection
1	A	100	L1	1120		Suction DN 65 PN 16 Discharge DN 50 PN 16
2	A2	60	L3	740		
3	B2	490	Y	426		
4	B3	440				
5	D	24				
6	DNA	65				
7	DNM	50				
8	H	80				
9	H2	180				
10	H3	240				
11	L	-				

MAIN_PROJECT_TITLE	BUSINESS_PROCESS_ID	OWNER	ISSUE_DATE 2023-07-11
--------------------	---------------------	-------	---------------------------------