

**Receiver**

**From**

Company  
Reference  
Address  
Phone  
Fax  
E-mail

**Item n° :**                                      **Customer pos. no.:**  
60167452

**Model :**  
KDNE 50-200/190/A/BAQE/1/15/2 T MCE150/P IE3

**Pump data**

Impeller size :                                      190 mm  
Coupling :    Standard

MEI  $\geq$  0,40  
Pressure rating :                                      PN 16  
Min. fluid temperature :                              -10 °C  
Max. fluid temperature :                              140 °C  
Max. Ambient temperature :                              40 °C

**Requested data**

Flow :  
Head :  
Fluid (%) :  
Fluid Temperature :                                      20 °C  
Density :    998,3 kg/m<sup>3</sup>  
Kinematic viscosity :                                      1,005 mm<sup>2</sup>/s  
Vapor pressure :    0,34 psi

**Hydraulic data (duty point)**

Flow :  
Head :

**Materials**

Pump body    Cast iron 250 UNI ISO 185  
Impeller    Cast iron 250 UNI ISO 185  
Pump shaft    AISI 420 - UNI 6900/71  
O-Ring    Viton  
Seal disk    Cast iron 250 UNI ISO 185  
Mechanical seal    SEE "SHAFT SEAL" SECTION  
Seal spacer    AISI 304 - UNI 6900/71

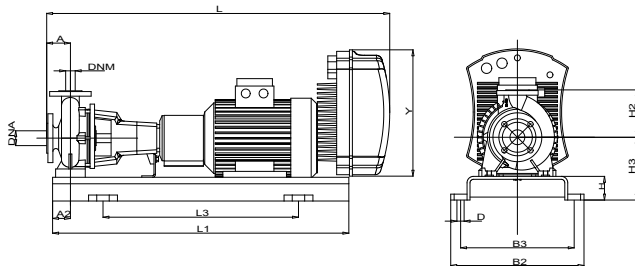
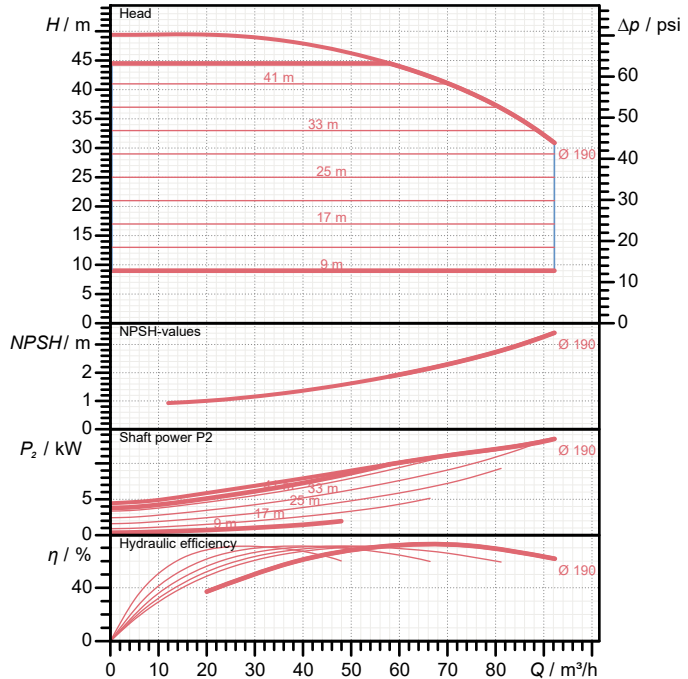
**Shaft seal**

Type    Rubber  
Stationary part    Silicon carbide  
Rotating part    Carbon  
Elastomer    EPDM

**Motor data**

Nominal power P2 :                                      15 kW  
Rated speed :    2.941 1/min  
Rated voltage :    3~ 400 V                                      50 Hz  
Input current :    34 A  
Degree of motor protection :                                      IP 55

**Curve tolerance according to ISO 9906**



**Weight :**                                      293 kg

**Dimensions in mm**

A	100	H2	200		
A2	60	H3	240		
B2	490	L	-		
B3	440	L1	1.120		
D	24	L3	740		
DNA	65	Y	426		
DNM	50				
H	80				

**Pump connection**

Suction side :                                      DN 65 / PN 16  
Discharge side :                                      DN 50 / PN 16



# PERFORMANCE CURVES

2023-07-11

Page 2 / 3

DAB PUMPS S.p.A.  
Via Marco Polo, 14 - 35035 Mestrino (PD), Italy  
Tel. +39 049 5125000 - Fax +39 049 5125950  
www.dabpumps.com

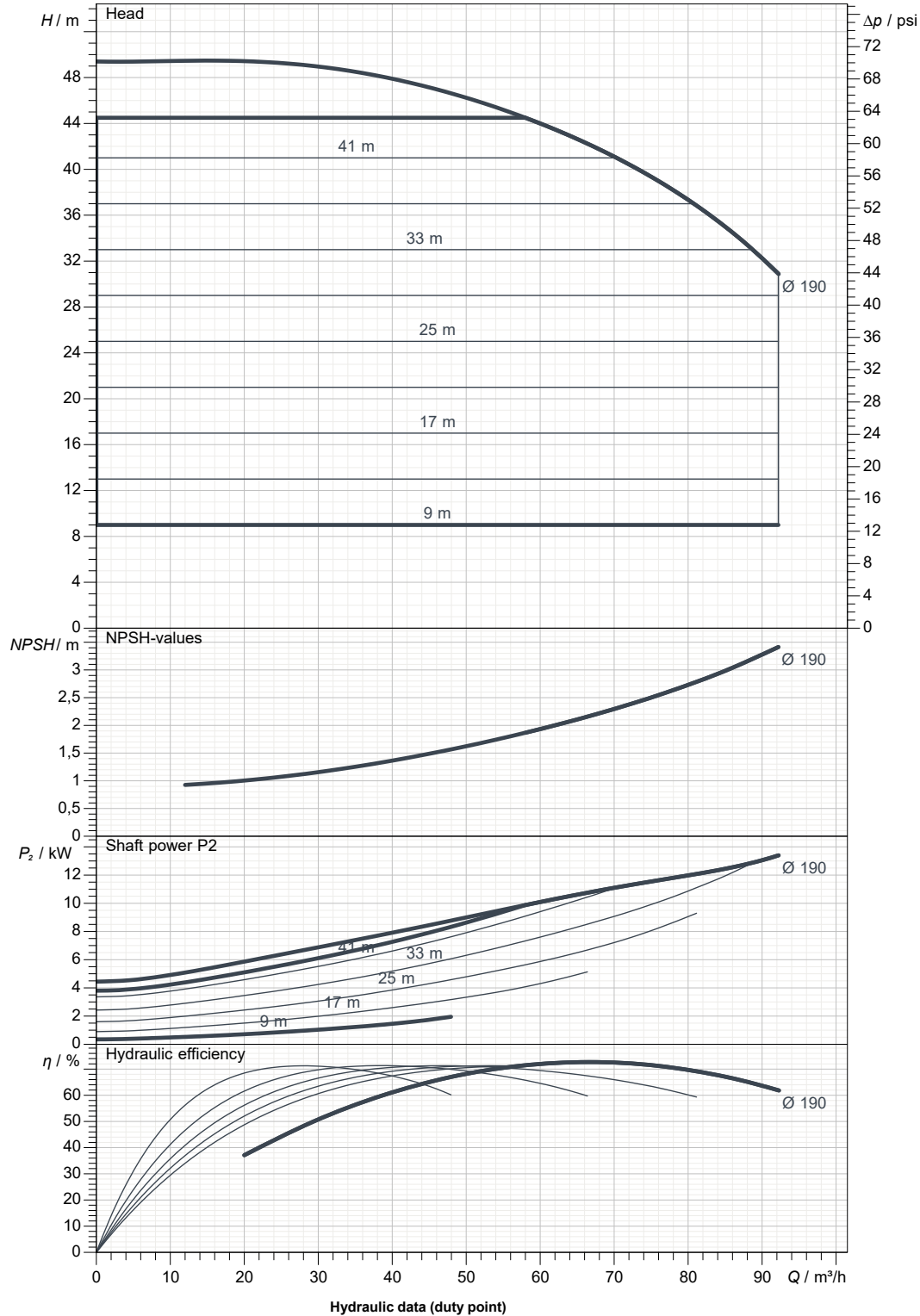
Receiver

From

Company  
Reference  
Address  
Phone  
Fax  
E-mail

**KDNE 50-200/190/A/BAQE/1/15/2 T MCE150/P IE3**

Curve tolerance according to ISO 9906



Suction side :  
DN 65  
PN 16

Discharge side :  
DN 50  
PN 16

Flow :

Head :

Rated speed :  
2.941 1/min

MAIN\_PROJECT\_TITLE

BUSINESS\_PROCESS\_ID

OWNER\_

ISSUE\_DATE

2023-07-11



# DIMENSIONAL DRAWING

2023-07-11

Page 3 / 3

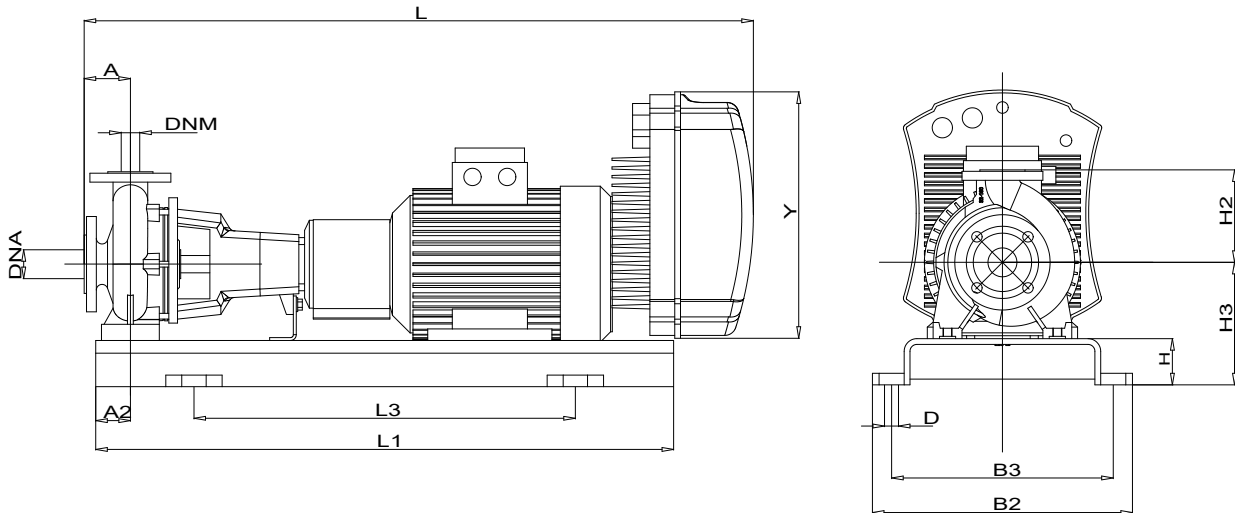
DAB PUMPS S.p.A.  
Via Marco Polo, 14 - 35035 Mestrino (PD), Italy  
Tel. +39 049 5125000 - Fax +39 049 5125950  
www.dabpumps.com

Receiver

From

Company  
Reference  
Address  
Phone  
Fax  
E-mail

## KDNE 50-200/190/A/BAQE/1/15/2 T MCE150/P IE3



Dimensions in mm						Pump connection	
1	A	100	L1	1.120		Suction DN 65 PN 16  Discharge DN 50 PN 16	
2	A2	60	L3	740			
3	B2	490	Y	426			
4	B3	440					
5	D	24					
6	DNA	65					
7	DNM	50					
8	H	80					
9	H2	200					
10	H3	240					
11	L	-					
MAIN_PROJECT_TITLE			BUSINESS_PROCESS_ID		OWNER_	ISSUE_DATE <b>2023-07-11</b>	