

Receiver

From

Company
Reference
Address
Phone
Fax
E-mail

Item n° : 60167454
Customer pos. no.:

Model :
KDNE 65-125/144/A/BAQE/1/11/2 T MCE110/P IE3

Pump data

Impeller size : 144 mm
Coupling : Standard
MEI \geq 0,40
Pressure rating : PN 16
Min. fluid temperature : -10 °C
Max. fluid temperature : 140 °C
Max. Ambient temperature : 40 °C

Requested data

Flow :
Head :
Fluid (%) :
Fluid Temperature : 20 °C
Density : 998,3 kg/m³
Kinematic viscosity : 1,005 mm²/s
Vapor pressure : 0,34 psi

Hydraulic data (duty point)

Flow :
Head :

Materials

Pump body : Cast iron 250 UNI ISO 185
Impeller : Cast iron 250 UNI ISO 185
Pump shaft : AISI 420 - UNI 6900/71
O-Ring : Viton
Seal disk : Cast iron 250 UNI ISO 185
Mechanical seal : SEE "SHAFT SEAL" SECTION
Seal spacer : AISI 304 - UNI 6900/71

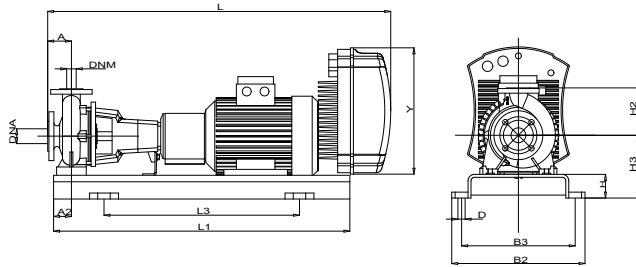
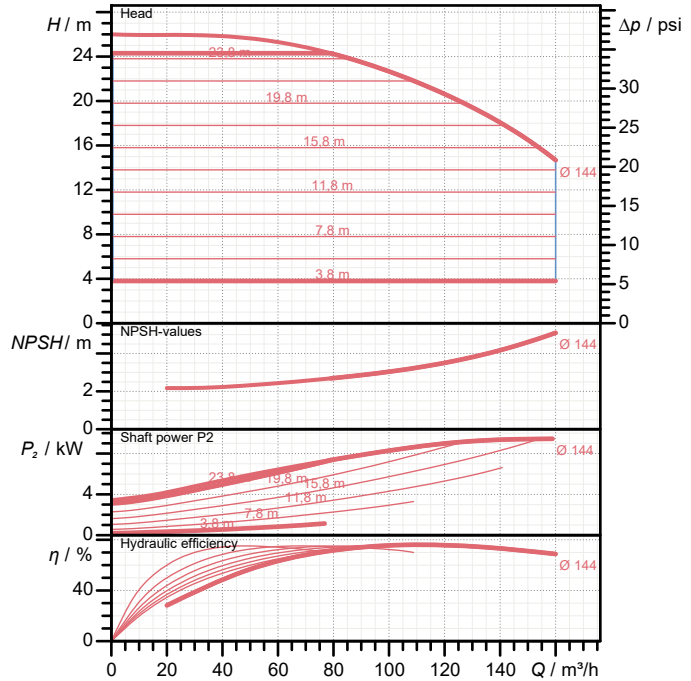
Shaft seal

Type : Rubber
Stationary part : Silicon carbide
Rotating part : Carbon
Elastomer : EPDM

Motor data

Nominal power P₂ : 11 kW
Rated speed : 2.940 1/min
Rated voltage : 3~ 400 V 50 Hz
Input current : 25,5 A
Degree of motor protection : IP 55

Curve tolerance according to ISO 9906



Weight : 188 kg

Dimensions in mm

| | | | |
|-----|-----|----|-------|
| A | 100 | H2 | 180 |
| A2 | 60 | H3 | 240 |
| B2 | 490 | L | - |
| B3 | 440 | L1 | 1.120 |
| D | 24 | L3 | 740 |
| DNA | 80 | Y | 426 |
| DNM | 65 | | |
| H | 80 | | |

Pump connection

Suction side : DN 80 / PN 16
Discharge side : DN 65 / PN 16



PERFORMANCE CURVES

2023-07-11

Page 2 / 3

DAB PUMPS S.p.A.
Via Marco Polo, 14 - 35035 Mestrino (PD), Italy
Tel. +39 049 5125000 - Fax +39 049 5125950
www.dabpumps.com

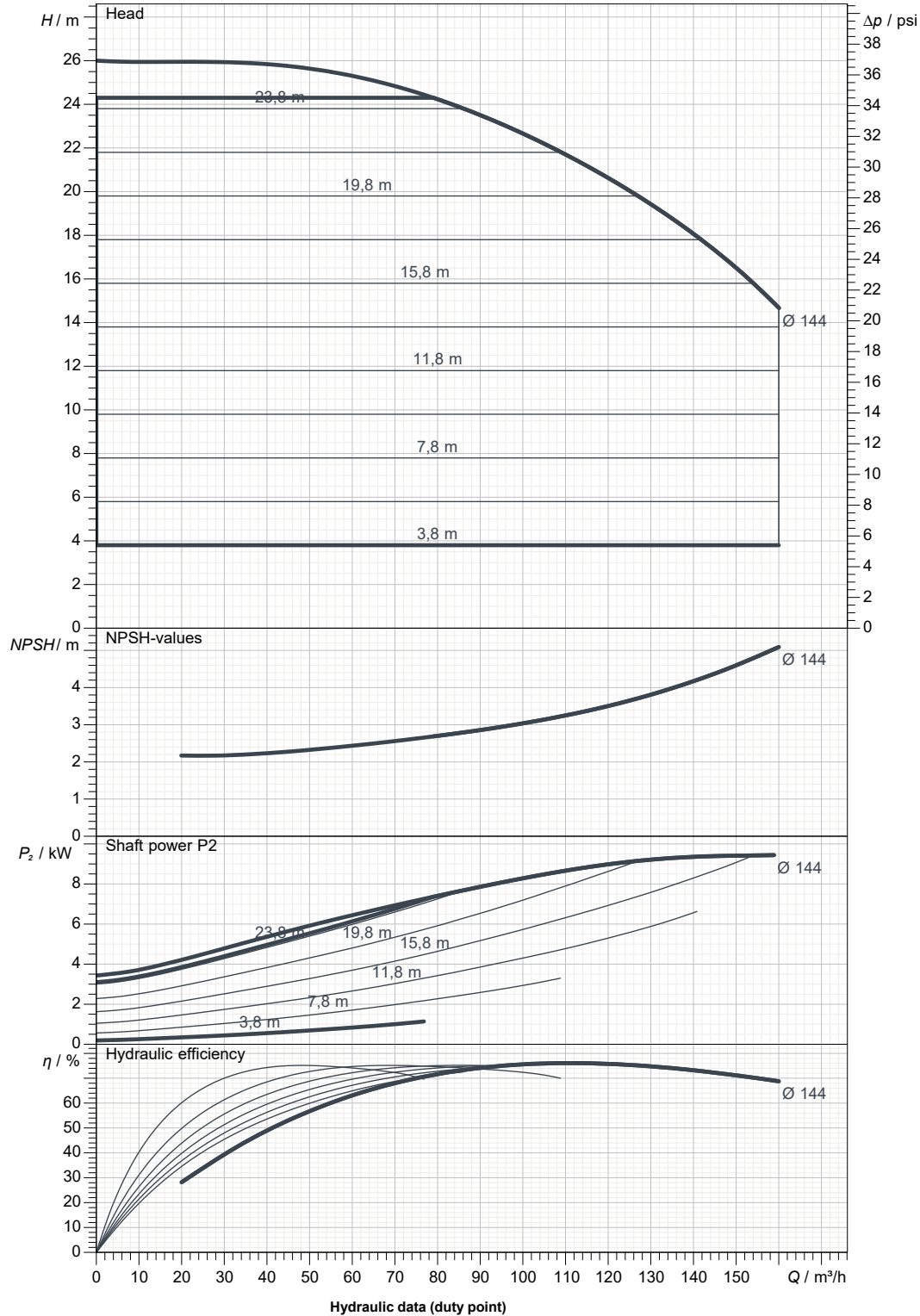
Receiver

From

Company
Reference
Address
Phone
Fax
E-mail

KDNE 65-125/144/A/BAQE/1/11/2 T MCE110/P IE3

Curve tolerance according to ISO 9906



Suction side :
DN 80
PN 16

Discharge side :
DN 65
PN 16

Flow :

Head :

Rated speed :
2.940 1/min

MAIN_PROJECT_TITLE

BUSINESS_PROCESS_ID

OWNER_

ISSUE_DATE

2023-07-11



DIMENSIONAL DRAWING

2023-07-11

Page 3 / 3

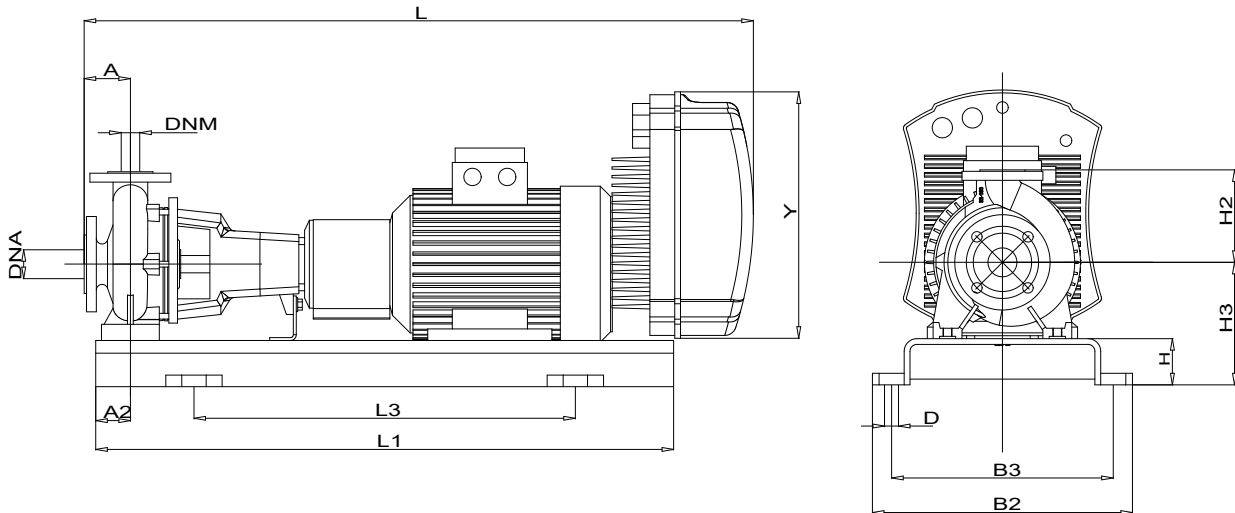
DAB PUMPS S.p.A.
Via Marco Polo, 14 - 35035 Mestrino (PD), Italy
Tel. +39 049 5125000 - Fax +39 049 5125950
www.dabpumps.com

Receiver

From

Company
Reference
Address
Phone
Fax
E-mail

KDNE 65-125/144/A/BAQE/1/11/2 T MCE110/P IE3



| Dimensions in mm | | | | | | Pump connection |
|------------------|-----|-----|----|-------|--|--|
| 1 | A | 100 | L1 | 1.120 | | Suction DN 80 PN 16 Discharge DN 65 PN 16 |
| 2 | A2 | 60 | L3 | 740 | | |
| 3 | B2 | 490 | Y | 426 | | |
| 4 | B3 | 440 | | | | |
| 5 | D | 24 | | | | |
| 6 | DNA | 80 | | | | |
| 7 | DNM | 65 | | | | |
| 8 | H | 80 | | | | |
| 9 | H2 | 180 | | | | |
| 10 | H3 | 240 | | | | |
| 11 | L | - | | | | |

| | | | |
|--------------------|---------------------|-------|---------------------------------|
| MAIN_PROJECT_TITLE | BUSINESS_PROCESS_ID | OWNER | ISSUE_DATE 2023-07-11 |
|--------------------|---------------------|-------|---------------------------------|